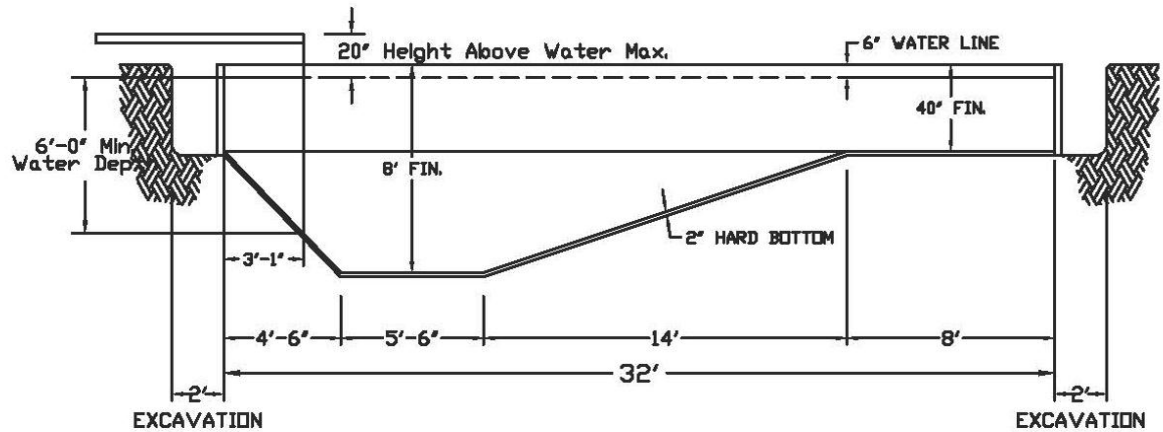


OVER DIG
DIMENSIONS
20' x 36'
DIAGONAL
41'-2 1/4"

Max. Length of
Diving Board 8'
Jump Board 6'

N.S.P.I TYPE II DIVING



Classic Series
RoyalSwimmingPools.com
877-602-7067

16x32 Rectangle 4ft. Rad.

DRAWN BY: FL	Revisions	PER: 89'-2"
DATE: 25-01-2007	1	S.A.: 498.265 ft ²
SCALE: NTS	2	VOL:
DRAWING NUMBER:		APPROVED:
ALP1632-RE407		