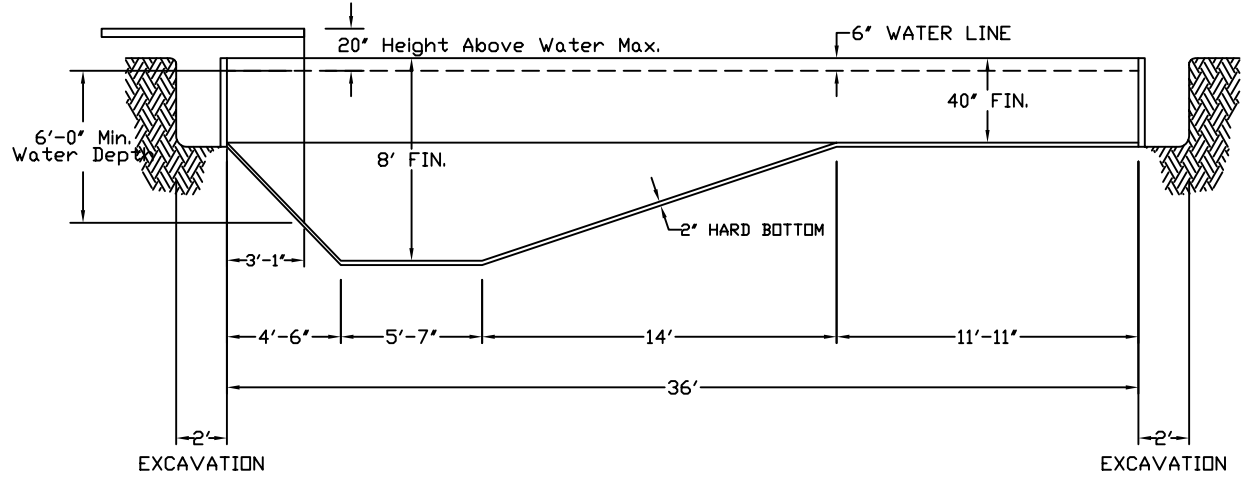


Max. Length of  
Diving Board 8'  
Jump Board 6'

OVER DIG  
DIMENSIONS  
20 x 40  
DIAGONAL  
44'-8 5/8"

# N.S.P.I. TYPE II DIVING



877-602-7067

16x36 RECTANGLE 2ft.Rad

Revisions	PER.:	100' -8"
1	S.A.:	572.566 ft³
2	VOL.:	
APPROVED:		

SCALE: 1/8" = 1'

DRAWING NUMBER: ALP1636-RE203