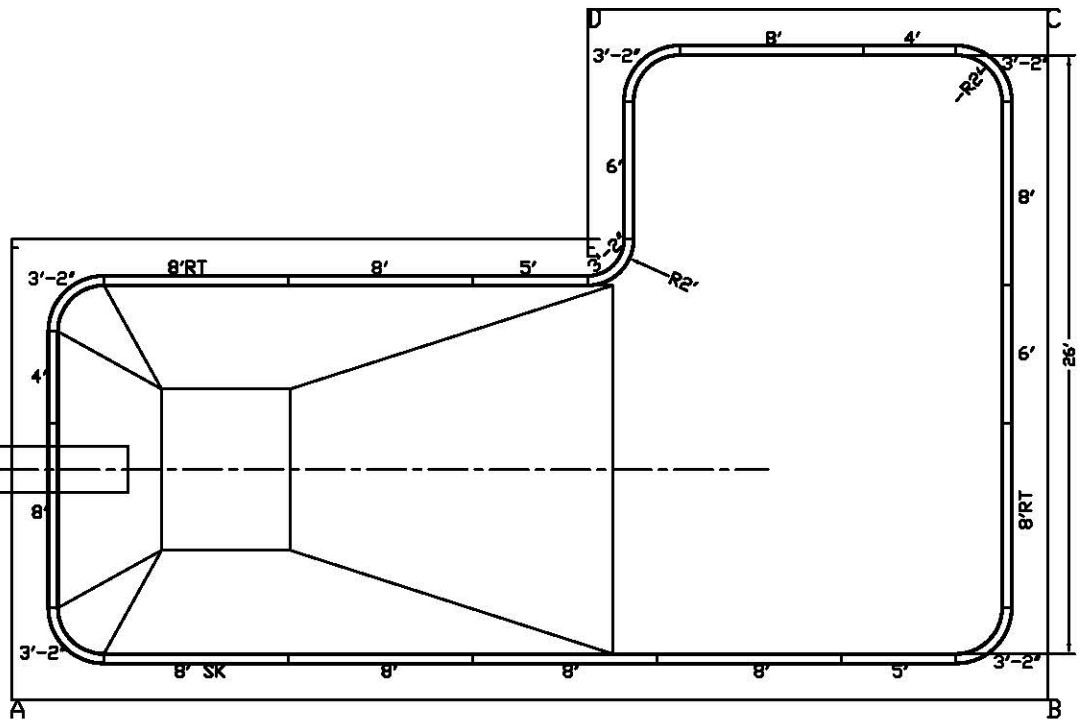


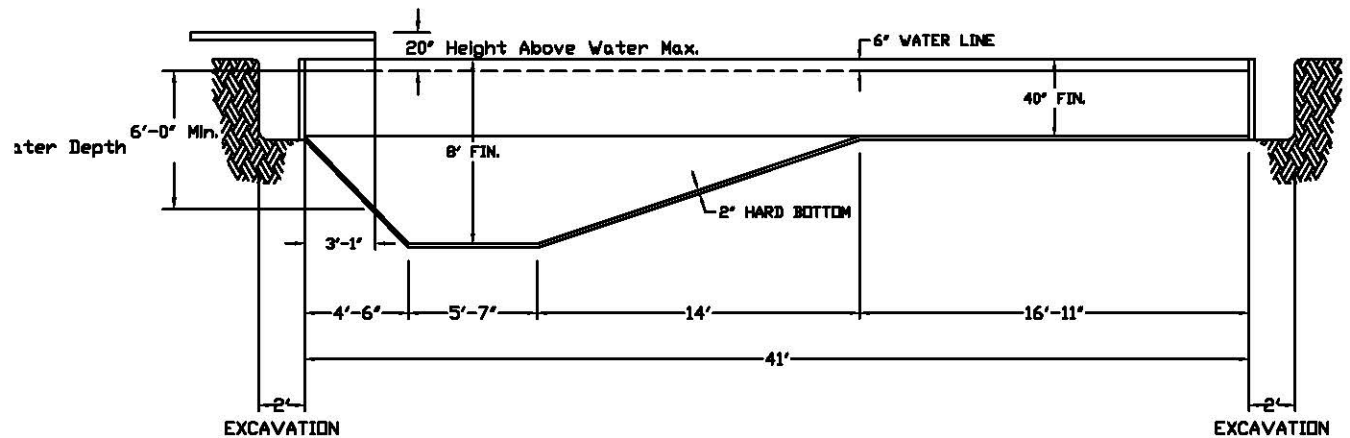
Max. Length of Diving Board 8'
Jump Board 6'



STAKE OUT	
A-C	54'-1"
A-E	32'-0 1/8"
B-D	36'-0 5/8"
B-E	28'-3 3/8"
B-F	49'-2 7/8"
C-E	22'-4 3/8"

Polymer pool kits have maximum 6' panel length

N.S.P.I. TYPE II DIVING



Classic Series

RoyalSwimmingPools.com

877-602-7067

16x41x26 SQUARE-L Right

DRAWN BY: NM	Revisions	PER: 128' -10'
DATE: 2/02/07	1 01/25/07 NM	S.A.: 812,566 ft ³
SCALE: NTS	2 -	VOL: 1
DRAWING NUMBER:	APPROVED:	
ALP1641RSL207		