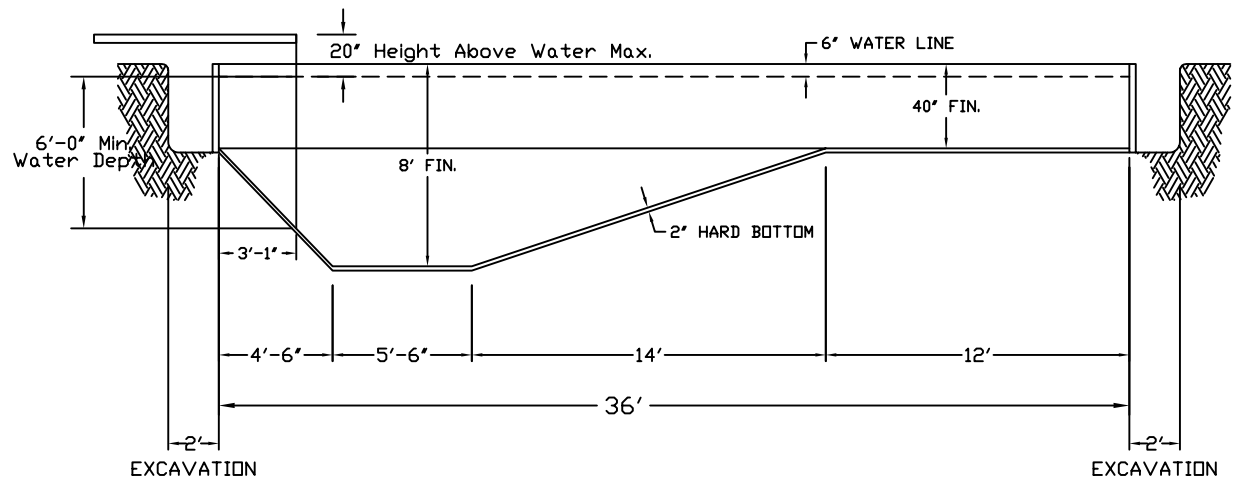


Max. Length of
Diving Board 8'
Jump Board 6'

OVER DIG
DIMENSIONS
22' x 40'
DIAGONAL
45'-7 3/4"

N.S.P.I. TYPE II DIVING



 **ROYAL SWIMMING POOLS**
Hot Tubs, Saunas, Games and More

877-602-7067

18x36 Rectangle 6in. Rad.

DRAWING NUMBER:	PER:	107'
ALP1836-RE607	S.A.:	648ft ²