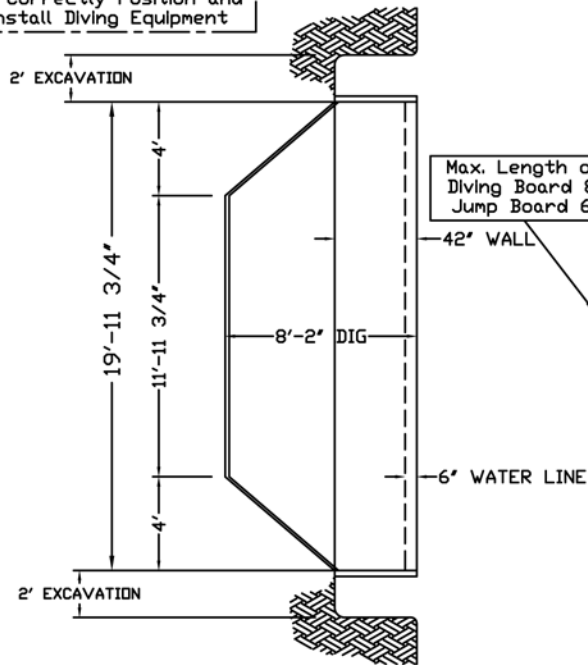
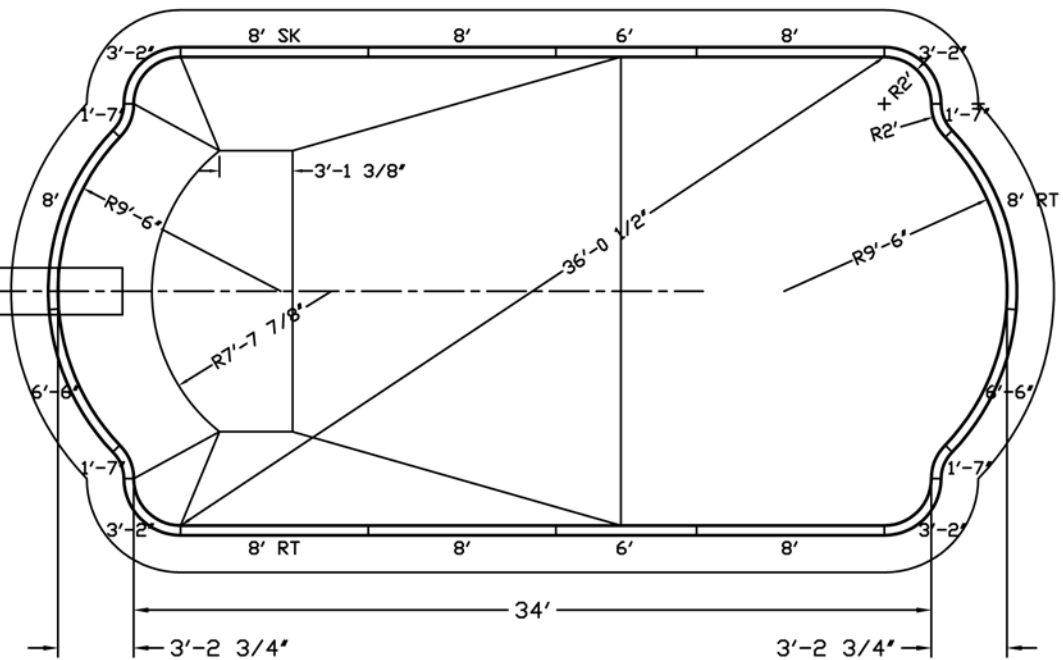


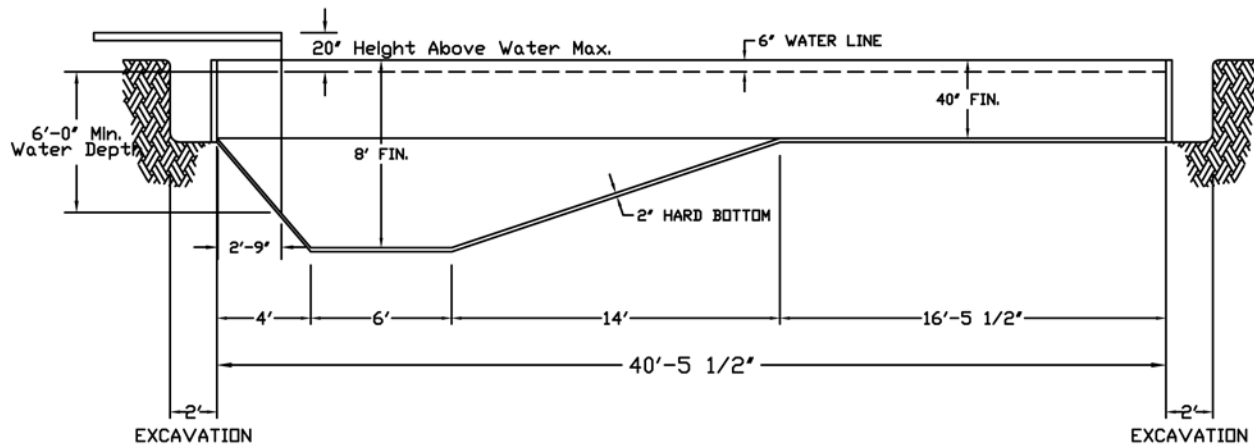
Refer to Diving Board  
Manufacturers Instructions  
to Correctly Position and  
Install Diving Equipment



Max. Length of  
Diving Board 8'  
Jump Board 6'



## N.S.P.I. TYPE II DIVING



## 20x40 ROMANII

QTY.	LENGTH	RADIUS	STYLE
4	3'-2"	2'	CORNER
4	1'-7"	2' REV	PLAIN
2	6'-6"	9'-6"	PLAIN
1	8' RT	9'-6"	RETURN
4	8'	-	PLAIN
2	6'	-	PLAIN
1	8' SK	-	SKIMMER
1	8' RT	-	RETURN
1	8'	9'-6"	PLAIN
20	-	-	A-FRAMES
1	-	-	NUT & BOLT PACK

DRAWN BY: NM	Revisions	PER.: 107' -11'
DATE: 06/02/2007	1	S.A.: 740.114 ft <sup>2</sup>
SCALE: NTS	2	VOL.:
DRAWING NUMBER:		APPROVED:
ALP2040-RM207		