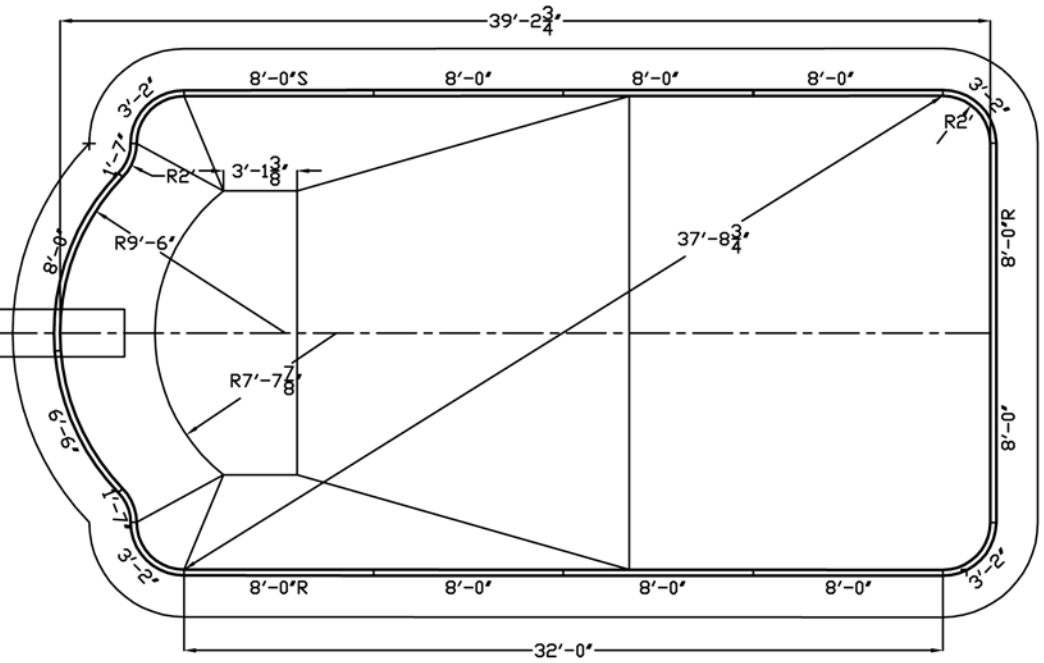
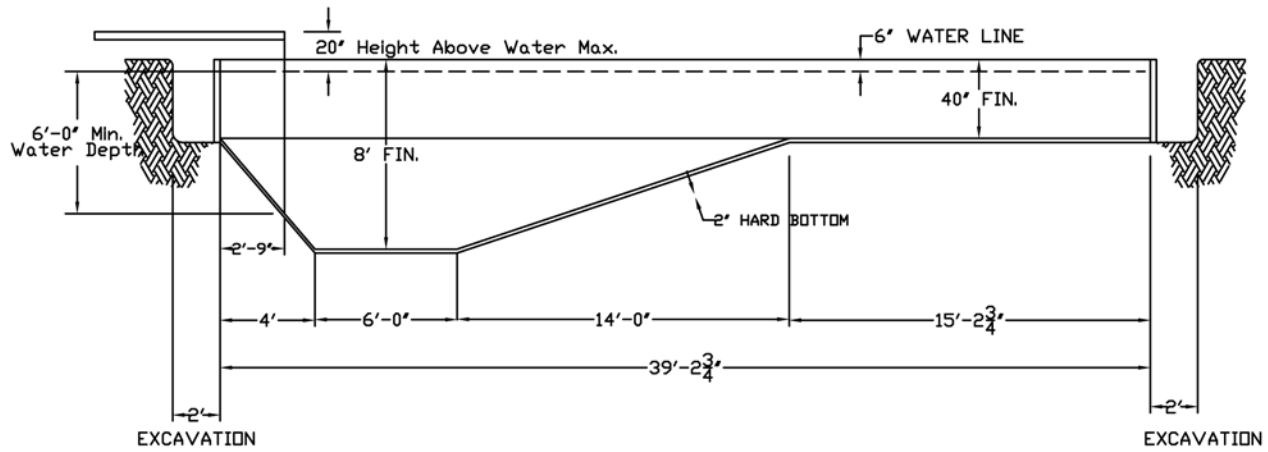


Max. Length of Diving Board 8' Jump Board 6'



20X39 PATRICIAN

QTY.	LENGTH	RADIUS	STYLE
2	8'-0"	-	PLAIN
5	8'-0"	-	PLAIN
2	8'-0"R	-	RETURN
4	3'-2'	2'-0"	CORNER
2	1'-0"	-	PLAIN
1	8'-0"S	-	SKIMMER
2	1'-7'	2'-0"REV.	PLAIN
1	6'-6"	9'-6"	PLAIN
1	8'-0"	9'-6"	PLAIN
20	-	-	A-FRAMES
1	-	-	NUT & BOLT PACK



DRAWN BY: USER	Revisions	PER: 108' -8'
DATE: DATE	1	S.A.: S. A. ft'
SCALE: NTS	2	VOL: APPROVED:
DRAWING NUMBER: 2039		