

# POOL BREAKDOWN

## CENTURY 20' x 12' OVAL 52"

STEEL TOP RAIL - STEEL VERTICAL

√	QTY	CARTON NUMBER	CARTON DESCRIPTION
	1	5-9902-701	ASSEMBLY PACK CARTON
	1	5-9803-700	TOP RAIL PACK CARTON
	1	5-9710-700	VERTICAL PACK CARTON
	1	5-0501-002	SIDEWALL CARTON
	1	5-8852-405	SIDE SUPPORT CARTON
	1	5-8888-204	SUPPORT BASE CARTON
	1	5-9110-700	SKIRT PACK CARTON



# CARTON BREAKDOWN

✓	ITEM	QTY	PART NUMBER	DESCRIPTION
<b>TOP RAIL PACK # 5-9803-700</b>				
	1	12	587-1579	Top Rail

<b>SKIRT PACK # 5-9110-700</b>				
	2	10	340-2553	Vertical skirt
	3	20	330-1023	Hex washer head screw #8 x 5/8"
	4	20	330-1127	Sheet metal screw, #10 x 1/2"

<b>ASSEMBLY PACK # 5-9902-701</b>				
	5	10	583-1011	Stabilizer Rail (Large)
	6	8	583-1012	Stabilizer Rail (Small)
	7	20	580-2299	Vertical End Cap
	7a	4	580-2056	Side vertical end cap
	8	14	580-2055	Outer connector bracket
	9	14	340-2644	Top connector
	10	30	545-1001	Plastic coping
	11	12	589-1046	Bottom rail - stamped 12
	11b	2	589-1052	Bottom rail - side - stamped S
	12	2	587-1578	Top rail - side
	16	118	330-1127	Sheet metal screw, #10 x 1/2"
	17	10	510-1038	Machine screw #6-32 x 1/2"
	18	10	321-1088	Hex nut #6-32
	18a	4	510-1008	Slotted pan head machine screw #10-24 - 1/2"
	18b	4	321-1025	Square nut #10-24
	—	1	573-3852	Pool Parts List
	—	1	573-3346	Installation Instructions
	—	1	— — —	Warranty Card
	—	1	573-3169	"Safety First" Booklet

<b>VERTICAL PACK # 5-9710-700</b>				
	19	10	580-2278	Vertical

<b>SIDEWALL CARTON # 5-0501-002</b>				
	28	1	5-0501-002	Sidewall
	29	26	330-1280	1/4-20 x 1/2" Grade 5 Bolt
	30	26	321-1029	1/4-20 Hex Flange Locknut
	31	1	535-1442	Protective Strip
	—	1	560-1055	Warning Sign
	—	1	573-3169	"Safety First" Booklet
	—	1	573-3498	Safety DVD

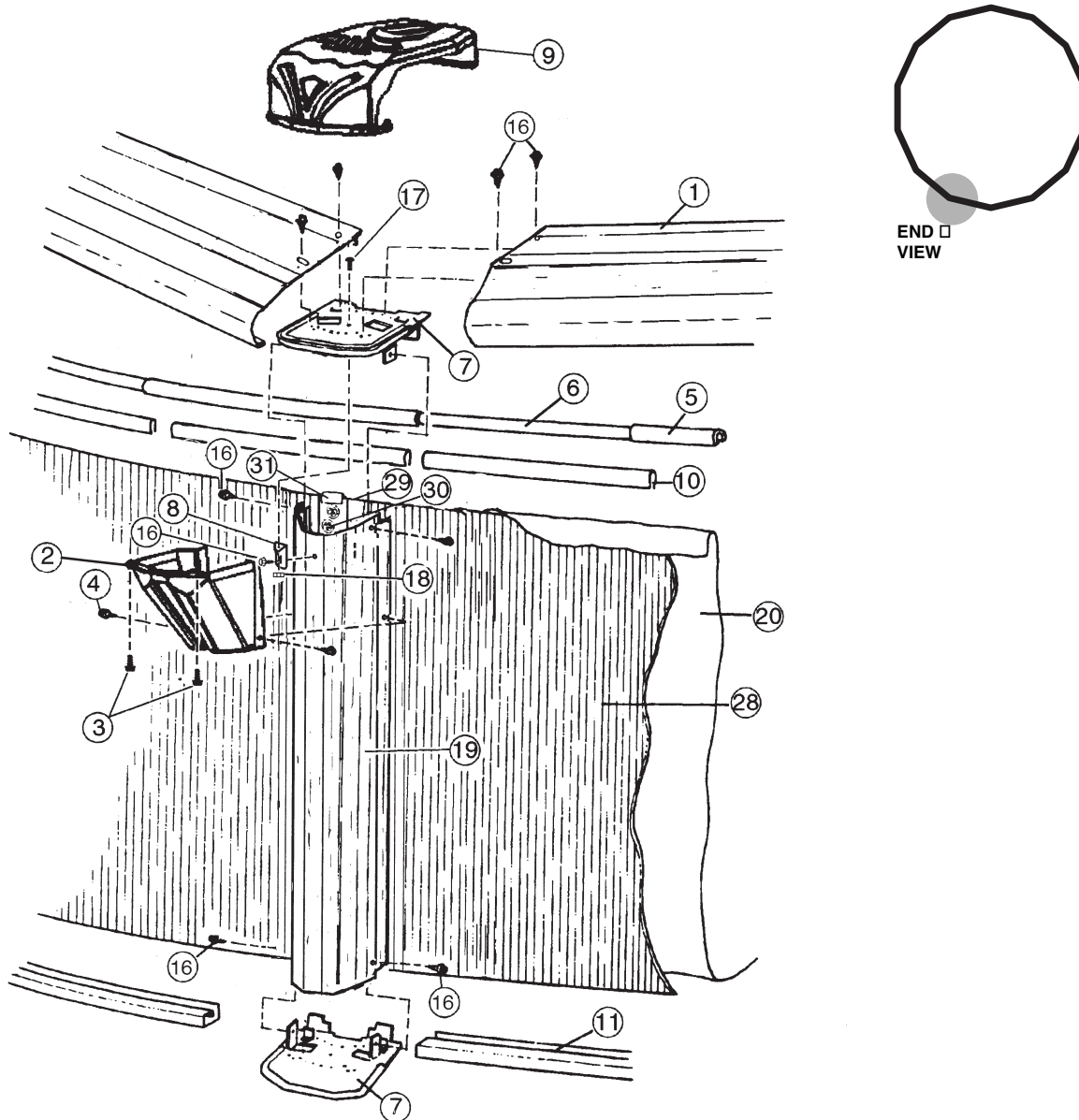
**SUPPORT BASE PACK # 5-8888-204**

34	4	580-1779	Skid support
35	4	580-2071	Ground support - top
36	4	580-2072	Ground support - bottom
37	4	580-1870	Pressure pad
38	4	580-1869	Pressure pad
39	4	580-1792	Btm rail locator & cover
40	24	510-1035	#12x3/4" hex washer head screw
41	16	330-1220	3/8"-16 x 3-1/2" hex head bolt
42	16	321-1069	3/8-16 hex nut
43	16	510-1018	1/4-20 x 1/2" hex head bolt - grade 5
44	16	511-1000	1/4-20 hex nut
45	24	330-1127	Sheet metal screw, #10 x 1/2"

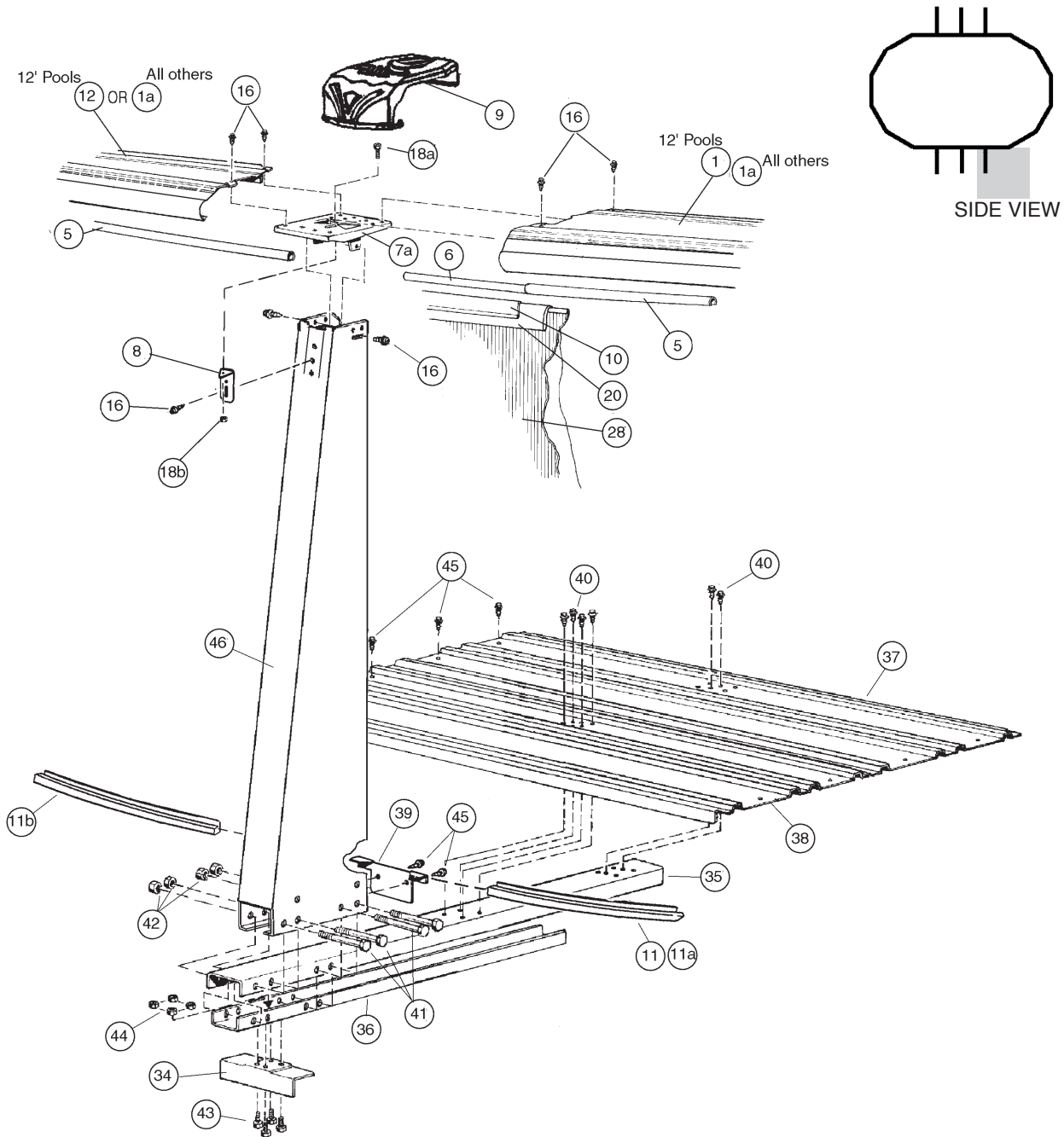
**SIDE SUPPORT PACK # 5-8852-405**

46	4	580-2089	Side support
----	---	----------	--------------

**EXPLODED PARTS VIEW**



# EXPLODED PARTS VIEW



**Important!** Above-ground pools are designed for swimming and wading only. Do not Dive or Jump! Misuse of your pool may result in crippling injury and/or other dangers to life and health. Do not use slides, diving boards, or any other platform or object which can be used for improper pool entry. Use only an above-ground swimming pool ladder or entry system to enter or exit your pool. Never attempt to swim or reach behind ladders or any other pool entry system. It is the pool owner's responsibility to secure the pool against unauthorized, unsupervised or unintentional entry. It is also the pool owner's responsibility to warn all pool users of the hazards of diving into shallow water: paralyzing injury may result. Always obey all safety rules. Remember, pool safety is everybody's responsibility.

Safety decals and caution information provided with your pool have been endorsed by the U.S. Consumer Product Safety Commission. It is mandatory that the pool owner and installer follow the installation and use directions for all provided safety signs and decals. Juveniles must be supervised at all times by a responsible adult as directed by the USCPSC.

Change of Design: The manufacturer (Hill) expressly reserves the right to change or modify the design and construction of any product in due course of their manufacturing procedures, without incurring any obligation to furnish or install such changes or modifications on products previously or subsequently sold.