

POOL BREAKDOWN

STERLING 32' x 16' OVAL 52" STEEL TOP RAIL - STEEL VERTICAL

| √ | QTY | CARTON NUMBER | CARTON DESCRIPTION |
|---|-----|---------------|----------------------|
| | 1 | 5-9926-702 | ASSEMBLY PACK CARTON |
| | 2 | 5-9810-702 | TOP RAIL PACK CARTON |
| | 1 | 5-9712-702 | VERTICAL PACK CARTON |
| | 2 | 5-0504-026 | SIDEWALL CARTON |
| | 2 | 5-8852-400 | SIDE SUPPORT CARTON |
| | 2 | 5-8888-204 | SUPPORT BASE CARTON |
| | 1 | 5-9112-702 | SKIRT PACK CARTON |
| | | | |
| | | | |
| | | | |



CARTON BREAKDOWN

| ✓ | ITEM | QTY | PART NUMBER | DESCRIPTION |
|--|------|-----|-------------|-------------|
| TOP RAIL PACK # 5-9810-702 (2 Required) | | | | |
| | 1a | 20 | 587-1599 | Top Rail |

| | | | | |
|--------------------------------|---|----|----------|---------------------------------|
| SKIRT PACK # 5-9112-702 | | | | |
| | 2 | 12 | 340-2610 | Vertical skirt |
| | 3 | 24 | 330-1023 | Hex washer head screw #8 x 5/8" |
| | 4 | 24 | 330-1127 | Sheet metal screw, #10 x 1/2" |

| | | | | |
|-----------------------------------|-----|-----|----------|--|
| ASSEMBLY PACK # 5-9926-702 | | | | |
| | 5 | 14 | 583-1011 | Stabilizer Rail (Large) |
| | 6 | 10 | 583-1012 | Stabilizer Rail (Small) |
| | 7 | 24 | 580-2299 | Vertical End Cap |
| | 7a | 8 | 580-2056 | Side vertical end cap |
| | 8 | 20 | 580-2128 | Outer connector bracket |
| | 9 | 20 | 340-2645 | Top connector |
| | 10 | 44 | 545-1001 | Plastic coping |
| | 11 | 10 | 589-1047 | Bottom rail - stamped 16 |
| | 11a | 4 | 589-1053 | Bottom rail - transition - stamped TR |
| | 11b | 6 | 589-1052 | Bottom rail - side - stamped S |
| | 16 | 164 | 330-1127 | Sheet metal screw, #10 x 1/2" |
| | 17 | 12 | 510-1038 | Machine screw #6-32 x 1/2" |
| | 18 | 12 | 321-1088 | Hex nut #6-32 |
| | 18a | 8 | 510-1008 | Slotted pan head machine screw #10-24 - 1/2" |
| | 18b | 8 | 321-1025 | Square nut #10-24 |
| | — | 1 | 573-3871 | Pool Parts List |
| | — | 1 | 573-3346 | Installation Instructions |
| | — | 1 | — — — | Warranty Card |
| | — | 1 | 573-3169 | "Safety First" Booklet |

| | | | | |
|-----------------------------------|----|----|----------|----------|
| VERTICAL PACK # 5-9712-702 | | | | |
| | 19 | 12 | 580-2314 | Vertical |

| | | | | |
|--|-----|----|------------|---------------------------------|
| SIDEWALL CARTON # 5-0504-026 (2 Required) | | | | |
| | 28 | 2 | 5-0504-026 | Sidewall |
| | 29 | 52 | 330-1280 | 1/4-20 x 1/2" Grade 5 Bolt |
| | 30 | 52 | 321-1029 | 1/4-20 Hex Flange Locknut |
| | 31 | 2 | 535-1442 | Protective Strip |
| | 33a | 2 | 580-2133 | Cover plate - large (not shown) |
| | 33b | 2 | 580-2134 | Cover plate - small (not shown) |
| | — | 2 | 560-1055 | Warning Sign |
| | — | 2 | 573-3169 | "Safety First" Booklet |
| | — | 2 | 573-3498 | Safety DVD |

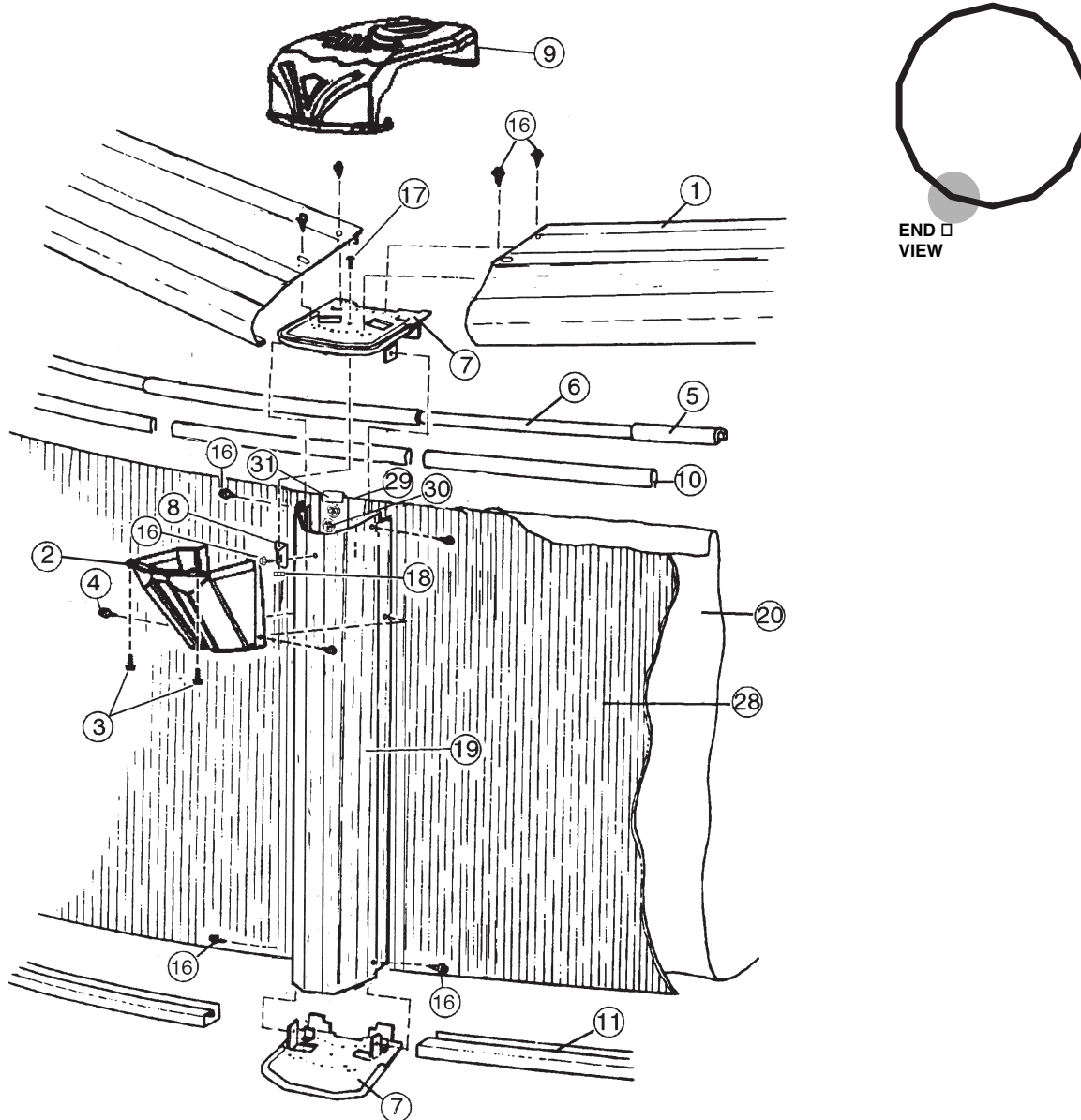
SUPPORT BASE PACK # 5-8888-204 (2 Required)

| | | | |
|----|----|----------|---------------------------------------|
| 34 | 8 | 580-1779 | Skid support |
| 35 | 8 | 580-2071 | Ground support - top |
| 36 | 8 | 580-2072 | Ground support - bottom |
| 37 | 8 | 580-1870 | Pressure pad |
| 38 | 8 | 580-1869 | Pressure pad |
| 39 | 8 | 580-1792 | Btm rail locator & cover |
| 40 | 48 | 510-1035 | #12x3/4" hex washer head screw |
| 41 | 32 | 330-1220 | 3/8"-16 x 3-1/2" hex head bolt |
| 42 | 32 | 321-1069 | 3/8-16 hex nut |
| 43 | 32 | 510-1018 | 1/4-20 x 1/2" hex head bolt - grade 5 |
| 44 | 32 | 511-1000 | 1/4-20 hex nut |
| 45 | 48 | 330-1127 | Sheet metal screw, #10 x 1/2" |

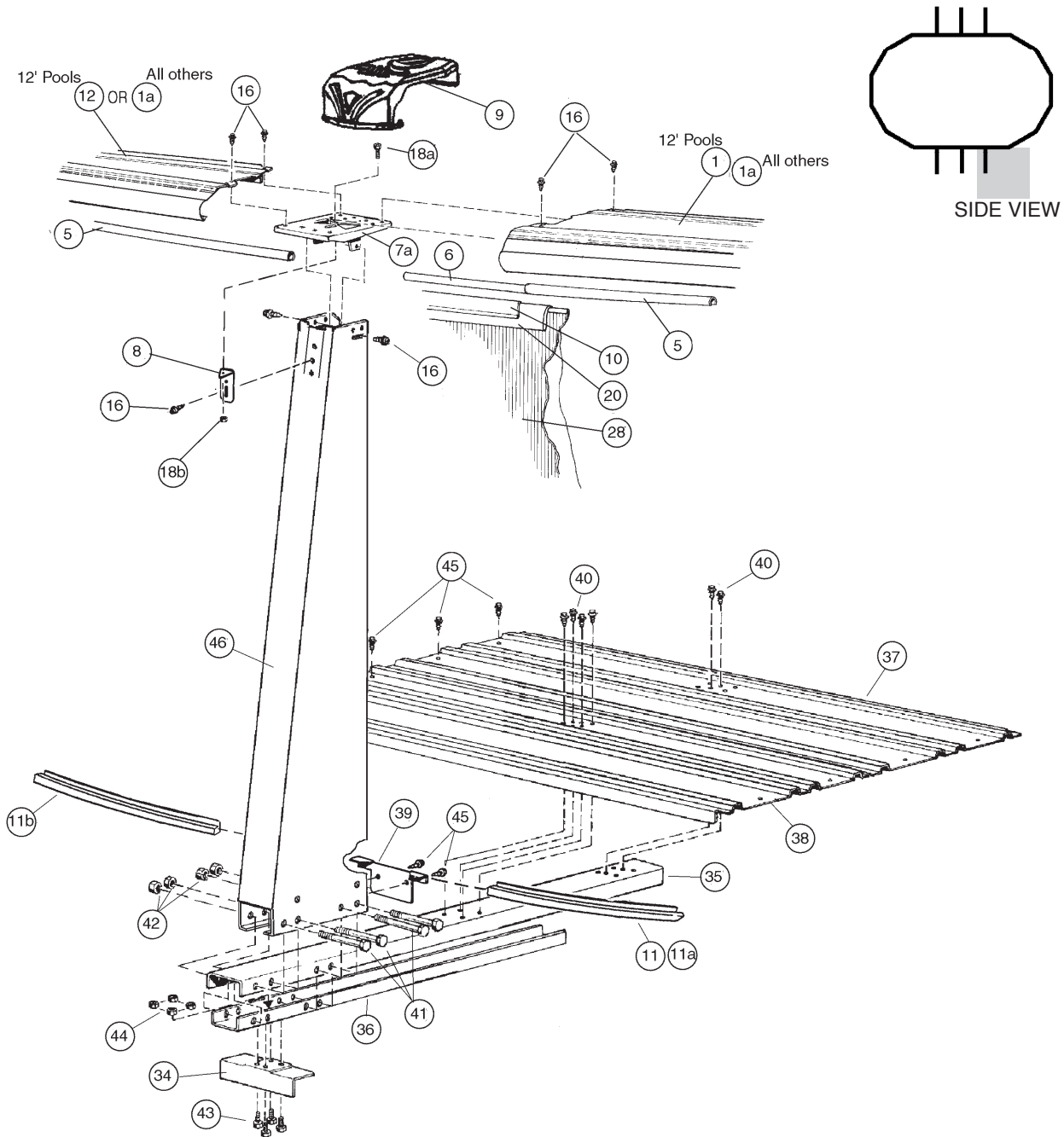
SIDE SUPPORT PACK # 5-8852-400 (2 Required)

| | | | |
|----|---|----------|--------------|
| 46 | 8 | 580-2074 | Side support |
|----|---|----------|--------------|

EXPLODED PARTS VIEW



EXPLODED PARTS VIEW



Important! Above-ground pools are designed for swimming and wading only. Do not Dive or Jump! Misuse of your pool may result in crippling injury and/or other dangers to life and health. Do not use slides, diving boards, or any other platform or object which can be used for improper pool entry. Use only an above-ground swimming pool ladder or entry system to enter or exit your pool. Never attempt to swim or reach behind ladders or any other pool entry system. It is the pool owner's responsibility to secure the pool against unauthorized, unsupervised or unintentional entry. It is also the pool owner's responsibility to warn all pool users of the hazards of diving into shallow water: paralyzing injury may result. Always obey all safety rules. Remember, pool safety is everybody's responsibility.

Safety decals and caution information provided with your pool have been endorsed by the U.S. Consumer Product Safety Commission. It is mandatory that the pool owner and installer follow the installation and use directions for all provided safety signs and decals. Juveniles must be supervised at all times by a responsible adult as directed by the USCPSC.

Change of Design: The manufacturer (Hill) expressly reserves the right to change or modify the design and construction of any product in due course of their manufacturing procedures, without incurring any obligation to furnish or install such changes or modifications on products previously or subsequently sold.