

POOL BREAKDOWN

STERLING 34' x 18' OVAL 52"

STEEL TOP RAIL - STEEL VERTICAL

√	QTY	CARTON NUMBER	CARTON DESCRIPTION
	1	5-9948-702	ASSEMBLY PACK CARTON
	1	5-9810-702	TOP RAIL PACK CARTON
	1	5-9812-702	TOP RAIL PACK CARTON
	1	5-9714-702	VERTICAL PACK CARTON
	2	5-0504-048	SIDEWALL CARTON
	2	5-8852-400	SIDE SUPPORT CARTON
	2	5-8888-204	SUPPORT BASE CARTON
	1	5-9114-702	SKIRT PACK CARTON



CARTON BREAKDOWN

✓	ITEM	QTY	PART NUMBER	DESCRIPTION
TOP RAIL PACK # 5-9810-702				
	1a	10	587-1599	Top Rail
TOP RAIL PACK # 5-9812-702				
	1a	12	587-1599	Top Rail
SKIRT PACK # 5-9114-702				
	2	14	340-2610	Vertical skirt
	3	28	330-1023	Hex washer head screw #8 x 5/8"
	4	28	330-1127	Sheet metal screw, #10 x 1/2"
ASSEMBLY PACK # 5-9948-702				
	5	16	583-1011	Stabilizer Rail (Large)
	6	10	583-1012	Stabilizer Rail (Small)
	7	28	580-2299	Vertical End Cap
	7a	8	580-2056	Side vertical end cap
	8	22	580-2128	Outer connector bracket
	9	22	340-2645	Top connector
	10	46	545-1001	Plastic coping
	11	16	589-1048	Bottom rail - stamped 18
	11b	6	589-1052	Bottom rail - side - stamped S
	16	182	330-1127	Sheet metal screw, #10 x 1/2"
	17	14	510-1038	Machine screw #6-32 x 1/2"
	18	14	321-1088	Hex nut #6-32
	18a	8	510-1008	Slotted pan head machine screw #10-24 - 1/2"
	18b	8	321-1025	Square nut #10-24
	—	1	573-3872	Pool Parts List
	—	1	573-3346	Installation Instructions
	—	1	— — —	Warranty Card
	—	1	573-3169	"Safety First" Booklet
VERTICAL PACK # 5-9714-702				
	19	14	580-2314	Vertical
SIDEWALL CARTON # 5-0504-048 (2 Required)				
	28	2	5-0504-048	Sidewall
	29	52	330-1280	1/4-20 x 1/2" Grade 5 Bolt
	30	52	321-1029	1/4-20 Hex Flange Locknut
	31	2	535-1442	Protective Strip
	33a	2	580-2288	Cover plate - large (not shown)
	33b	2	580-2289	Cover plate - small (not shown)
	—	2	560-1055	Warning Sign
	—	2	573-3169	"Safety First" Booklet
	—	2	573-3498	Safety DVD

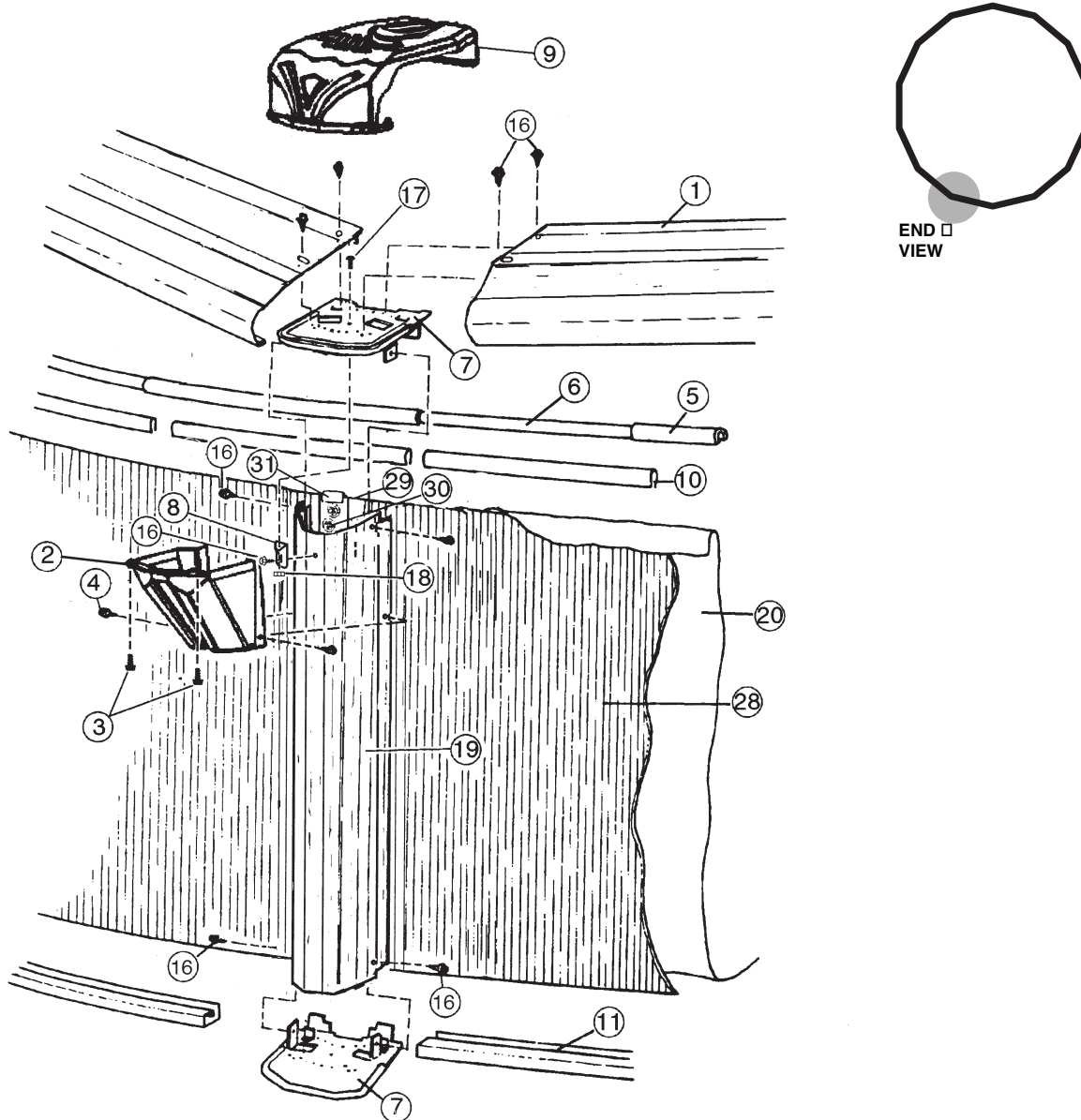
SUPPORT BASE PACK # 5-8888-204 (2 Required)

34	8	580-1779	Skid support
35	8	580-2071	Ground support - top
36	8	580-2072	Ground support - bottom
37	8	580-1870	Pressure pad
38	8	580-1869	Pressure pad
39	8	580-1792	Btm rail locator & cover
40	48	510-1035	#12x3/4" hex washer head screw
41	32	330-1220	3/8"-16 x 3-1/2" hex head bolt
42	32	321-1069	3/8"-16 hex nut
43	32	510-1018	1/4-20 x 1/2" hex head bolt - grade 5
44	32	511-1000	1/4-20 hex nut
45	48	330-1127	Sheet metal screw, #10 x 1/2"

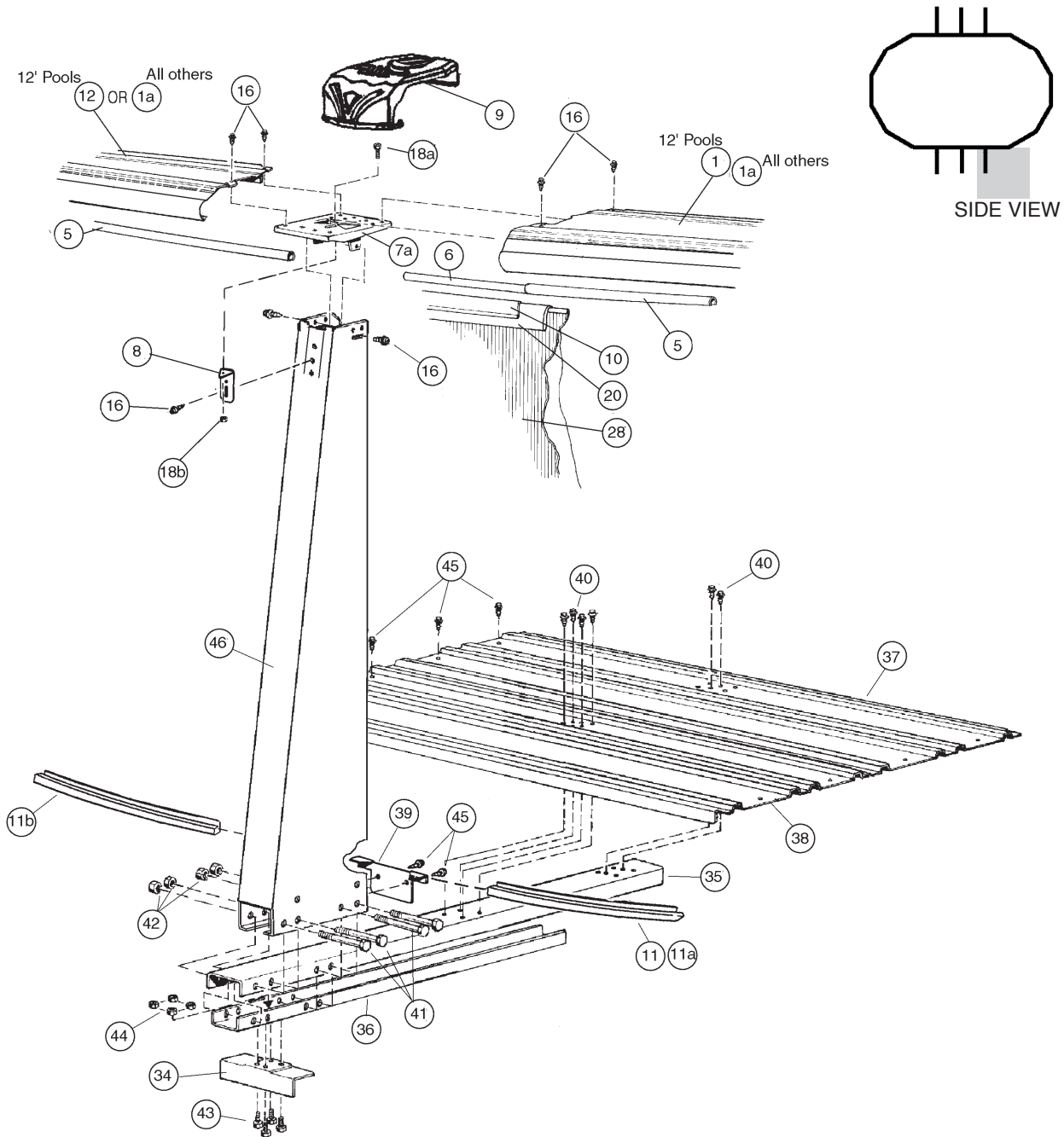
SIDE SUPPORT PACK # 5-8852-400 (2 Required)

46	8	580-2074	Side support
----	---	----------	--------------

EXPLODED PARTS VIEW



EXPLODED PARTS VIEW



Important! Above-ground pools are designed for swimming and wading only. Do not Dive or Jump! Misuse of your pool may result in crippling injury and/or other dangers to life and health. Do not use slides, diving boards, or any other platform or object which can be used for improper pool entry. Use only an above-ground swimming pool ladder or entry system to enter or exit your pool. Never attempt to swim or reach behind ladders or any other pool entry system. It is the pool owner's responsibility to secure the pool against unauthorized, unsupervised or unintentional entry. It is also the pool owner's responsibility to warn all pool users of the hazards of diving into shallow water: paralyzing injury may result. Always obey all safety rules. Remember, pool safety is everybody's responsibility.

Safety decals and caution information provided with your pool have been endorsed by the U.S. Consumer Product Safety Commission. It is mandatory that the pool owner and installer follow the installation and use directions for all provided safety signs and decals. Juveniles must be supervised at all times by a responsible adult as directed by the USCPSC.

Change of Design: The manufacturer (Hill) expressly reserves the right to change or modify the design and construction of any product in due course of their manufacturing procedures, without incurring any obligation to furnish or install such changes or modifications on products previously or subsequently sold.