

POOL BREAKDOWN

SEA ISLE 26' x 15' OVAL 54" RESIN TOP RAIL - STEEL VERTICAL

√	QTY	CARTON NUMBER	CARTON DESCRIPTION
	1	5-9965-734	ASSEMBLY PACK CARTON
	1	5-9808-734	TOP RAIL PACK CARTON
	1	5-9710-723	VERTICAL PACK CARTON
	1	5-0575-065	SIDEWALL CARTON
	1	5-2206-907	SIDE SUPPORT CARTON
	1	5-8888-206	SUPPORT BASE CARTON
	1	5-9110-734	SKIRT PACK CARTON
	1	5-8801-600	SIDE VERTICAL EXT. CARTON



CARTON BREAKDOWN

✓	ITEM	QTY	PART NUMBER	DESCRIPTION
TOP RAIL PACK # 5-9808-734				
	1a	8	587-1760	Top Rail

SKIRT PACK # 5-9110-734				
	2	10	340-2735	Vertical skirt
	3	20	330-1023	Hex washer head screw #8 x 5/8"
	4	20	330-1127	Sheet metal screw, #10 x 1/2"

ASSEMBLY PACK # 5-9965-734				
	5	12	583-1011	Stabilizer Rail (Large)
	6	9	583-1012	Stabilizer Rail (Small)
	7	20	580-2299	Vertical End Cap
	7a	6	580-2056	Side vertical end cap
	8	16	580-2128	Outer connector bracket
	9	16	340-2734	Top connector
	10	36	545-1001	Plastic coping
	11	8	589-1254	Bottom rail - stamped 15-C
	11a	4	589-1151	Bottom rail - stamped L-15-2
	11b	4	589-1052	Bottom rail - side - stamped S
	12	8	587-1627	Top rail - side
	16	150	330-1127	Sheet metal screw, #10 x 1/2"
	17	10	510-1038	Machine screw #6-32 x 1/2"
	18	10	321-1088	Hex nut #6-32
	18a	6	510-1008	Slotted pan head machine screw #10-24 - 1/2"
	18b	6	321-1025	Square nut #10-24
	—	1	573-3883	Pool Parts List
	—	1	573-3652	Installation Instructions
	—	1	— — —	Warranty Card
	—	1	573-3169	"Safety First" Booklet

VERTICAL PACK # 5-9710-723				
	19	10	580-2347	Vertical

SIDEWALL CARTON # 5-0575-065				
	28	1	5-0575-065	Sidewall
	29	27	330-1280	1/4-20 x 1/2" Grade 5 Bolt
	30	27	321-1029	1/4-20 Hex Flange Locknut
	31	1	535-1442	Protective Strip
	—	1	560-1055	Warning Sign
	—	1	573-3169	"Safety First" Booklet
	—	1	573-3498	Safety DVD

SUPPORT BASE PACK # 5-8888-206

34	6	580-1779	Skid support
35	6	580-2071	Ground support - top
36	6	580-2072	Ground support - bottom
37	6	580-1870	Pressure pad
38	6	580-1869	Pressure pad
39	6	580-1792	Btm rail locator & cover
40	36	510-1035	#12x3/4" hex washer head screw
41	24	330-1220	3/8"-16 x 3-1/2" hex head bolt
42	24	321-1069	3/8-16 hex nut
43	24	510-1018	1/4-20 x 1/2" hex head bolt - grade 5
44	24	511-1000	1/4-20 hex nut
45	36	330-1127	Sheet metal screw, #10 x 1/2"

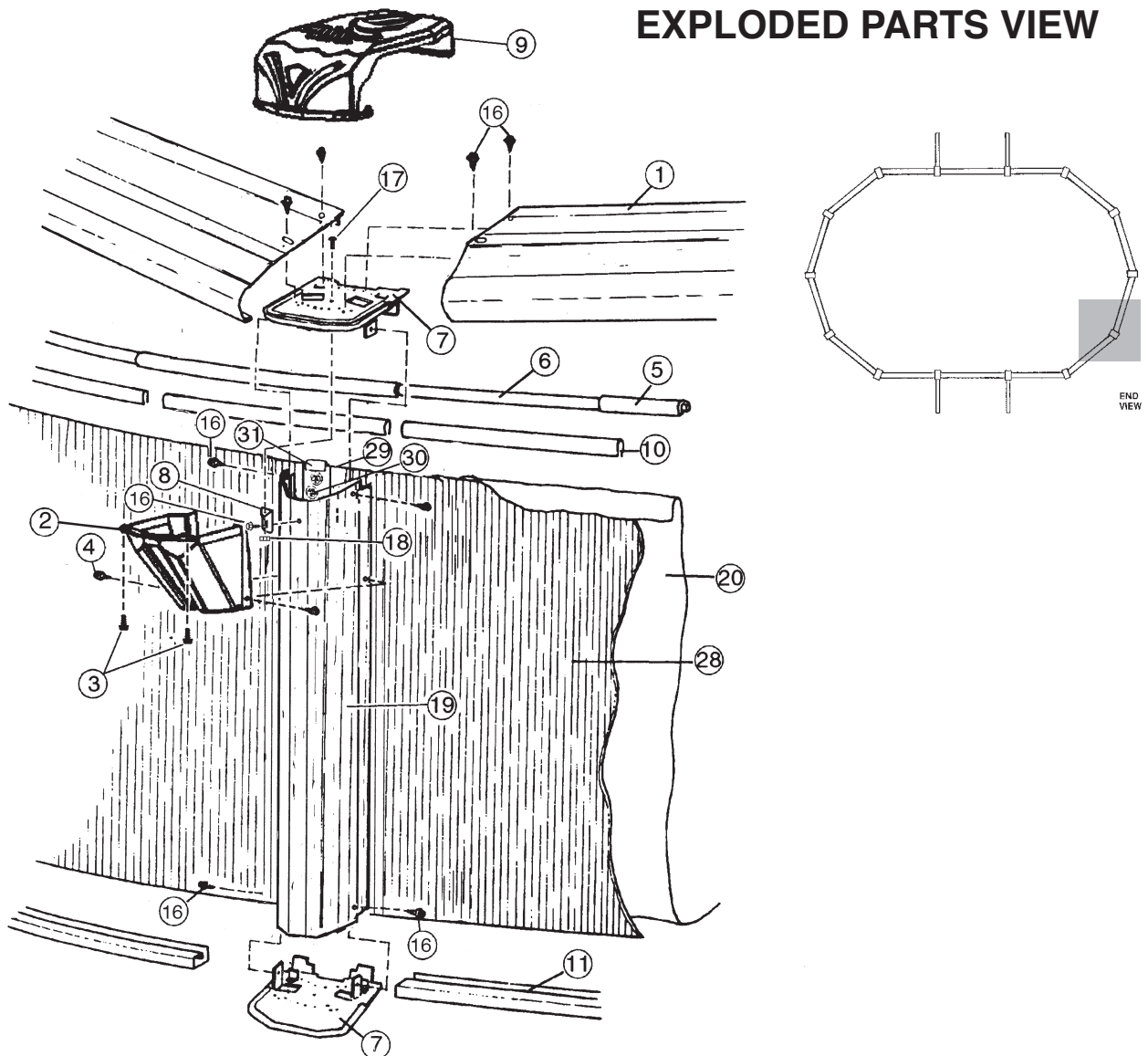
SIDE SUPPORT PACK # 5-2206-907

46	6	580-2333	Side support
----	---	----------	--------------

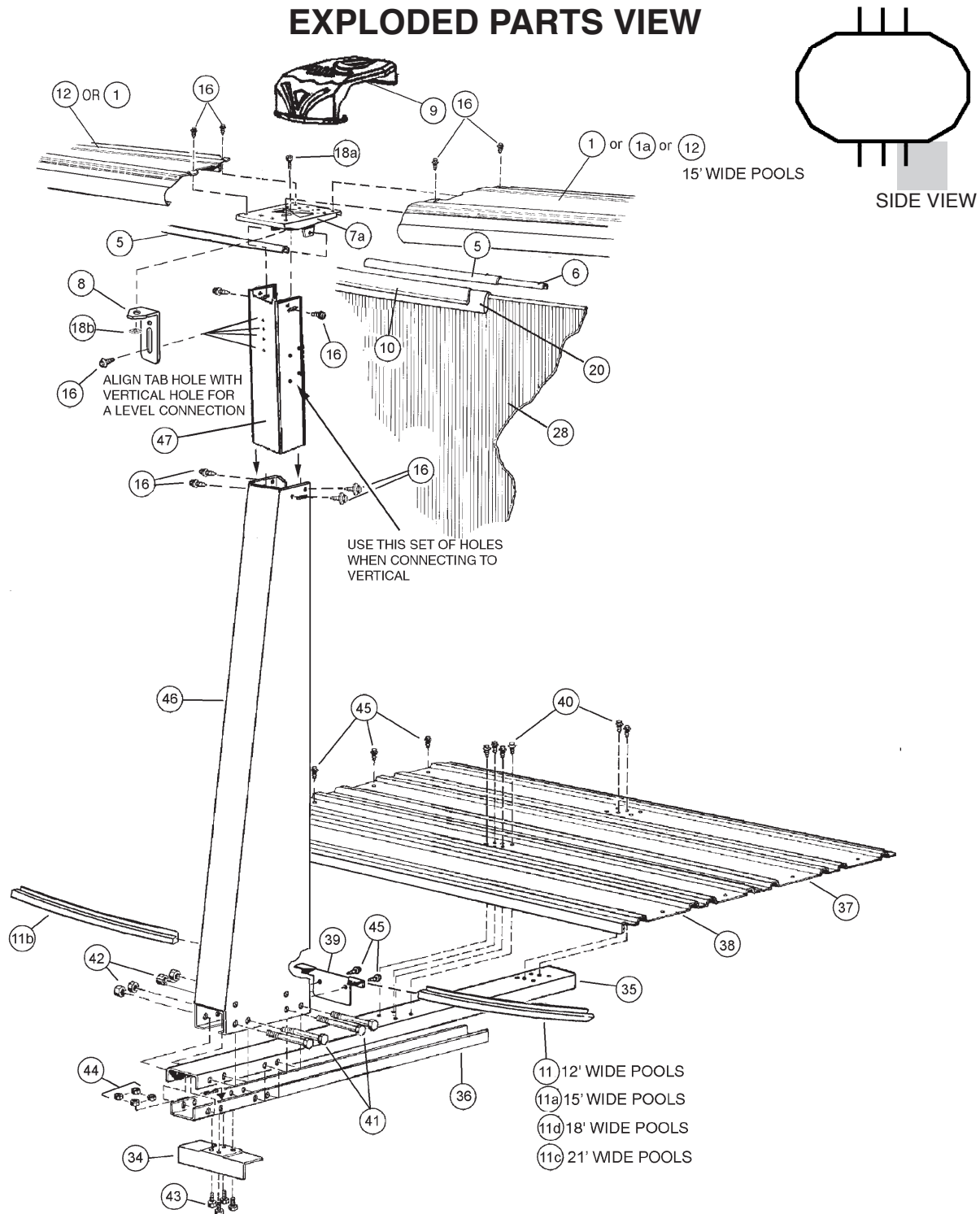
SIDE VERTICAL EXT. PACK # 5-8801-600

47	6	580-2270	Side vertical extension
----	---	----------	-------------------------

EXPLODED PARTS VIEW



EXPLODED PARTS VIEW



Important! Above-ground pools are designed for swimming and wading only. Do not Dive or Jump! Misuse of your pool may result in crippling injury and/or other dangers to life and health. Do not use slides, diving boards, or any other platform or object which can be used for improper pool entry. Use only an above-ground swimming pool ladder or entry system to enter or exit your pool. Never attempt to swim or reach behind ladders or any other pool entry system. It is the pool owner's responsibility to secure the pool against unauthorized, unsupervised or unintentional entry. It is also the pool owner's responsibility to warn all pool users of the hazards of diving into shallow water: paralyzing injury may result. Always obey all safety rules. Remember, pool safety is everybody's responsibility.

Safety decals and caution information provided with your pool have been endorsed by the U.S. Consumer Product Safety Commission. It is mandatory that the pool owner and installer follow the installation and use directions for all provided safety signs and decals. Juveniles must be supervised at all times by a responsible adult as directed by the USCPSC.

Change of Design: The manufacturer (HII) expressly reserves the right to change or modify the design and construction of any product in due course of their manufacturing procedures, without incurring any obligation to furnish or install such changes or modifications on products previously or subsequently sold.