

POOL BREAKDOWN

SILVER INTRIGUE 30' x 15' OVAL 52" RESIN TOP RAIL - RESIN VERTICAL

√	QTY	CARTON NUMBER	CARTON DESCRIPTION
	1	5-9905-829	ASSEMBLY PACK CARTON
	1	5-9808-726	TOP RAIL PACK CARTON
	1	5-9710-604	VERTICAL PACK CARTON
	1	5-0566-005	SIDEWALL CARTON
	2	5-8888-204	SUPPORT BASE CARTON
	2	5-8852-400	SIDE SUPPORT CARTON



CARTON BREAKDOWN

✓	ITEM	QTY	PART NUMBER	DESCRIPTION
ASSEMBLY PACK # 5-9905-829				
	1	15	583-1011	Stabilizer Rail (Large)
	2	9	583-1012	Stabilizer Rail (Small)
	3	10	580-2375	Vertical End Cap
	4	10	580-1343	Bottom connector
	5	8	580-2279	Side vertical end cap
	6	18	340-2116	Top connector
	7	40	545-1001	Plastic coping
	8	8	589-1302	Bottom rail - stamped 15-M
	10	6	589-1052	Bottom rail - side - stamped S
	11	4	589-1151	Bottom rail - transition - stamped L-15-2
	12	156	330-1127	Sheet metal screw, #10 x 1/2"
	15	10	330-1075	Pan head screw #14 x 1/2"
	17	10	580-2397	Vertical tab
	20	8	510-1008	Slotted pan head machine screw #10-24 - 1/2"
	21	8	321-1025	Square nut #10-24
	22	6	587-1742	Top rail - side
	23	8	580-2159	Outer connector bracket
	25	4	587-1732	Top rail - transition
	—	1	573-3931	Pool Parts List
	—	1	573-3653	Installation Instructions
	—	1	— — —	Warranty Card
	—	1	573-3169	"Safety First" Booklet

TOP RAIL PACK # 5-9808-726				
	32	8	587-1741	Top Rail

VERTICAL PACK # 5-9710-604				
	33	10	341-1351	Vertical

SIDEWALL CARTON # 5-0566-005				
	44	1	5-0566-005	Sidewall
	45	1	535-1442	Protective Strip
	46	26	321-1029	1/4-20 Hex Flange Locknut
	47	26	330-1280	1/4-20 x 1/2" Grade 5 Bolt
	—	1	560-1055	Warning Sign
	—	1	573-3169	"Safety First" Booklet
	—	1	573-3498	Safety DVD

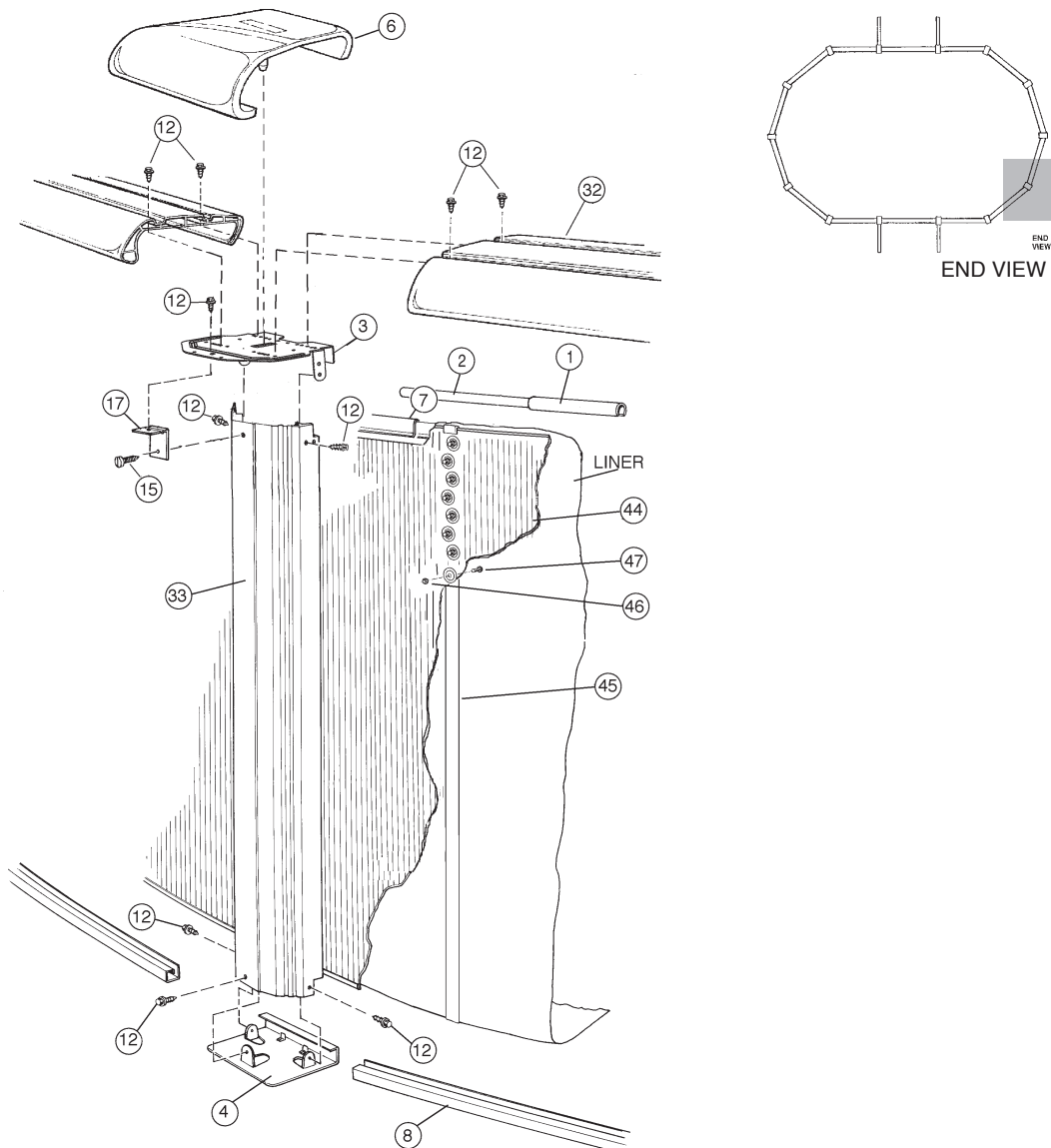
SUPPORT BASE PACK # 5-8888-204 (2 Required)

53	8	580-1779	Skid support
54	8	580-2071	Ground support - top
55	8	580-2072	Ground support - bottom
56	8	580-1869	Pressure pad
57	8	580-1870	Pressure pad
58	8	580-1792	Btm rail locator & cover
59	48	510-1035	#12x3/4" hex washer head screw
60	32	330-1220	3/8"-16 x 3-1/2" hex head bolt
61	32	321-1069	3/8-16 hex nut
62	32	510-1018	1/4-20 x 1/2" hex head bolt - grade 5
63	32	511-1000	1/4-20 hex nut
64	48	330-1127	Sheet metal screw, #10 x 1/2"

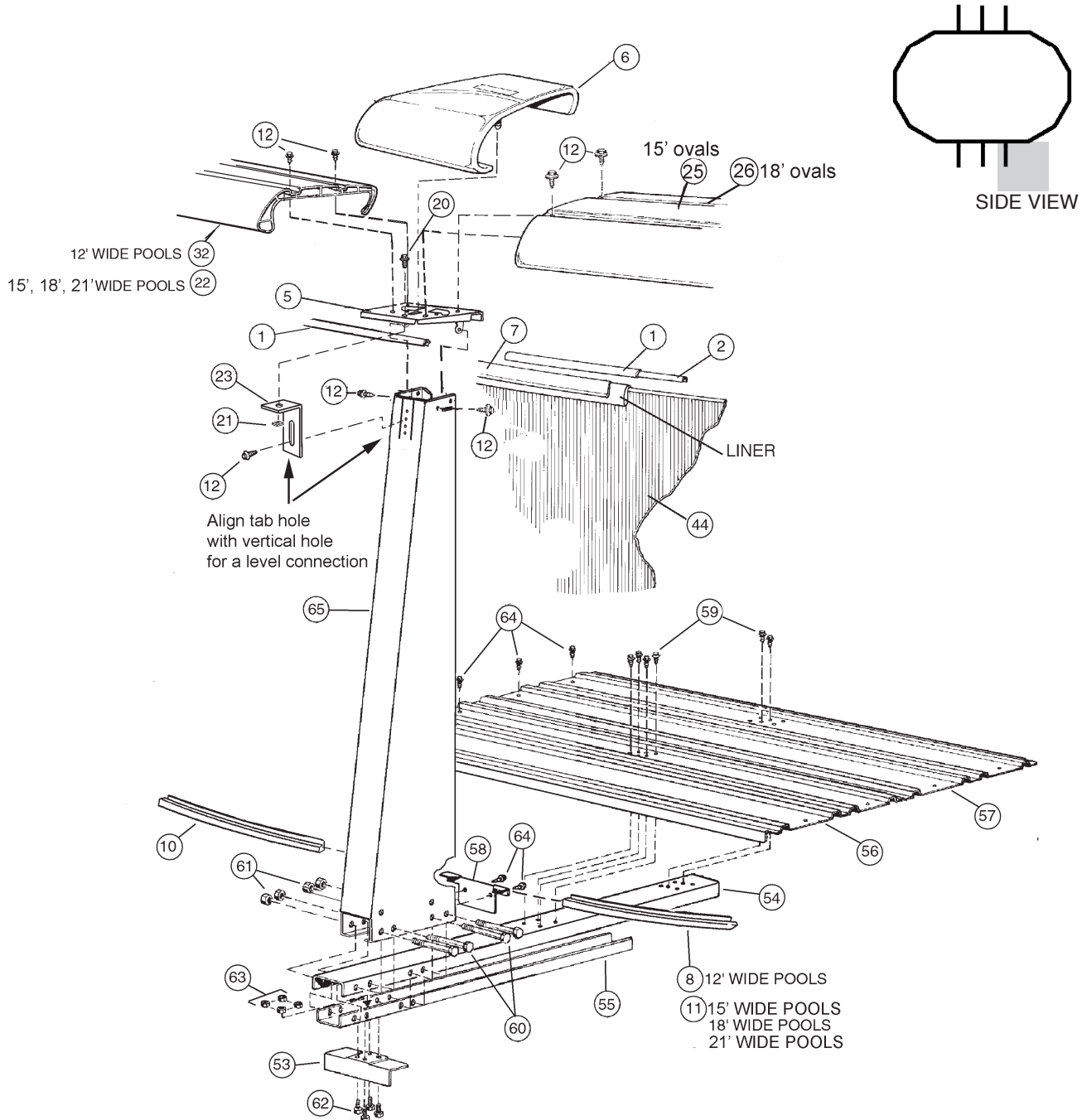
SIDE SUPPORT PACK # 5-8852-400 (2 Required)

65	8	580-2074	Side support
----	---	----------	--------------

EXPLODED PARTS VIEW



EXPLODED PARTS VIEW



Important! Above-ground pools are designed for swimming and wading only. Do not Dive or Jump! Misuse of your pool may result in crippling injury and/or other dangers to life and health. Do not use slides, diving boards, or any other platform or object which can be used for improper pool entry. Use only an above-ground swimming pool ladder or entry system to enter or exit your pool. Never attempt to swim or reach behind ladders or any other pool entry system. It is the pool owner's responsibility to secure the pool against unauthorized, unsupervised or unintentional entry. It is also the pool owner's responsibility to warn all pool users of the hazards of diving into shallow water: paralyzing injury may result. Always obey all safety rules. Remember, pool safety is everybody's responsibility.

Safety decals and caution information provided with your pool have been endorsed by the U.S. Consumer Product Safety Commission. It is mandatory that the pool owner and installer follow the installation and use directions for all provided safety signs and decals. Juveniles must be supervised at all times by a responsible adult as directed by the USCPSC.

Change of Design: The manufacturer (HII) expressly reserves the right to change or modify the design and construction of any product in due course of their manufacturing procedures, without incurring any obligation to furnish or install such changes or modifications on products previously or subsequently sold.