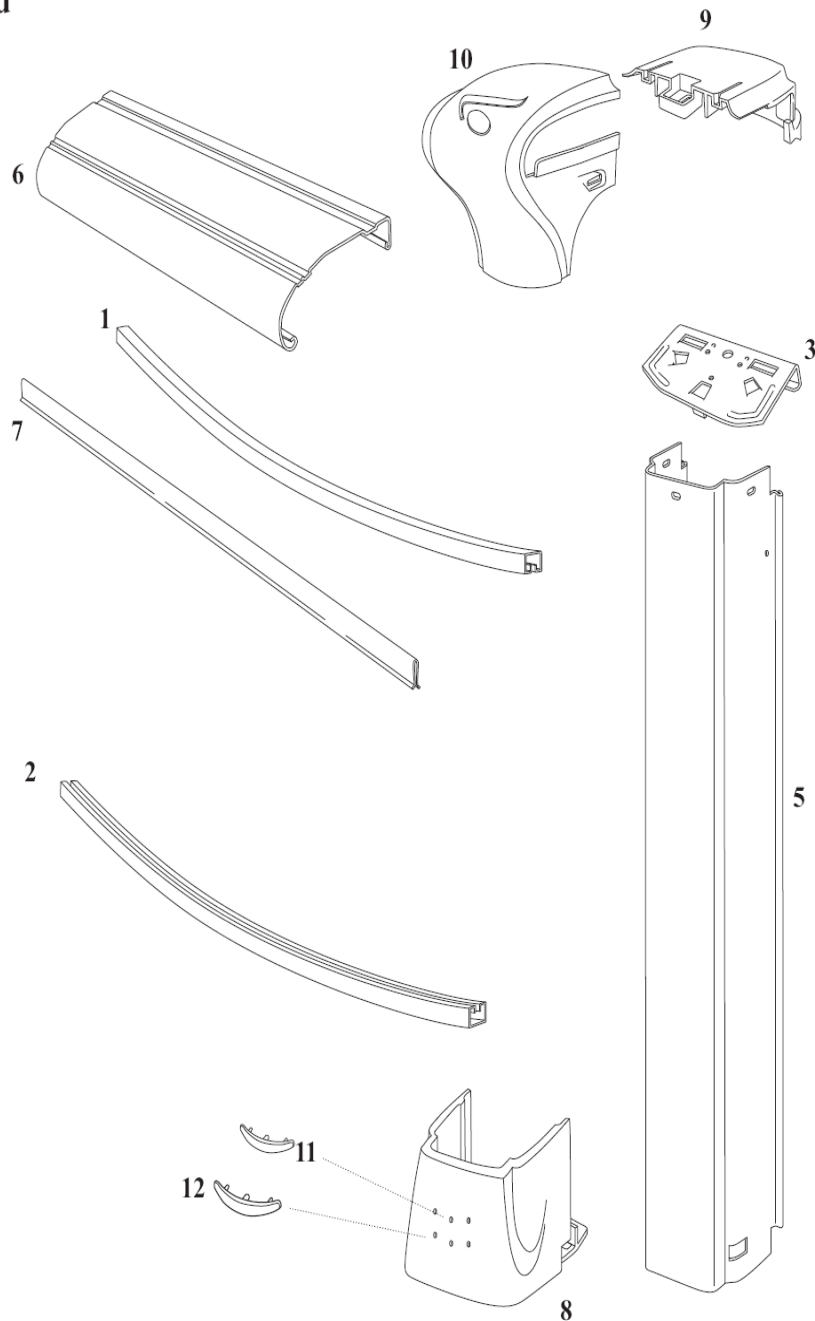


# Bermuda 54" (Oasis)

POAS\_54AAAARJ1

Round



Revision Date: 5/20/09

# BERMUDA 24' - 54"

NB1250

## FRAME CARTON # CROAS24TA-18

Key	Item #	Mfg Part #	Description
6	NBP3036	29804	TOP RAIL

## FRAME CARTON # CROASUA54-12

5	NBP3032	29799	UPRIGHT
---	---------	-------	---------

## FRAME CARTON # CROAS24-AARJ1

1	NBP3018	22721	TOP TRACK 45 ¼ "
2	NBP3010	22629	BOTTOM RAIL 48"
3	NBP3103	16298	TOP PLATE 6 ½"
7	NBP3013	22650	BEADED LINER TRACK SLAT
8	NBP3110	27117	8" BOOT
9	NBP3104	16300	8" SMALL INNER TOP CAP
10	NBP3105	16301	8" LARGE OUTER TOP CAP CURVED
11	NBP3107	16305	UPRIGHT ACCENT CLIP
12	NBP3108	16356	BOOT ACCENT CLIP

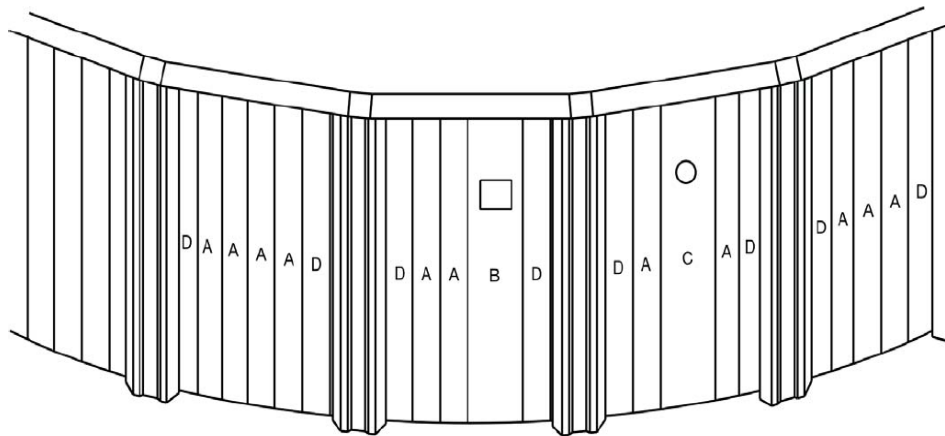
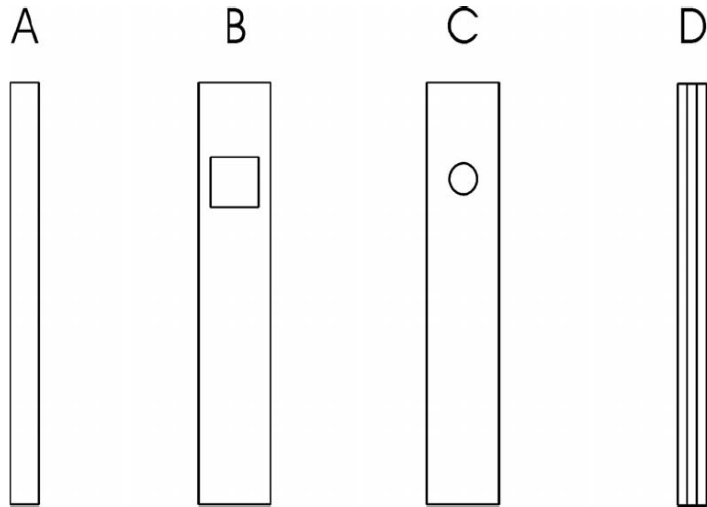
# Oasis Slat Wall Pool

POAS\_54AAAARJ1

## Wall Panel Detail

The Slat Wall system of the Oasis pool features 4 different style aluminum panels that are assembled together to complete the wall of the pool.

See Slat Wall Pool System Instruction Manual for additional detail on assembly.



- A is a regular slat
- B is a skimmer slat
- C is a return slat
- D is a beam slat

# BERMUDA 24' – 54"

NB1250

FRAME CARTON # CW54R-75			
Key	Item #	Mfg Part #	Description
A	NBP3028	26513	REGULAR WALL SLAT 53 5/8"
FRAME CARTON # CW54RB-6414			
A	NBP3028	26513	REGULAR WALL SLAT 53 5/8"
D	NBP3029	26515	BEAM WALL SLAT 53 5/8"
FRAME CARTON # CW54RB-4722B			
A	NBP3028	26513	REGULAR WALL SLAT 53 5/8"
B	NBP3021	26341	SKIMMER WALL SLAT
C	NBP3022	26342	RETURN WALL SLAT
D	NBP3029	26515	BEAM WALL SLAT

# Pool Carton Breakout

**POAS-2454AAAARJ1**

OASIS ROUND 24-54 CC:AAAARJ1

**Features:** Round  
Size: 24  
Depth: 54

**Structure Composition**

Aluminum top rails Aluminum uprights Aluminum bottom rails Aluminum-square stabilizers Resin bottom plates
--

**Notes:** Component materials specified in "Structure Composition" table

	Qty	Carton Part#	Carton Content Description
<input type="checkbox"/>	1	<b>CROAS24-AARJ1</b>	OASIS - STABILIZER-ALUMINUM; BOTTOM RAIL ALUMINUM; PLASTIC COPING; TOP COVER; TOP PLATE
<input type="checkbox"/>	1	<b>CROAS24TA-18</b>	OASIS - TOP RAIL-ALUMINUM
<input type="checkbox"/>	1	<b>CROASUA54-18</b>	OASIS - 54" UPRIGHT CURVED SIDE-ALUMINUM
<input type="checkbox"/>	1	<b>CW54R-75</b>	UNIVERSAL - RAW EXTRUTIONS
<input type="checkbox"/>	1	<b>CW54RB-4722B</b>	UNIVERSAL - WALL/52 SLAT TPE INTREPID; SKIMMER GASKET; RAW EXTRUTIONS; WALL COILS & SLATS PAINTED
<input type="checkbox"/>	1	<b>CW54RB-6414</b>	UNIVERSAL - RAW EXTRUTIONS; WALL COILS & SLATS PAINTED

**CROAS24-AARJ1**

*OASIS 24 POOL COMPONENTS - CURVED-SIDE*

Dwg Ref	QUANTITY	PART #	DESCRIPTION
9	<b>18</b>	<b>16300</b>	TC 8" MOSAIC SML1/2 INNER
10	<b>18</b>	<b>16301</b>	TC 8" MOSAIC LG 1/2 OUTER CVD (ANT/LYR)
12	<b>18</b>	<b>16356</b>	ACCENT CLIP PUMICE RESIN LARGE BOOT(LYR)
11	<b>54</b>	<b>16305</b>	ACCENT CLIP PUMICE RESIN 3-EA UR(LYR)
	<b>1</b>	<b>95-0007</b>	ENVELOPES SAFETY COMPLETE
	<b>1</b>	<b>95-0223</b>	SHARKLINE WARRANTY DIAMOND SERIES BLUE
	<b>1</b>	<b>95-0443</b>	INSTRUCTIONS POOL BLANK ROUND 2007
	<b>1</b>	<b>95-0734</b>	INSTR INSTALL SLAT WALL POOL ROUND
	<b>1</b>	<b>10182</b>	HDW SS 24'
2	<b>18</b>	<b>22629</b>	BTM RAIL ALUM SLAT WALL 12'0"R 48"
1	<b>18</b>	<b>22721</b>	TOP TRACK ALUM SLAT WALL 12'0"R 45 1/4"
3	<b>18</b>	<b>16298</b>	TOP PLATE 6.5" LYR
8	<b>18</b>	<b>27117</b>	TC 8" MOSAIC BOOT CVD ONLY (ANT/LYR)LX
7	<b>19</b>	<b>22650</b>	BEADED LINER TRACK SLAT WALL 49" NOTCHED

\*\*\* Packaging Materials Used (These are not pool components!) \*\*\*

	<b>1</b>	<b>97-0057B</b>	CARTON-EMPTY(6" BAY/SW-RND T.R. CMN)B
	<b>1</b>	<b>97-0057T</b>	CARTON-EMPTY(6" BAY/SW-RND T.R. CMN)T

**CROAS24TA-18**

*OASIS 24 FRAME COMPONENTS - CURVED-SIDE*

Dwg Ref	QUANTITY	PART #	DESCRIPTION
6	<b>18</b>	<b>29804</b>	TR 8" TAUPE ALUM OAS/NAV 24/28 49 7/8"

\*\*\* Packaging Materials Used (These are not pool components!) \*\*\*

	<b>1</b>	<b>97-0069T</b>	CARTON-EMPTY (SLS/SIL 24/28/33 TR/UR)T
	<b>1</b>	<b>97-0069B</b>	CARTON-EMPTY (SLS/SIL 24/28/33 TR/UR)B

**CROASUA54-18**

*OASIS 54 FRAME COMPONENTS - CURVED-SIDE*

Dwg Ref	QUANTITY	PART #	DESCRIPTION
5	<b>18</b>	<b>29799</b>	UR 6.5" TPE ALUM 53 13/16 OAS/NAV

\*\*\* Packaging Materials Used (These are not pool components!) \*\*\*

	<b>1</b>	<b>97-0272B</b>	CARTON-EMPTY (SLS/SIL 15/18/20 TR/UP)B
	<b>1</b>	<b>97-0272T</b>	CARTON-EMPTY (SLS/SIL 15/18/20 TR/UP)T

**CW54R-75**

*FRAME COMPONENTS - WALL SLATS*

Dwg Ref	QUANTITY	PART #	DESCRIPTION
A	<b>77</b>	<b>26513</b>	REGULAR SLAT OASIS TAUPE 54" (53 5/8)

\*\*\* Packaging Materials Used (These are not pool components!) \*\*\*

	<b>1</b>	<b>97-0210T</b>	CK 52" UPRIGHT(TOP)
	<b>1</b>	<b>97-0210B</b>	CK 52" UPRIGHT(BOTTOM)

**CW54RB-4722B**

FRAME COMPONENTS - WALL SLATS

Dwg Ref	QUANTITY	PART #	DESCRIPTION
B	<b>1</b>	<b>26341</b>	SKIMMER SLAT TAUPE 54" (53 5/8" OAS-PRO)
C	<b>1</b>	<b>26342</b>	RETURN SLAT TAUPE 54" (53 5/8" OAS-PRO)
D	<b>22</b>	<b>26515</b>	BEAM SLAT OASIS TAUPE 54" (53 5/8")
	<b>1</b>	<b>89123</b>	WALL/54 SLAT INTREPID 10 PACK
A	<b>47</b>	<b>26513</b>	REGULAR SLAT OASIS TAUPE 54" (53 5/8)

\*\*\* Packaging Materials Used (These are not pool components!) \*\*\*

	<b>1</b>	<b>97-0057T</b>	CARTON-EMPTY(6" BAY/SW-RND T.R. CMN)T
	<b>1</b>	<b>97-0057B</b>	CARTON-EMPTY(6" BAY/SW-RND T.R. CMN)B



**CW54RB-6414**

FRAME COMPONENTS - WALL SLATS

Dwg Ref	QUANTITY	PART #	DESCRIPTION
D	<b>14</b>	<b>26515</b>	BEAM SLAT OASIS TAUPE 54" (53 5/8")
A	<b>64</b>	<b>26513</b>	REGULAR SLAT OASIS TAUPE 54" (53 5/8)

\*\*\* Packaging Materials Used (These are not pool components!) \*\*\*

	<b>1</b>	<b>97-0272T</b>	CARTON-EMPTY (SLS/SIL 15/18/20 TR/UP)T
	<b>1</b>	<b>97-0272B</b>	CARTON-EMPTY (SLS/SIL 15/18/20 TR/UP)B