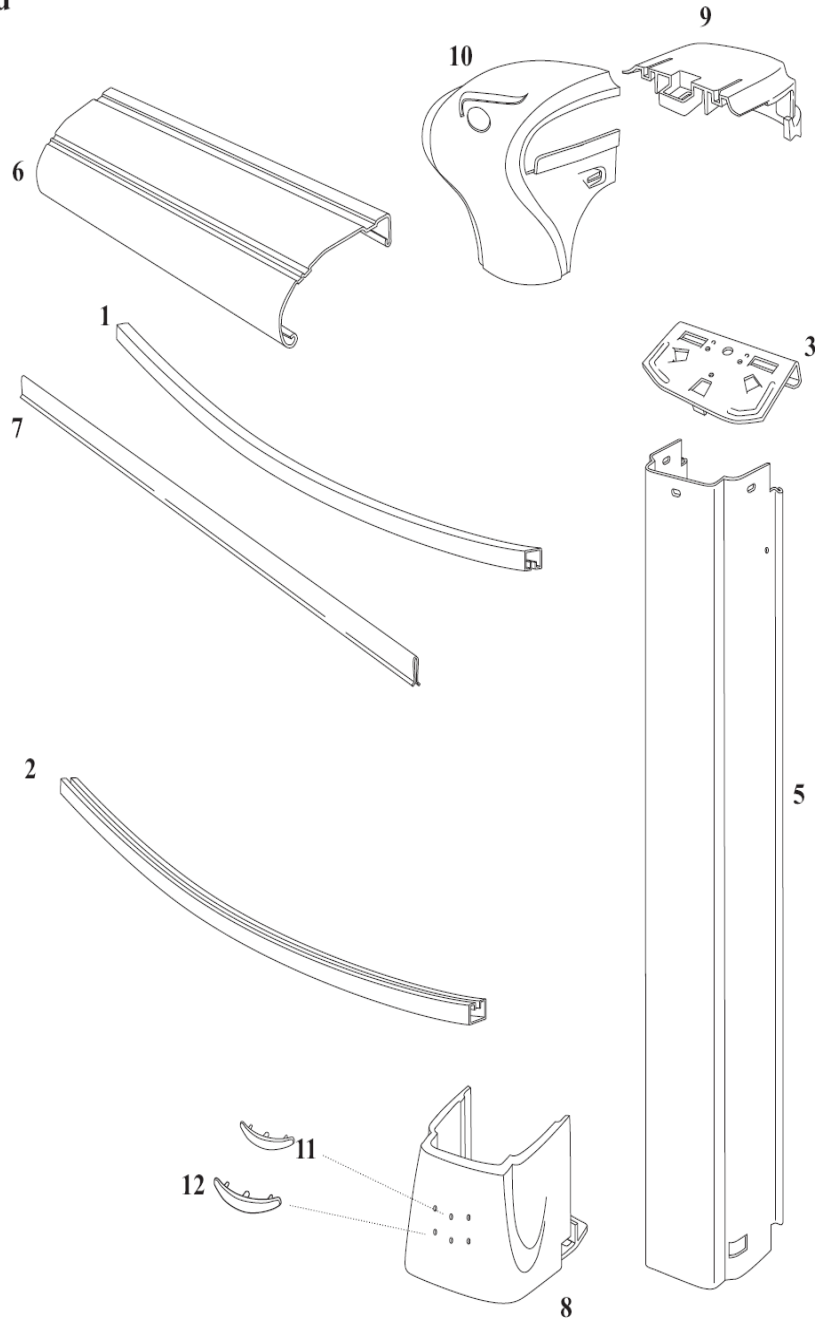


Bermuda 54" (Oasis)
POAS_54AAAARJ1
Round



Revision Date: 5/20/09

BERMUDA 28' – 54"
NB1254

FRAME CARTON # CROAS28TA-21			
Key	Item #	Mfg Part #	Description
6	NBP3036	29804	TOP RAIL
FRAME CARTON # CROASUA54-21			
5	NBP3032	29799	UPRIGHT
FRAME CARTON # CROAS28-AARJ1			
1	NBP3027	26468	TOP TRACK 45 ¼ "
2	NBP3025	26466	BOTTOM RAIL 48"
3	NBP3103	16298	TOP PLATE 6 ½"
7	NBP3013	22650	BEADED LINER TRACK SLAT
8	NBP3110	27117	8" BOOT
9	NBP3104	16300	8" SMALL INNER TOP CAP
10	NBP3105	16301	8" LARGE OUTER TOP CAP CURVED
11	NBP3107	16305	UPRIGHT ACCENT CLIP
12	NBP3108	16356	BOOT ACCENT CLIP

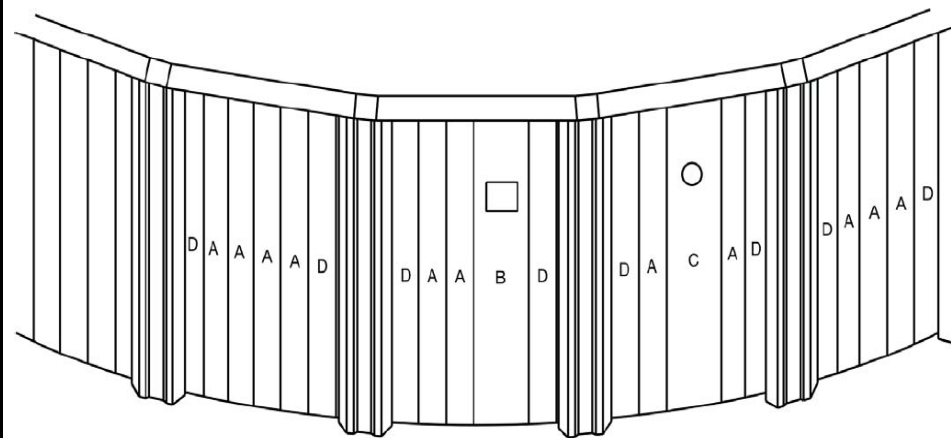
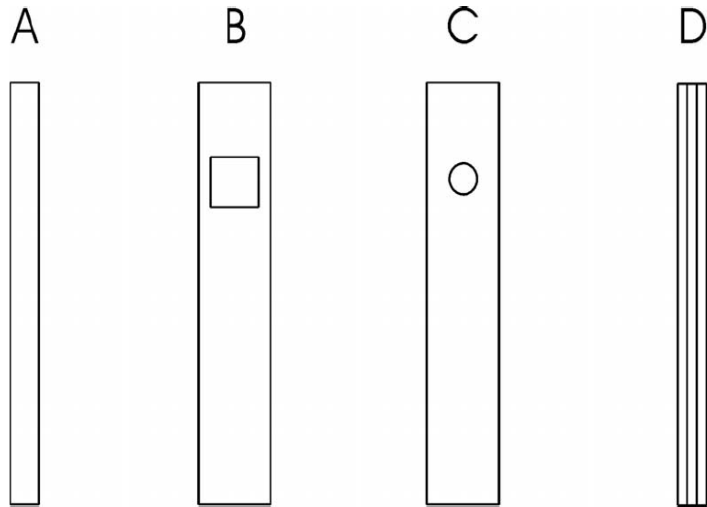
Oasis Slat Wall Pool

POAS_54AAAARJ1

Wall Panel Detail

The Slat Wall system of the Oasis pool features 4 different style aluminum panels that are assembled together to complete the wall of the pool.

See Slat Wall Pool System Instruction Manual for additional detail on assembly.



- A is a regular slat
- B is a skimmer slat
- C is a return slat
- D is a beam slat

BERMUDA 28' – 54"

NB1254

FRAME CARTON # CW54R-50

Key	Item #	Mfg Part #	Description
A	NBP3028	26513	REGULAR WALL SLAT 53 5/8"

FRAME CARTON # CW54R-56

A	NBP3028	26513	REGULAR WALL SLAT 53 5/8"
---	---------	-------	---------------------------

FRAME CARTON # CW54RB-6404

A	NBP3028	26513	REGULAR WALL SLAT 53 5/8"
D	NBP3029	26515	BEAM WALL SLAT 53 5/8"

FRAME CARTON # CW54RB-4722B

A	NBP3028	26513	REGULAR WALL SLAT 53 5/8"
B	NBP3021	26341	SKIMMER WALL SLAT
C	NBP3022	26342	RETURN WALL SLAT
D	NBP3029	26515	BEAM WALL SLAT

Pool Carton Breakout

POAS-2854AAAARJ1

OASIS ROUND 28-54 CC:AAAARJ1

Features: Round
Size: 28
Depth: 54

Structure Composition

Aluminum top rails Aluminum uprights Aluminum bottom rails Aluminum-square stabilizers Resin bottom plates
--

Notes: Component materials specified in "Structure Composition" table

	Qty	Carton Part#	Carton Content Description
<input type="checkbox"/>	1	CROAS28-AARJ1	OASIS - STABILIZER-ALUMINUM; BOTTOM RAIL ALUMINUM; PLASTIC COPING; TOP COVER; TOP PLATE
<input type="checkbox"/>	1	CROAS28TA-21	OASIS - TOP RAIL-ALUMINUM
<input type="checkbox"/>	1	CROASUA54-21	OASIS - 54" UPRIGHT CURVED SIDE-ALUMINUM
<input type="checkbox"/>	1	CW54R-50	UNIVERSAL - RAW EXTRUTIONS
<input type="checkbox"/>	1	CW54R-56	UNIVERSAL - RAW EXTRUTIONS
<input type="checkbox"/>	1	CW54RB-4722B	UNIVERSAL - WALL/52 SLAT TPE INTREPID; SKIMMER GASKET; RAW EXTRUTIONS; WALL COILS & SLATS PAINTED
<input type="checkbox"/>	1	CW54RB-6420	UNIVERSAL - RAW EXTRUTIONS; WALL COILS & SLATS PAINTED

CROAS28-AARJ1

OASIS 28 POOL COMPONENTS - CURVED-SIDE

Dwg Ref	QUANTITY	PART #	DESCRIPTION
9	21	16300	TC 8" MOSAIC SML1/2 INNER
10	21	16301	TC 8" MOSAIC LG 1/2 OUTER CVD (ANT/LYR)
12	21	16356	ACCENT CLIP PUMICE RESIN LARGE BOOT(LYR)
11	63	16305	ACCENT CLIP PUMICE RESIN 3-EA UR(LYR)
	1	95-0007	ENVELOPES SAFETY COMPLETE
	1	95-0223	SHARKLINE WARRANTY DIAMOND SERIES BLUE
	1	95-0443	INSTRUCTIONS POOL BLANK ROUND 2007
	1	95-0734	INSTR INSTALL SLAT WALL POOL ROUND
	1	10183	HDW SS 28'
2	21	26466	BTM RAIL ALUM SLAT WALL 14'0"R 48"
1	21	26468	TOP TRACK ALUM SLAT WALL 14' 0"R 45 1/4"
3	21	16298	TOP PLATE 6.5" LYR
8	21	27117	TC 8" MOSAIC BOOT CVD ONLY (ANT/LYR)LX
7	22	22650	BEADED LINER TRACK SLAT WALL 49" NOTCHED

*** Packaging Materials Used (These are not pool components!) ***

	1	97-0069T	CARTON-EMPTY (SLS/SIL 24/28/33 TR/UR)T
	1	97-0069B	CARTON-EMPTY (SLS/SIL 24/28/33 TR/UR)B

CROAS28TA-21

OASIS 28 FRAME COMPONENTS - CURVED-SIDE

Dwg Ref	QUANTITY	PART #	DESCRIPTION
6	21	29804	TR 8" TAUPE ALUM OAS/NAV 24/28 49 7/8"

*** Packaging Materials Used (These are not pool components!) ***

	1	97-0069T	CARTON-EMPTY (SLS/SIL 24/28/33 TR/UR)T
	1	97-0069B	CARTON-EMPTY (SLS/SIL 24/28/33 TR/UR)B

CROASUA54-21

OASIS 54 FRAME COMPONENTS - CURVED-SIDE

Dwg Ref	QUANTITY	PART #	DESCRIPTION
5	21	29799	UR 6.5" TPE ALUM 53 13/16 OAS/NAV

*** Packaging Materials Used (These are not pool components!) ***

	1	97-0069B	CARTON-EMPTY (SLS/SIL 24/28/33 TR/UR)B
	1	97-0069T	CARTON-EMPTY (SLS/SIL 24/28/33 TR/UR)T

CW54R-50

FRAME COMPONENTS - WALL SLATS

Dwg Ref	QUANTITY	PART #	DESCRIPTION
A	50	26513	REGULAR SLAT OASIS TAUPE 54" (53 5/8)

*** Packaging Materials Used (These are not pool components!) ***

	1	97-0210B	CK 52" UPRIGHT(BOTTOM)
	1	97-0210T	CK 52" UPRIGHT(TOP)

CW54R-56

FRAME COMPONENTS - WALL SLATS

Dwg Ref	QUANTITY	PART #	DESCRIPTION
A	56	26513	REGULAR SLAT OASIS TAUPE 54" (53 5/8)

*** Packaging Materials Used (These are not pool components!) ***

	1	97-0210T	CK 52" UPRIGHT(TOP)
	1	97-0210B	CK 52" UPRIGHT(BOTTOM)

CW54RB-4722B

FRAME COMPONENTS - WALL SLATS

Dwg Ref	QUANTITY	PART #	DESCRIPTION
B	1	26341	SKIMMER SLAT TAUPE 54" (53 5/8" OAS-PRO)
C	1	26342	RETURN SLAT TAUPE 54" (53 5/8" OAS-PRO)
D	22	26515	BEAM SLAT OASIS TAUPE 54" (53 5/8")
	1	89123	WALL/54 SLAT INTREPID 10 PACK
A	47	26513	REGULAR SLAT OASIS TAUPE 54" (53 5/8)

*** Packaging Materials Used (These are not pool components!) ***

	1	97-0057T	CARTON-EMPTY(6" BAY/SW-RND T.R. CMN)T
	1	97-0057B	CARTON-EMPTY(6" BAY/SW-RND T.R. CMN)B

CW54RB-6420

FRAME COMPONENTS - WALL SLATS

Dwg Ref	QUANTITY	PART #	DESCRIPTION
D	20	26515	BEAM SLAT OASIS TAUPE 54" (53 5/8")
A	64	26513	REGULAR SLAT OASIS TAUPE 54" (53 5/8)

*** Packaging Materials Used (These are not pool components!) ***

	1	97-0120T	CARTON-EMPTY(OYB TR 11,15,18,20)T
	1	97-0120B	CARTON-EMPTY(OYB TR 11,15,18,20)B