

The Executive (#5444)

Installation Procedures

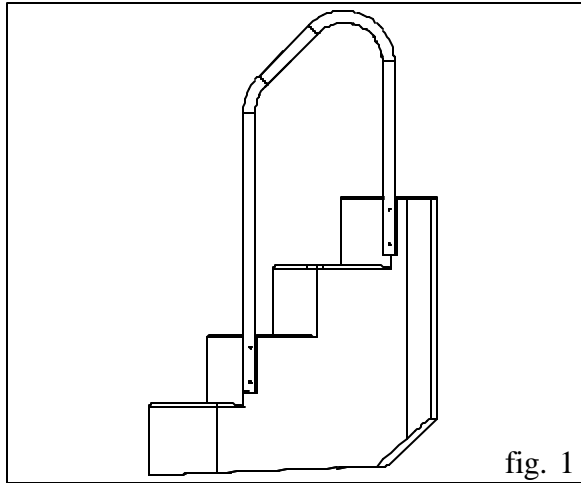


fig. 1

1. Place the rails on the sides of the step. (fig 1).

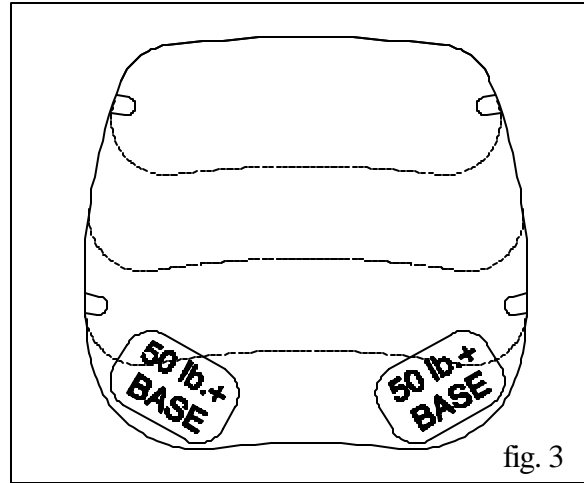


fig. 3

3. Place 2 sandbags, or equivalent weights (min. 50 lbs. each), inside the step and push them to the sides and front (fig. 3).

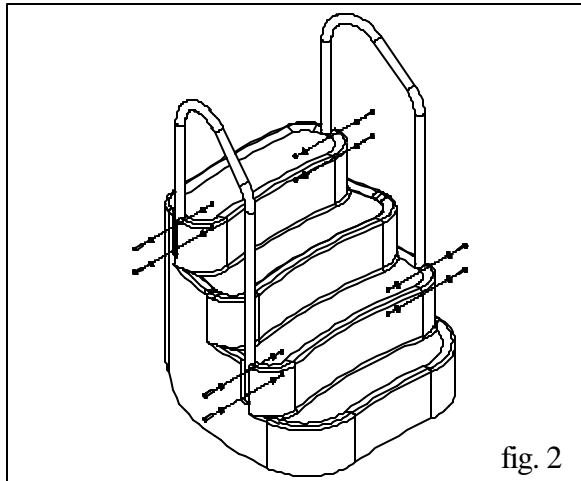


fig. 2

2. Attach the rails to the step using the 2-3/4" bolts, washers, and nuts (fig 2).

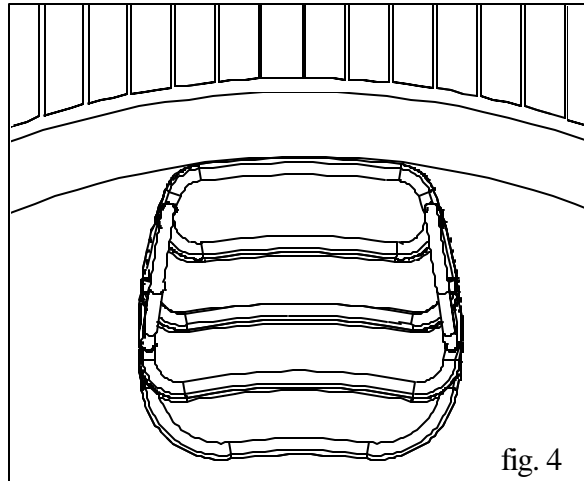


fig. 4

4. Lower the step into the water and move it against the pool wall (fig. 4).

Caution: Do not jump or dive from the step.
The manufacturer is not responsible for damages or injuries caused by improper installation or use.
The step should be removed from the water when temperatures drop below freezing.
Use battery-operated tools, if possible, to avoid electric shock near water.
Ensure no corrosive materials are added to the step.