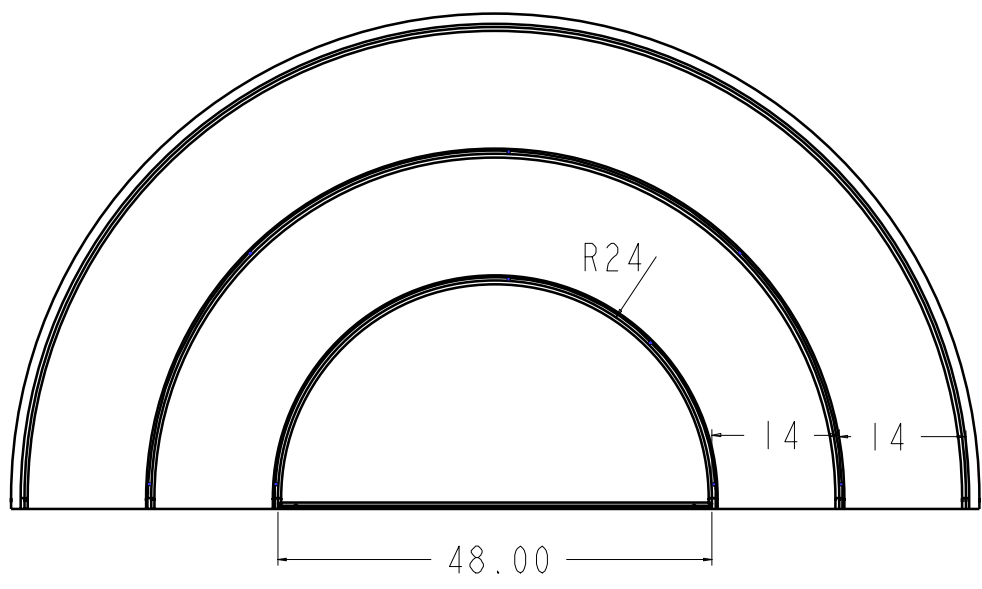
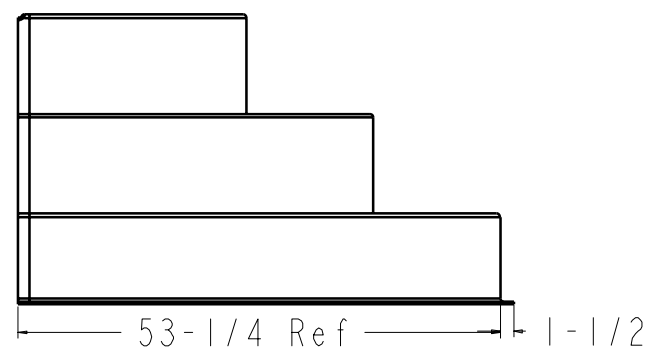
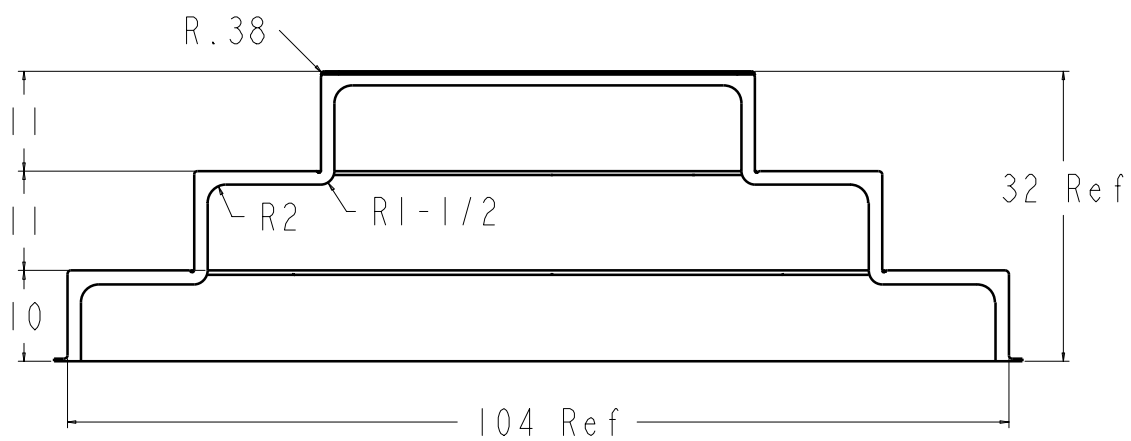


REVISIONS			
REV	DESCRIPTION	BY	DATE
A	Released for Production	CRE	3/14/04
B	Chg Dim 48 to 46	CRE	3/15/04



NOTE: Use template to locate .25" diameter holes: 5 on bottom tread, 4 on middle tread and 3 on top tread. These are used for rod clips and must be accurately located.



Part # ST9001

LATHM PLASTICS		TITLE: Wedding Cake VO	
PART NO: ST9001		SCALE: 1:1	
DESIGNED BY: []	DATE: []	PART NUMBER: ST9001	
CHECKED BY: []	DATE: []	SHEET NUMBER: 1 OF 1	
MATERIAL: ABS		FINISH: []	