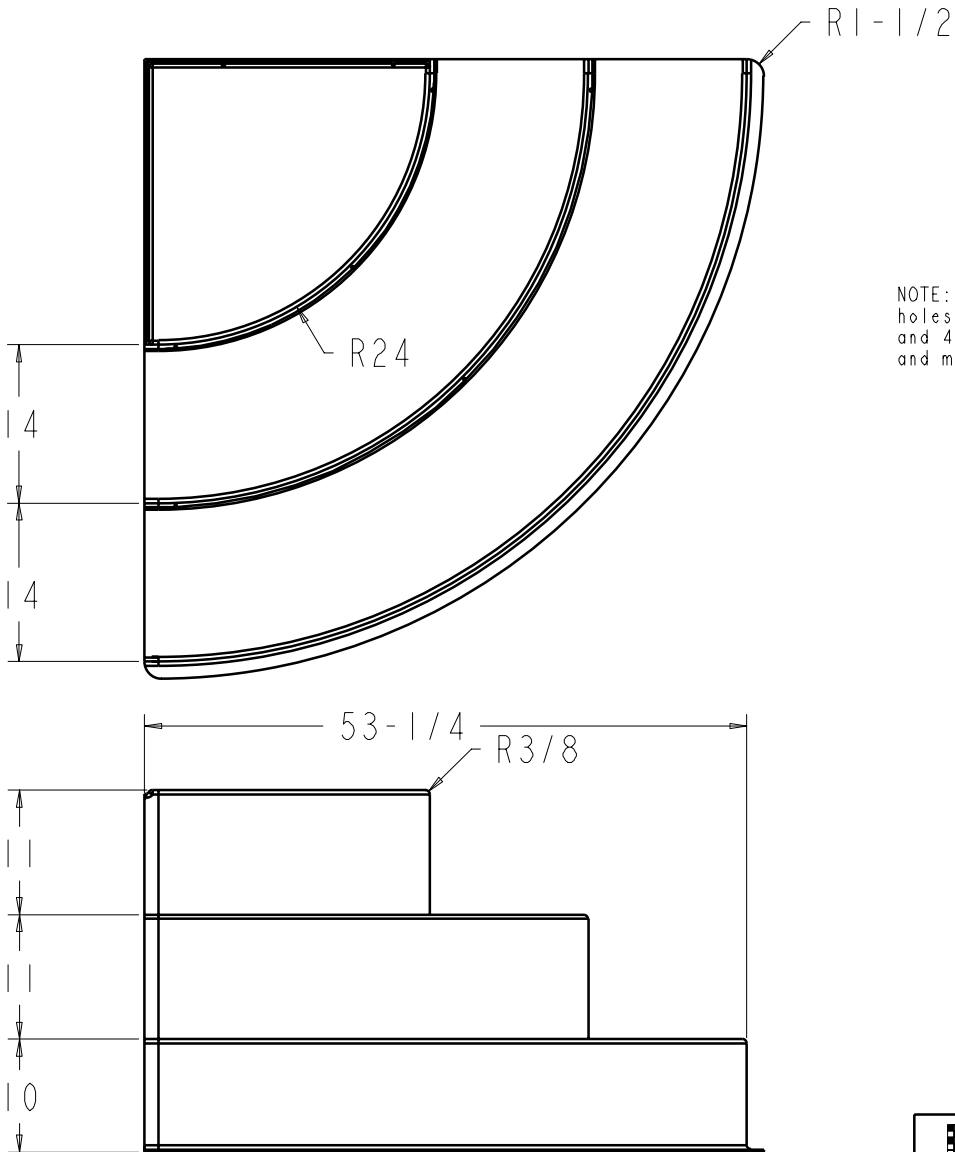


REVISIONS			
REV	DESCRIPTION	BY	DATE
A		CRE	1/07/04



NOTE: Use template to locate .25" diameter holes: 3 on bottom tread, 3 on middle tread and 4 on top tread. These are used for rod clips and must be accurately located.

		<small>This drawing is the property of LATHAM PLASTICS INC. The information is confidential and LATHAM PLASTICS INC. claims PROPRIETARY RIGHTS in the material shown on this drawing. This drawing may not be reproduced for any reason without permission from LATHAM PLASTICS INC.</small>	
<small>787 Watervliet Shaker Road, Latham, NY 12110</small>		<small>TOLERANCES DIMENSIONS ARE IN INCHES</small> x.x ±0.1 x.xx ±0.01 x.xxx ±0.001	<small>TITLE</small> Wedding Cake VO Step 90 Deg Corner
PART WEIGHT: PART STD COLOR: PROCESS: Thermoform PART MATERIAL: ABS	DRAWN BY: CRE APP BY: DATE: 1/07/04	DATE: 1/07/04 DATE: ANGLE ±0.5 THIRD ANGLE PROJ.	<small>SIZE</small> C PART NUMBER ST9002001 A SHT 1 OF 1

Part # ST9002

PART NUMBER ST9002001