

VICTORY TABLE TENNIS ASSEMBLY INSTRUCTIONS



NG2322P3


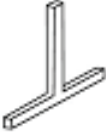




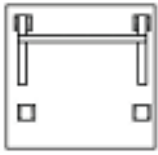
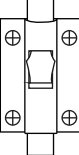

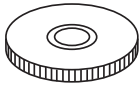
THANK YOU!

Thank you for purchasing this product.

We work around the clock and around the globe to ensure that our products maintain the highest possible quality. However, in the rare instance that your product is defective or missing parts, contact your retailer, or call 800-759-0977, to submit parts requests or warranty claims. Please read the warranty information at the back of these assembly instructions for further details.

**IMPORTANT! PLEASE READ THESE ASSEMBLY INSTRUCTIONS
IN ENTIRETY BEFORE ASSEMBLING YOUR PRODUCT.**

PARTS IDENTIFIER (NOT TO SCALE)

<p>P1</p>  <p>LEG BOLT SET 8 pcs</p>	<p>P2</p>  <p>T-INNER LEG 4 pcs</p>	<p>P3</p>  <p>CROSS BAR 2 pcs</p>	<p>P4</p>  <p>OUTER LEG 2 pcs</p>	<p>P5</p>  <p>LEVELER 4 pcs</p>
<p>P6</p>  <p>CONTROL BRACE 4 pcs</p>	<p>P7</p>  <p>TABLE HALF 2 pcs</p>	<p>P8</p>  <p>SAFETY LOCK 2 pcs</p>	<p>P9</p>  <p>WHEEL 8 pcs</p>	<p>P10</p>  <p>WHEEL WASHER 8 pcs</p>

*Please see Parts List at end of manual for part number when ordering parts.
For replacement parts please call 800-759-0977.*

ASSEMBLY TIPS

1. Find a clean, level surface to begin the assembly of your game table. The table will be partially assembled upside down and then turned over onto its legs. This is a heavy game and turning it over will require at least two strong adults.
2. Remove all of the contents from box and verify that you have all of the parts shown on the Parts Identifier before you begin assembly. **Note: Some parts may be pre-installed or pre-assembled.**
3. Some figures or drawings may not look exactly like your product. Please read and understand the text before beginning each assembly step.
4. **When installing parts that have more than one screw or bolt, hand tighten all screws or bolts in place before final tightening with screwdriver or hex wrench.**
5. Electric screwdrivers may be helpful during assembly; however, please set a **low torque** and use extreme caution because screws may be stripped or overtightened, resulting in damaged parts, if the electric screwdriver's torque is set too high.

WARNINGS!

READ AND FOLLOW ALL ASSEMBLY, OPERATION AND SAFETY INSTRUCTIONS CAREFULLY.

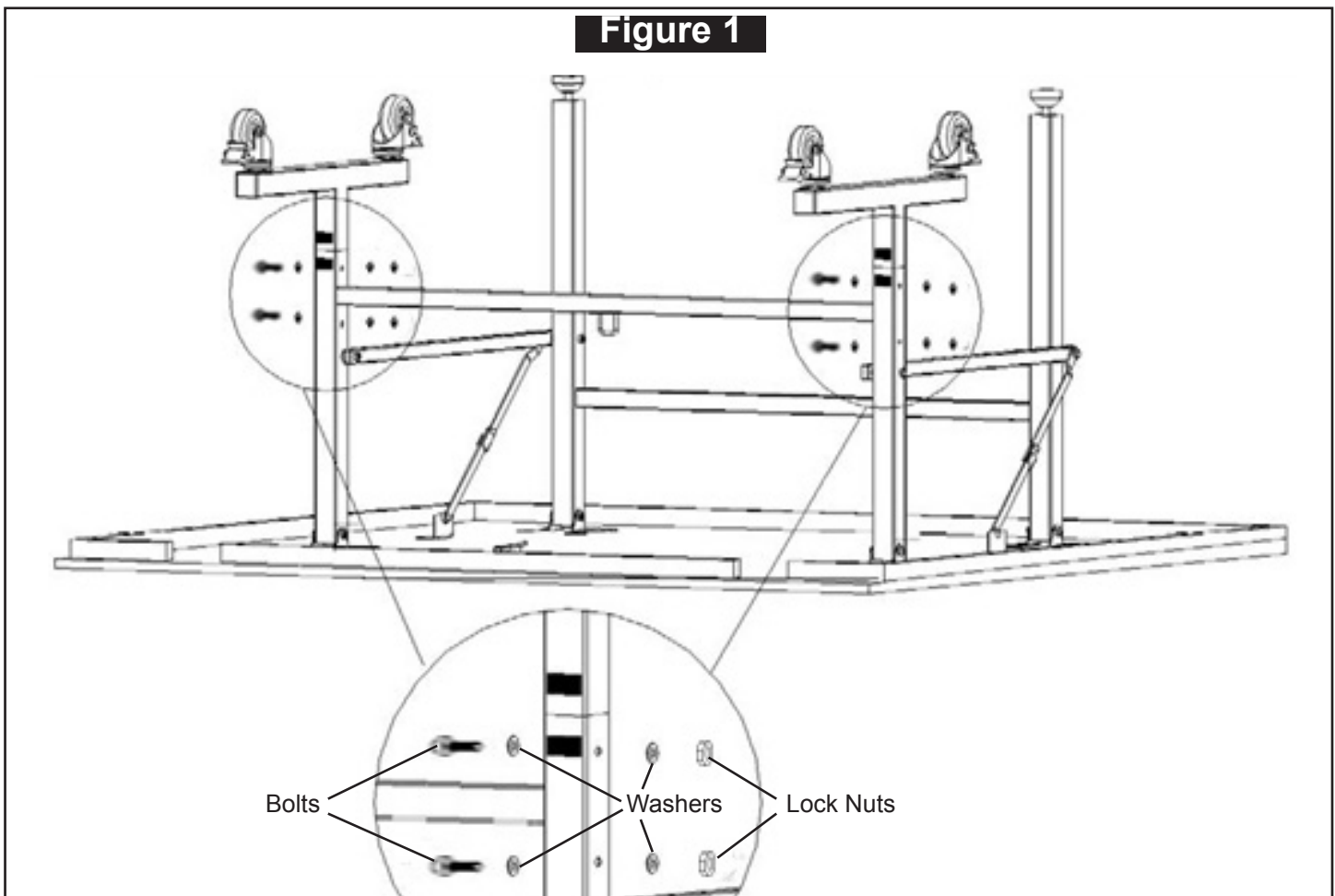
**CHOKER HAZARD - THIS TABLE CONTAINS SMALL BALLS AND PARTS
NOT SUITABLE FOR CHILDREN UNDER 3 YEARS OF AGE.**

ASSEMBLY INSTRUCTIONS

TOOLS REQUIRED: 

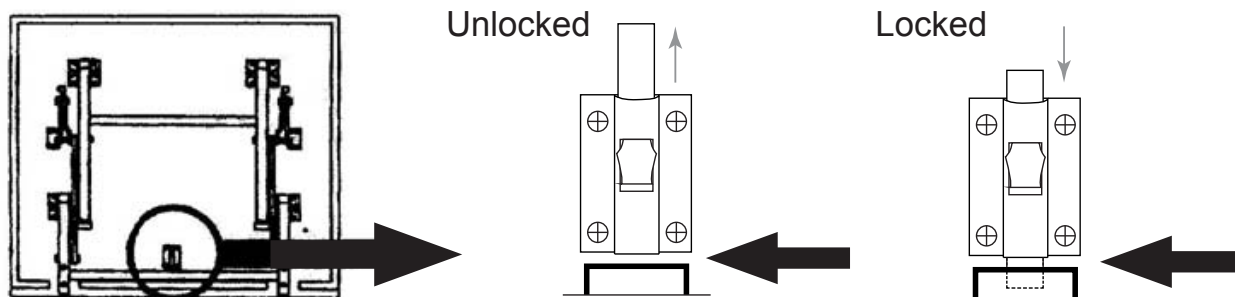
ASSEMBLY INSTRUCTIONS

1. Open the carton and check to make sure you have all accessories and fittings.
2. Carefully lay both table tops flat and face down on a soft surface.
3. Unlock and unfold pre-assembled table and slide “T” rolling leg into designated position.
WARNING: This table is shipped with safety lock in locked position. To prevent damage to table ALWAYS disengage lock before opening legs. ALWAYS open legs by lifting outer legs (hinged side), NOT “T” rolling leg side. Lifting “T” legs first can damage hinges.
4. Install “T” rolling leg according to figure 1 below.
5. Install one wheel washer onto each wheel stem and then screw wheels onto legs as shown.
6. Tighten all screws and carefully turn table over, ready for use.



OPERATING INSTRUCTIONS

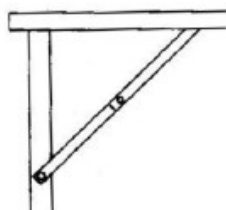
Security Lock Operation



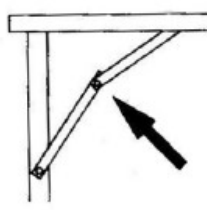
Release the lock before opening the tennis table, and lock it when in folded position.

Leg Hinge

When in Use



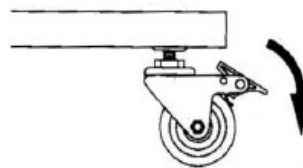
When Collapsing



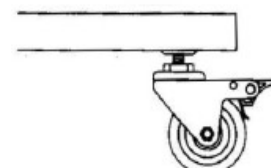
Straighten hinge when using table, and collapse hinge to fold table.

Wheel Operation

Locked



Unlocked



Lock wheels tightly when using table, and unlock for moving and storing.

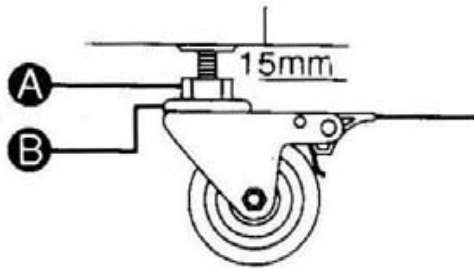
Folding Table for Moving and Storage

1. Make sure wheels are locked.
2. Collapse leg hinges on both sides of table section as shown above.
3. Lift up on end of table, where player would stand, until table is in upright position.
4. Engage security lock in locked position as shown above.
5. Unlock wheels to move.

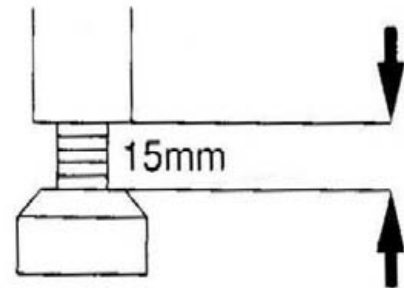
OPERATING INSTRUCTIONS (CONT.)

Height Adjusting Method

Figure 5



The wheel height can be adjusted to a maximum of 15mm.



The foot height can also be adjusted to a maximum of 15mm.

All feet can be adjusted slightly to ensure a level playing surface.

To adjust the table height at wheel, turn Part A (see figure 5 above) counter-clockwise to raise the table, and Part B clockwise to lower it.

To adjust table height at the foot, screw foot counter-clockwise to raise the table, and clockwise to lower it.

CONGRATULATIONS!

You have now assembled your Game Table.
Please note the Care and Use instructions below to ensure years of trouble free use of your game table.

Care and Use

1. This product is intended for **INDOOR** use only.
2. Do **NOT** sit, climb, lean, or place heavy objects on the table.
3. Do **NOT** place hot goods on table top.
4. Do **NOT** move table around quickly.
5. Do **NOT** drag the table when moving it, or move on bumpy, rugged ground, as this will damage the legs.
6. To clean the hard surfaces, spray a cloth with a mild cleaner and wipe. Do **NOT** use corrosive/harsh solvents or abrasive materials that may cause damage to the table surface.
7. Do **NOT** use sharp objects on the table top or painted surface.
8. Move the two halves slightly away from each other before opening and closing to avoid any contact between the tops.
9. Avoid excessive contact of the paddle against the table top.

Note on Safety

1. The table should be used only for its intended purpose. All other uses may be dangerous. The manufacturer cannot be held liable for damage or injury caused by improper use of the table.
2. Instruct others (particularly children) of any potential source of danger, especially when folding and unfolding the table. We recommend this is done by adults only.
3. The table should only be moved in the closed position as otherwise may cause injury.
4. Check all screws, bolts, etc. regularly to ensure that they are in good condition.
5. **CAUTION:** while assembling and using the product, keep parts out of the reach of children (choking hazard – contains small parts).
6. Do not use the table until it has been fully and correctly assembled and checked.

1-YEAR LIMITED WARRANTY

This product is warranted to the original purchaser to be free from defects in material or workmanship for a period of one year from the date of the original retail purchase.

This warranty does not cover defects or damage due to improper installation, alteration, accident or any other event beyond the control of the manufacturer. Defects or damage resulting from misuse, abuse or negligence will void this warranty. This warranty does not cover scratching or damage that may result from normal usage.

This product is not intended for institutional or commercial use; the manufacturer does not assume any liability for such use. Institutional or commercial use will void this warranty.

This warranty is nontransferable and is expressly limited to the repair or replacement of the defective product. During the warranty period, the manufacturer shall repair or replace defective parts at no cost to the purchaser. Shipping charges and insurance are not covered and are the responsibility of the purchaser. Labor charges and related expenses for removal, installation or replacement of the product or components are not covered under this warranty.

The manufacturer reserves the right to make substitutions to warranty claims if parts are unavailable or obsolete.

The manufacturer shall not be liable for loss of use of the product or other consequential or incidental costs, expenses or damages incurred by the consumer of any other use. The user assumes all risk of injury resulting from the use of this product.

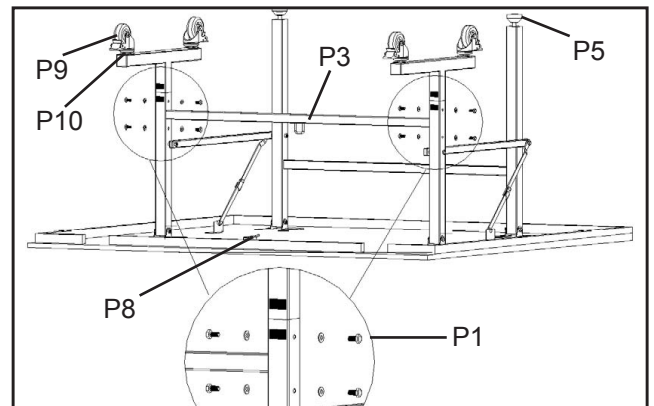
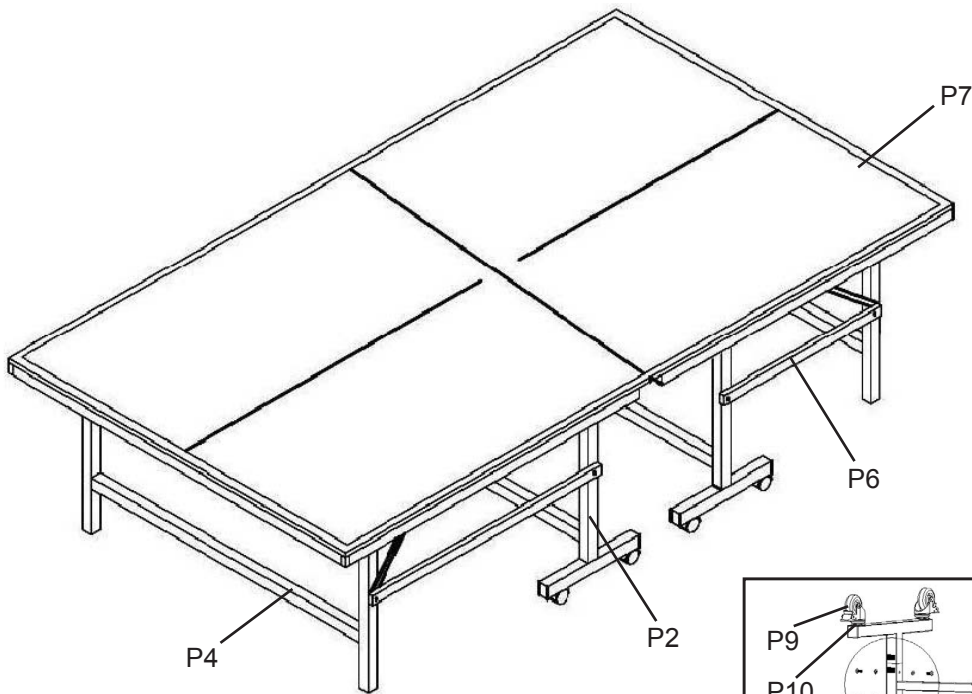
This warranty is expressly in lieu of all other warranties, expressed or implied, including warranties of merchantability or fitness for use to the extent permitted by Federal or state law. Neither the manufacturer nor any of its representatives assumes any other liability in connection with this product.

All warranty claims must be made through the retailer where the product was originally purchased. A purchase receipt or other proof of date of purchase will be required to process all warranty claims. The model number and part numbers found within the assembly instructions will be required when submitting any parts requests or warranty claims.

For further warranty information or inquiries, please call 800-759-0977

VICTORY TABLE TENNIS - NG2322P3

Parts List


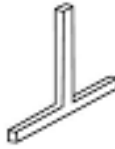
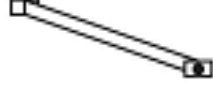



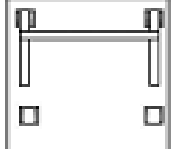
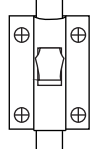
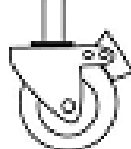
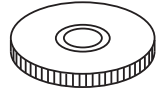


ACCESORIES

NGP5944 Paddles and Balls Set

NGP5945 Net and Posts Set

PARTS

<p>P1 NGP5899</p>  <p>LEG BOLT SET 8 pcs</p>	<p>P2 NGP5908</p>  <p>T-INNER LEG 4 pcs</p>	<p>P3 NGP5909</p>  <p>CROSS BAR 2 pcs</p>	<p>P4 NGP5910</p>  <p>OUTER LEG 2 pcs</p>	<p>P5 NGP5911</p>  <p>LEVELER 4 pcs</p>
<p>P6 NGP5912</p>  <p>CONTROL BRACE 4 pcs</p>	<p>P7 NGP5913</p>  <p>TABLE HALF 2 pcs</p>	<p>P8 NGP5906</p>  <p>SAFETY LOCK 2 pcs</p>	<p>P9 NGP5907</p>  <p>WHEEL 8 pcs</p>	<p>P10 NGP5930</p>  <p>WHEEL WASHER 8 pcs</p>