



# X-STREAM 2™ SLIDE

## Assembly & Installation Instructions

**IMPORTANT**  
**THESE INSTRUCTIONS**  
**MUST REMAIN WITH**  
**THE SLIDE OWNER!**

**NOTE:** The stub-up location for the X-Stream 2 slide is in a different position than the first generation X-Stream slide. If you need X-Stream 1 information, please contact Customer Service at: **1-800-737-5386.**



**3050 S. ALVERNON WAY • TUCSON, AZ 85713**  
**520.790.7040 • 800.737.5386 • FAX 520.790.7127**

***inter-fab.com***

**TABLE OF CONTENTS:**

Important Notices to the Installer.....2

Intended Use Instructions .....3

Water Safety Envelope.....4

Slide Placement & Footprint Diagrams - Left Turn .....5

Slide Placement & Footprint Diagrams - Right Turn.....6

Slide Components .....7

Step 1: Attach Ladder Foot to Ladder .....8

Step 2: Attach Ladder to Entry Section.....9

Step 3: Attach Handrails to Ladder & Entry Section .....9-11

Step 4: Attach Feet to Legs .....12

Step 5: Assemble the Flume Sections.....12-13

Step 6: Alignment of Flume Sections .....13

Step 7: Attach Legs to Flume.....13

Step 8: Attach Entry Section & Ladder to Flume .....14

Step 9: Anchor Slide to Deck .....15

Step 10: Connect Water Supply System .....15

Step 11: Finishing Steps.....16

Final Inspection Check List .....16

Slide Care & Maintenance.....16

Paver Kit Information.....17

Exploded View of X-Stream 2 Slide .....18

Parts List (corresponds with exploded view).....19

Hardware Kit Information.....20

Notes.....21

Inter-Fab Limited Warranty.....22



## **IMPORTANT NOTICES TO THE INSTALLER**

**THE X-STREAM 2 SLIDE CAN BE ASSEMBLED AND INSTALLED IN EITHER A LEFT OR RIGHT TURN CONFIGURATION.**

**INTER-FAB HIGHLY RECOMMENDS THAT YOU READ THE ENTIRE INSTALLATION MANUAL BEFORE YOU ATTEMPT THE INSTALLATION OF THE X-STREAM 2 SLIDE.**

**YOU MUST USE THE PROVIDED ANTI-SEIZE ON ALL THE BOLTS AND ALL-THREADS OR THE NUTS MAY SEIZE.**

**INTER-FAB RECOMMENDS THAT A TWO-PERSON CREW ASSEMBLE THE X-STREAM 2 SLIDE.**

**INTER-FAB HIGHLY RECOMMENDS THAT YOU FOLLOW THE INSTALLATION SEQUENCE IN THIS MANUAL.**

**THE SLIDE POSITIONING GRAPHICS ON PAGES 5 AND 6 ARE FOR REFERENCE ONLY. INTER-FAB STRONGLY RECOMMENDS THAT ONLY THE FULLY AND CORRECTLY ASSEMBLED SLIDE BE USED TO LOCATE THE POSITIONS FOR THE ANCHOR BOLTS AS DESCRIBED ON PAGE 14.**

# INTENDED USE INSTRUCTIONS

1. Everyone who uses this slide must know, understand and follow these instructions
2. The ANSI/NSPI-4 2007 standard for above ground pools prohibits the use of slides or diving boards on above ground pools.
3. **This slide is designed for residential inground pool use ONLY. This slide may not be used on any above ground pool. Such use of this slide may result in serious injury or death.**
4. This slide should never be installed on above ground pools, ponds, floating docks or platforms, boat docks or houseboats or any natural body of water.
5. This slide should never be installed on any commercial, public or semi-public pool.
6. Be familiar with the shape and depth of the pool before you slide. This slide should only be used with the proper water safety envelope, as described in Diagrams A, B & C on page 4 and in accordance with the slide positioning Diagrams D, E, F and G on pages 5 and 6.
7. Because the slide may only be used in water 4' deep or greater, all slide users must be able to swim in deep water.
8. Weight limit for this slide is 250 pounds, no slider weighing more than 250 pounds may use this slide.
9. The surface of the slide is very slippery when wet; **USE CAUTION** when entering the slide and when transitioning from standing to sitting.
10. Slide in a feet first sitting position **ONLY**.
11. **IMPORTANT: sliding headfirst is prohibited:** serious spinal injury resulting in paralysis or death can result.
12. Maintain adult supervision at all times.
13. Only one person at a time is allowed on the slide; this includes the ladder.
14. Be sure the water delivery system is on and lubricating the slide prior to use.
15. Collision with another swimmer or a diver can result in serious injury or death for one or both persons: Before sliding, always make sure that the path in front of the slide is free from any (including submerged) obstructions including other people or objects in the pool such as rafts, inner tubes etc. When a diving board is also present, make sure you do not use the slide while someone is on or using a diving board. Take turns.
16. No roughhousing or horseplay should be allowed on the slide at any time.
17. Do not stand, jump or dive from any part of the slide.
18. Do not slide on objects such as rafts or inner tubes. doing so greatly increases your risk of injury.
19. Do not slide through or at objects such as rafts or inner tubes, doing so greatly increases your risk of injury.
20. Do not use this slide if physically impaired or handicapped without your doctor's permission.
21. Do not use this slide with a history of heart conditions, seizures, back problems, fainting or fear of heights.
22. Do NOT use this slide if you are pregnant.
23. Do not drink alcohol and use this slide.
24. Don't take chances, inspect the slide at least once a year (see the slide inspection list on page 16, do not use the slide if any part becomes loose, damaged, weakened or broken. If necessary, before using the slide again, have it inspected and repaired by a competent professional familiar with pool slides.

## WARNING: SERIOUS INJURY OR DEATH CAN RESULT FROM THE IMPROPER INSTALLATION OR USE OF THIS SLIDE.



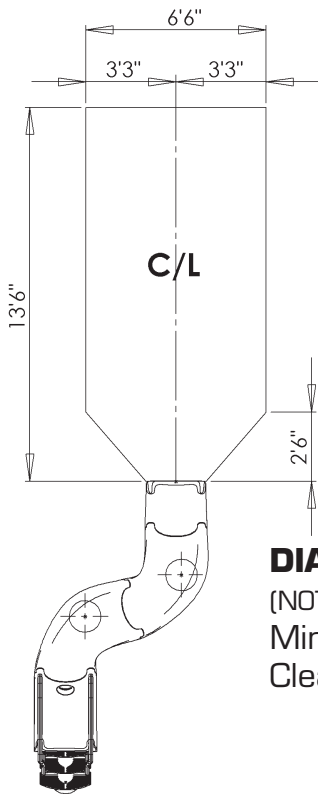
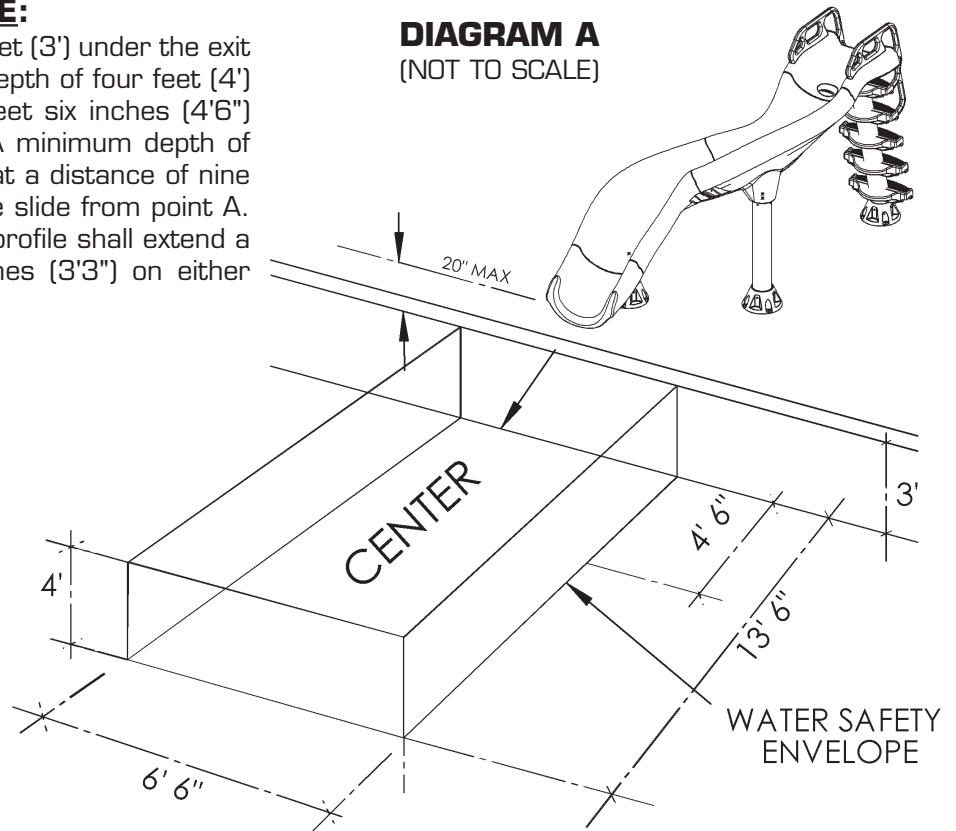
**When installed according to these instructions, this slide conforms to Consumer Product Safety Standard Guidelines.**

**X-STREAM 2**

**WATER SAFETY ENVELOPE:**

A minimum water depth of three feet (3') under the exit of the slide which increases to a depth of four feet (4') at point A which is located four feet six inches (4'6") from the back wall of the pool. A minimum depth of four feet (4') must be maintained at a distance of nine feet (9') along the centerline of the slide from point A. The above described water depth profile shall extend a minimum of three feet three inches (3'3") on either side of the centerline of the slide. (See Diagrams A, B & C)

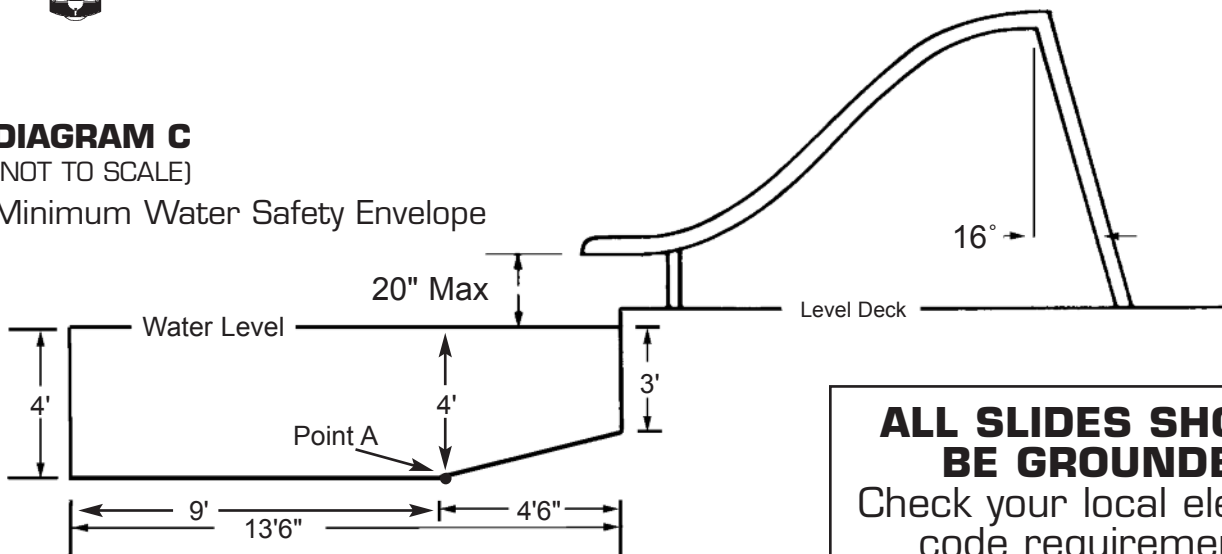
**DIAGRAM A**  
(NOT TO SCALE)



**DIAGRAM B**  
(NOT TO SCALE)  
Minimum Slide  
Clearance Area

**DIAGRAM C**  
(NOT TO SCALE)

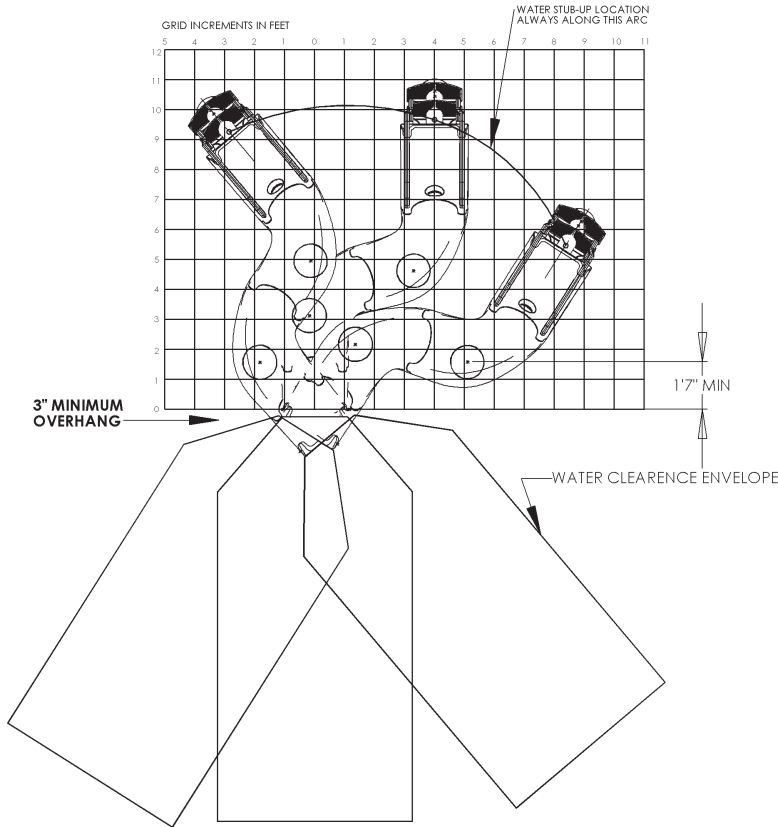
Minimum Water Safety Envelope



**ALL SLIDES SHOULD  
BE GROUNDED**  
Check your local electrical  
code requirements.

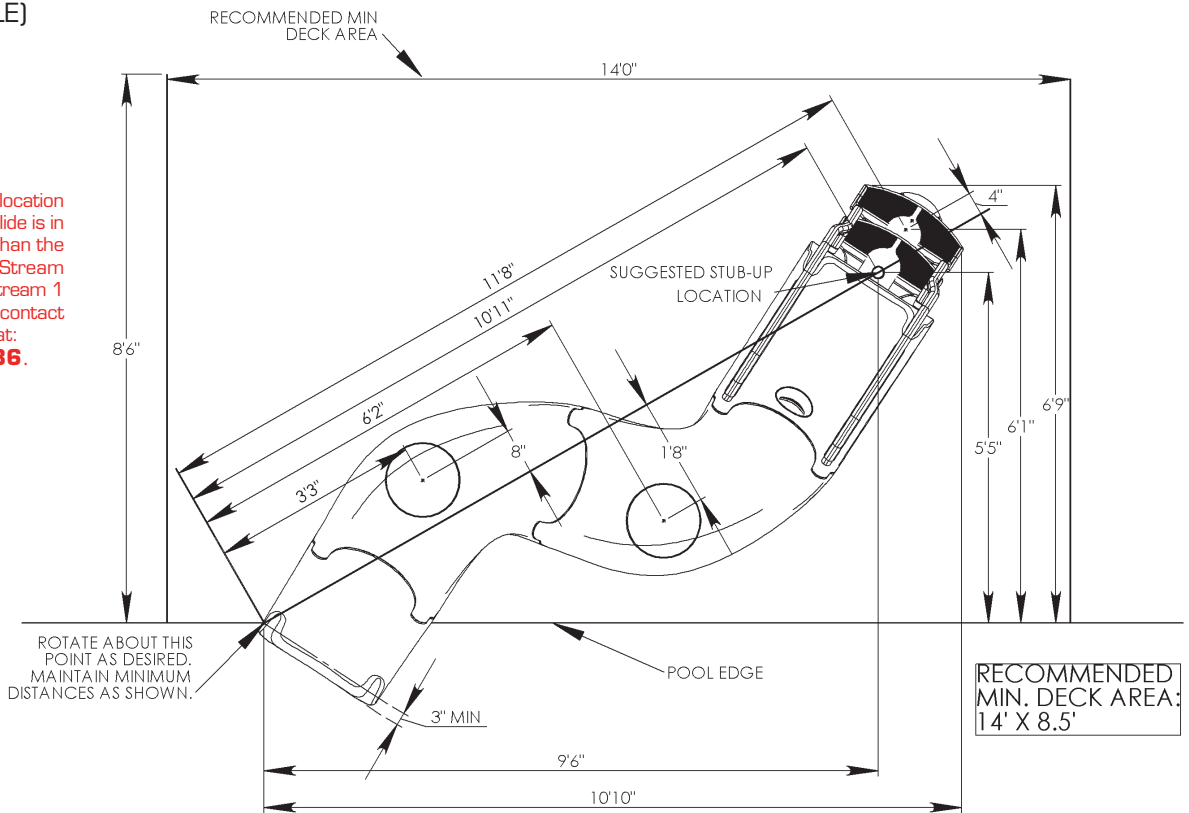
**SLIDE PLACEMENT DIAGRAM & FOOTPRINT DIAGRAM**  
*X-Stream 2 Slide - Left Turn*

**DIAGRAM D**  
 (NOT TO SCALE)



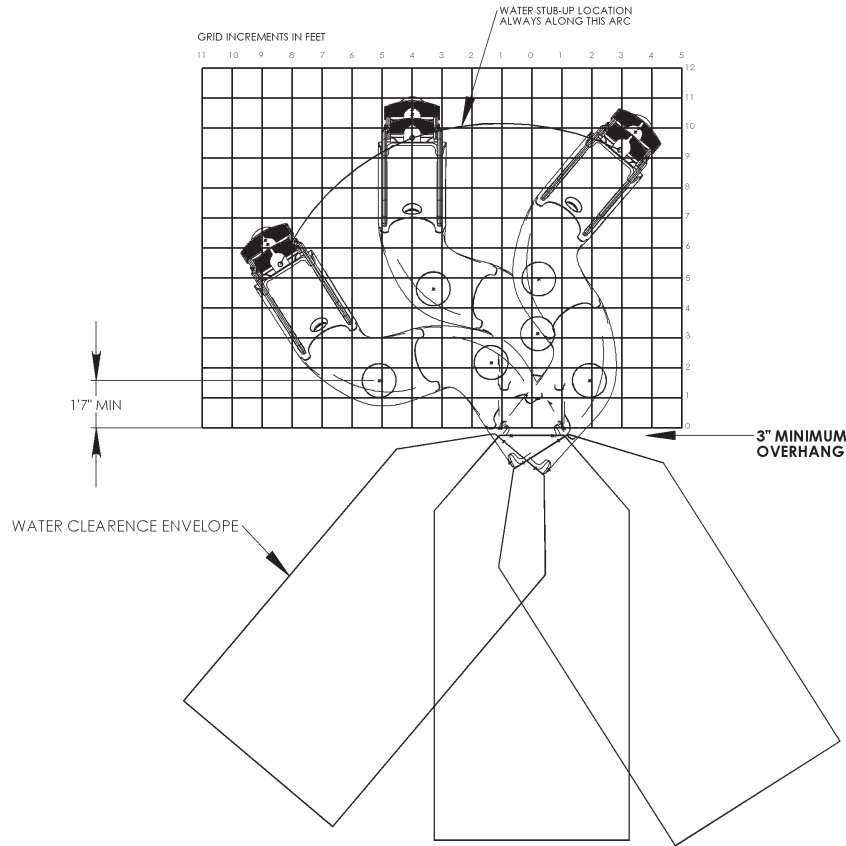
**DIAGRAM E**  
 (NOT TO SCALE)

**NOTE:** The stub-up location for the X-Stream 2 slide is in a different position than the first generation X-Stream slide. If you need X-Stream 1 information, please contact Customer Service at: **1-800-737-5386**.



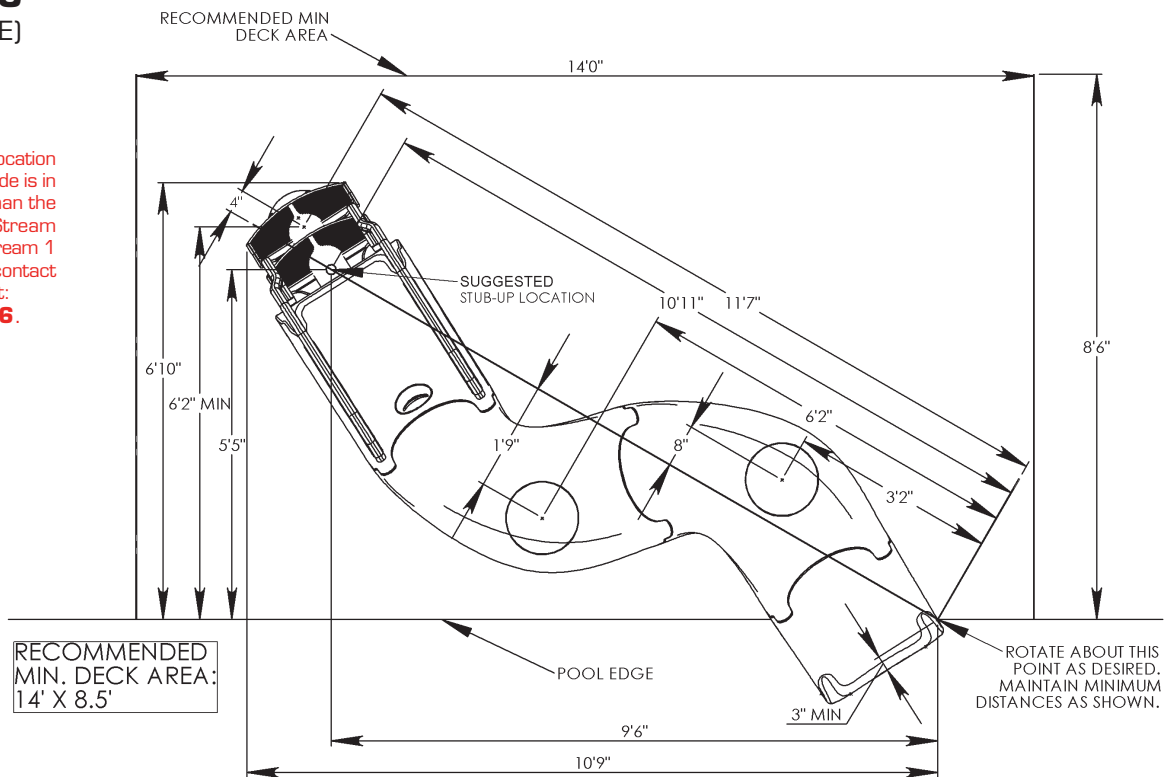
SLIDE PLACEMENT DIAGRAM & FOOTPRINT DIAGRAM  
*X-Stream 2 Slide - Right Turn*

**DIAGRAM F**  
 (NOT TO SCALE)



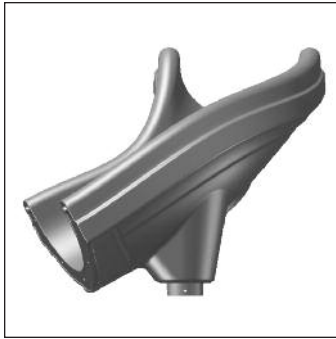
**DIAGRAM G**  
 (NOT TO SCALE)

**NOTE:** The stub-up location for the X-Stream 2 slide is in a different position than the first generation X-Stream slide. If you need X-Stream 1 information, please contact Customer Service at: **1-800-737-5386.**

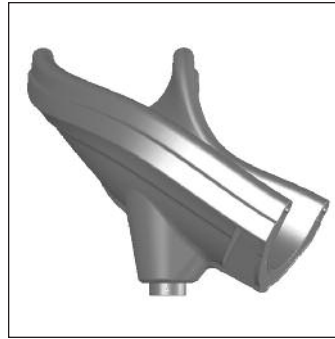


**X-STREAM 2 SLIDE COMPONENTS**

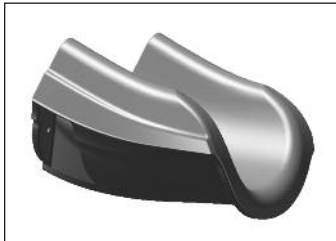
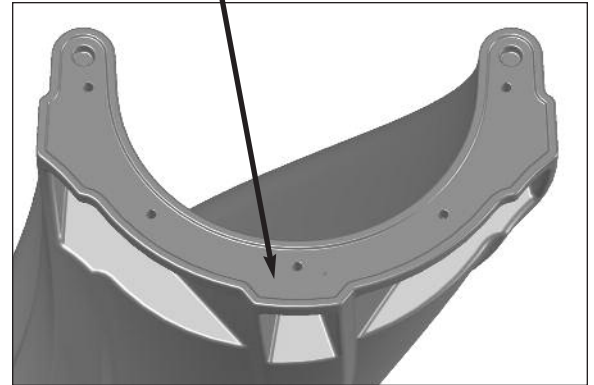
**IMPORTANT:** For a Left Turn Slide, Flume A-B is upper flume, and C-D is the lower flume, in that order. For a Right Turn Slide, C-D is the upper flume and A-B is the lower flume. Flumes are labeled A-B or C-D in small letters centered on flanges.



**A-B Flume**



**C-D Flume**



**Exit Section**



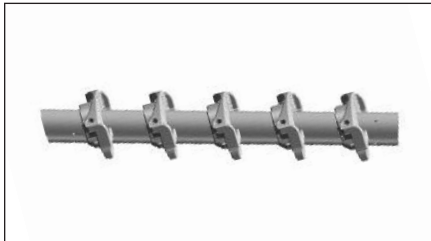
**Entry Section**



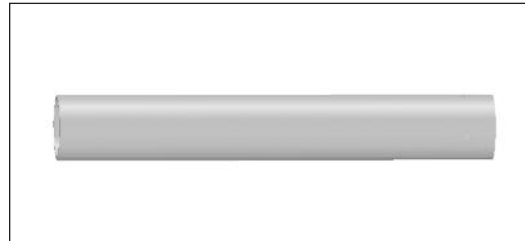
**Straight Foot Pedestal (2)**



**16° Foot Pedestal (1)**



**Step Assembly**



**Long Leg**



**Short Leg**



**Handrail (2)  
1-Right; 1-Left**



**Water Outlet  
(comes with entry section)**



### **LIST OF REQUIRED TOOLS**

**Tools required for assembly and installation of X-Stream 2 slide:**

**NOTE: USE PROVIDED ANTI-SEIZE ON ALL BOLTS!**

1. Hammer
2. 3/8" drive ratchet
3. 3/8" x 6" ratchet extension
4. 1/2" deep socket (deep socket is necessary)
5. 9/16" socket
6. 9/16" box end ratchet wrench
7. Drill with 3/8" masonry bit
8. Tape measure
9. PVC Pipe Cutter

**Note: Use slide box and packaging during assembly to protect slide components from damage from the decking surface.**

## **ASSEMBLY AND INSTALLATION INSTRUCTIONS**

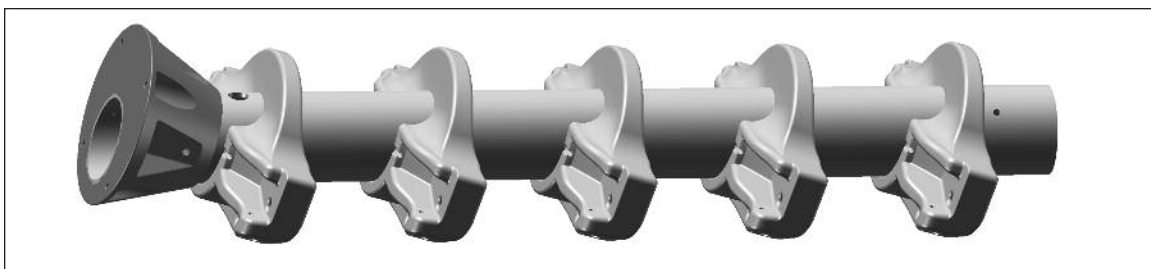
For left turn slides, flume A-B is the upper flume and C-D is the lower flume, in that order. For right turn slides, flume C-D is the upper flume and A-B is the lower.

### **STEP ONE: Attach 16° Foot Pedestal to Step Assembly**

**TIP: The leg foot pedestal for the ladder has a slant inside, the other 2 foot pedestals do not slant. The ladder foot pedestal only utilizes 3 bolts while the other 2 foot pedestals utilize 4 bolts.**

**TIP: Use the provided anti-seize on all the bolts used to assemble this slide or the nuts may seize.**

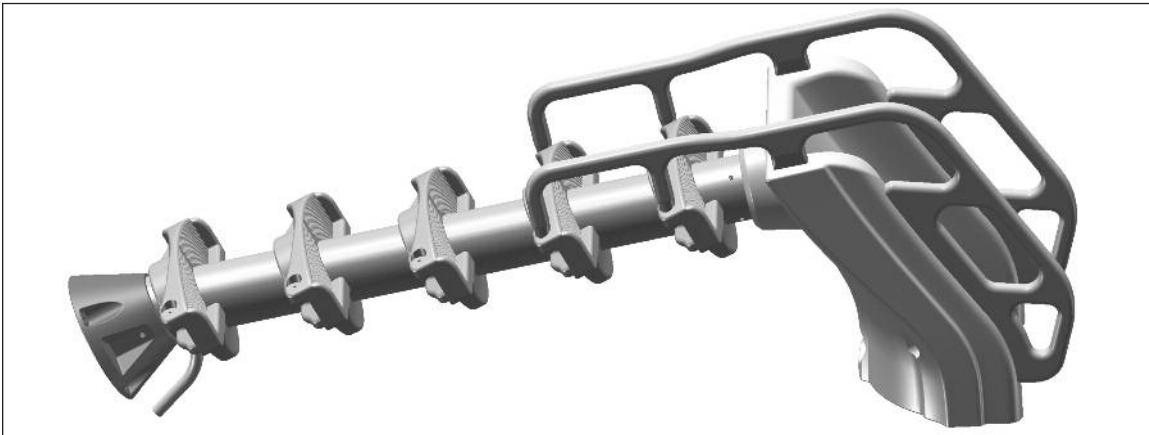
Utilizing hardware kit XS-101-SS, attach the step foot pedestal to the step assembly using (2) 3/8" x 2" bolts and (1) 3/8" x 2.5" bolt. The longer bolt location is just below the water supply hose hole located at the bottom of the ladder. (See Fig. 1) Place a flat washer over a 3/8" bolt; then push bolt through the pre-drilled holes in the PVC ladder and ladder foot, then place flat washer then 3/8" nylon locking nut and tighten.



**Fig. 1**

**STEP TWO: Attach the Ladder to the Entry Section**

Thread the flex PVC hose from the entry section through the step tube assembly and out the pre-drilled hole under the bottom step. Utilizing hardware kit XS-103-SS, attach the ladder to the entry section on the ground. Be careful not to scratch the slide; use the cardboard box the slide arrived in for protection. Insert the top of the ladder into the ladder receiver on the entry section and align the holes. (See Fig. 2) Place a 3/8" lock washer over a 3/8" bolt; then 3/8" flat washer then push bolt through the pre-drilled holes in the PVC ladder into the nuts embedded in the entry section leg receiver, hand tighten only. (These will be tightened after attachment to flume/exit section.)



**Fig. 2: Ladder Step Support Sub-Assembly**

**STEP THREE: Attach the Handrails to the Ladder and Entry Section**

**TIP:** Install the handrails as shown in figure below.

**TIP:** Hand tighten the all-threads into the handrails only, do not use any mechanical means such as a wrench or pliers to tighten the all-threads.

**TIP:** There are 7 all-threads utilized on each handrail. There are 2 different lengths of all-threads used on each handrail. See Fig. 3 to match actual size. (XS2-105-SS Kit)

**TIP:** The offset at the bottom of each handrail faces in as the step attachment point is narrower than the entry section.



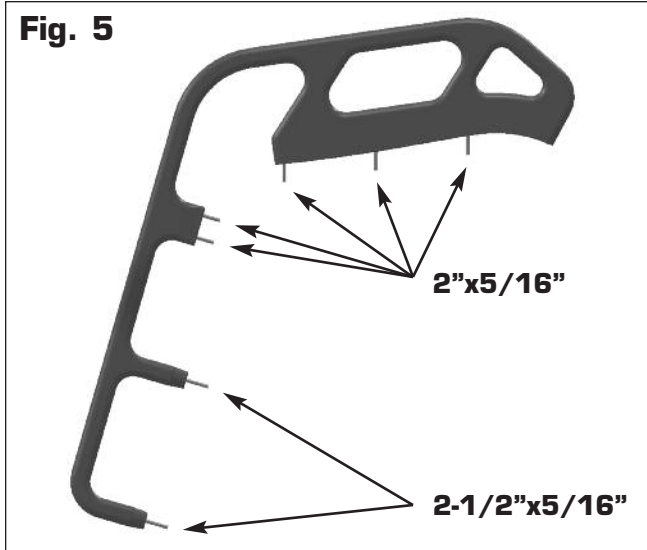
**Fig. 3**



**Fig. 4: Back View of Ladder Section Assembly**

**STEP THREE: Attach the Handrails to the Ladder and Entry Section - CONT.**

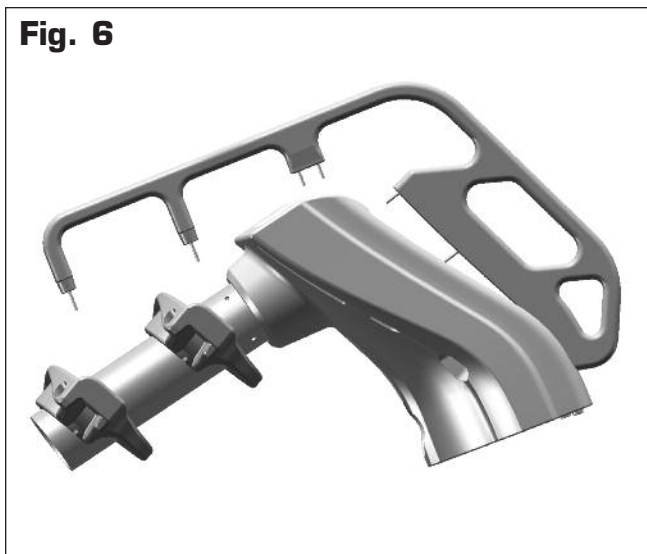
Insert the correct length of all-thread into the nuts embedded in the handrails then attach the handrails as illustrated. (See Fig. 5 and 6)



Hand tighten all-thread into each of the 7 locations on the handrails. Ensure correct length of all-thread is used at each location.

- 5/16" x 2" all-thread (5 each as shown)
- 5/16" x 2-1/2" all-thread (2 each as shown)

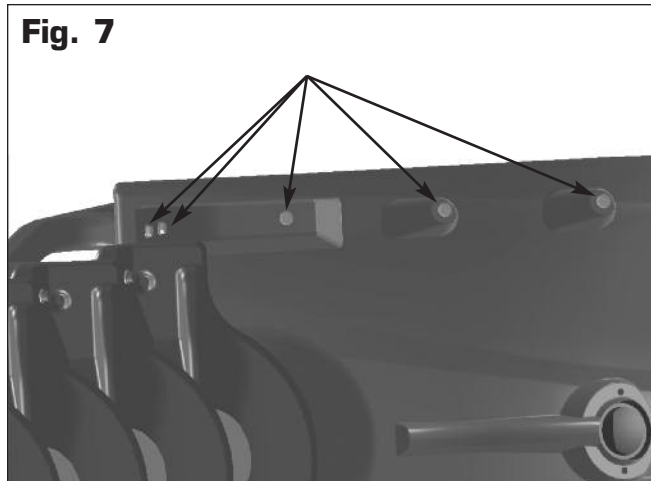
Make sure to use provided anti-seize on the all-thread before inserting into the embedded nuts.



Insert handrail into the top section first as illustrated. Push or pull the handrail apart until the all-threads pass through the 5 holes in the entry section and through the holes drilled in the upper 2 steps.

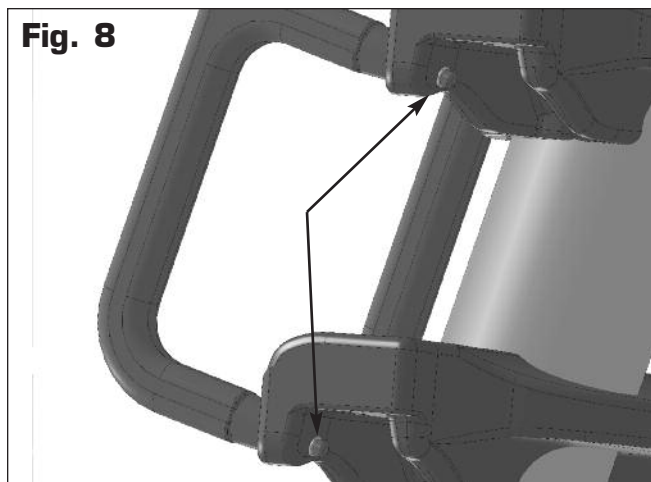
**Make sure to use the provided anti-seize on the flange nut threads before attaching to the all-thread.**

**STEP THREE: Attach the Handrails to the Ladder and Entry Section - CONT.**



These 5 locations on the entry section that receive a flange nut only. A flat washer is not needed. Hand tighten.

Make sure to use the provided lubricant on the all-threads before attaching the flange nuts.



These two locations require a flat washer, flange nut and rubber cap. Hand tighten.

Make sure to use the provided lubricant on the all-threads before attaching the flange nuts.

**NOTE: 1/8" - 1/4" of the all-threads will extend through the flange nut.**

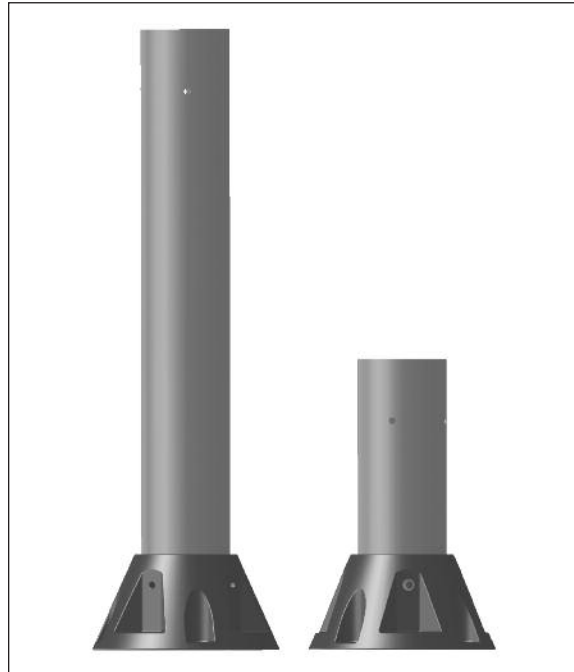
Now tighten all 7 nuts on each handrail and repeat for other handrail.

Don't forget the protective rubber caps. (Back of steps only.)

**STEP FOUR: Attach the Foot Pedestals to the Legs**

**TIP:** Both PVC legs have the same hole drill pattern at each end. There is no top/bottom orientation.

Insert one end of the long PVC leg onto the foot pedestal, align the holes, utilizing hardware kit XS-101-SS, place a flat washer over a 3/8" bolt; then push bolt through the pre-drilled holes in the PVC leg and the foot pedestal, then place flat washer then 3/8" nylon nut and tighten. Repeat the process for the short PVC leg.



**Fig. 9**

**STEP FIVE: Assemble the Flume Sections**

**TIP:** Assemble the flume sections on the ground. Be careful not to scratch the slide; use the cardboard box for protection. Hand tighten the flume bolts for now, they will be fully tightened once the flume is correctly aligned.

**Right Turn or Left Turn Assembly:**

The flumes are labeled A-B or C-D in small letters on the flanges without the gaskets.

To assemble a **Left Turn** slide: flume A-B will be the upper flume and C-D will be the lower flume, assembled in that order.

To assemble a **Right Turn** slide: flume C-D will be the upper flume and A-B will be the lower flume, assembled in that order.

**TIP:** There are 3 factory installed gaskets. Ensure that a gasket is in place on the entry section, and the "B" end of the A-B flume and the "D" end of the C-D flume.

Utilizing hardware kit XS2-102-SS, attach the lower flume to the upper flume. Align the five holes in the flange, push 3/8" bolt through a flat washer, then through the pre-drilled holes in the flanges, then push bolt through a flat washer, then a lock washer and through a 3/8" nut. Hand tighten at this time.

**STEP FIVE: Assemble the Flume Sections - CONT.**

Utilizing hardware kit XS2-102-SS, attach the exit section to the lower flume section. Align the five holes in the flange, push 3/8" bolt through a flat washer, then through the pre-drilled holes in the flanges, then push bolt through a flat washer, then a lock washer and through a 3/8" nut. Hand tighten at this time.



**Fig. 10**

**STEP SIX: Alignment of Flume Sections**

There is enough tolerance in the flange connections to provide a smooth and even transition of the sliding surface between the flume sections.

Once the two flume sections and the exit section are bolted together hand tight, then gently push or pull on the flume sections to ensure a smooth even alignment of the sliding surface.

Next, starting with the exit section, tighten the center bolts first and then tighten the two outer bolts maintaining a smooth sliding surface.

Repeat this process on the flange between the upper and lower flume.

**STEP SEVEN: Attach the Legs to the Flume**

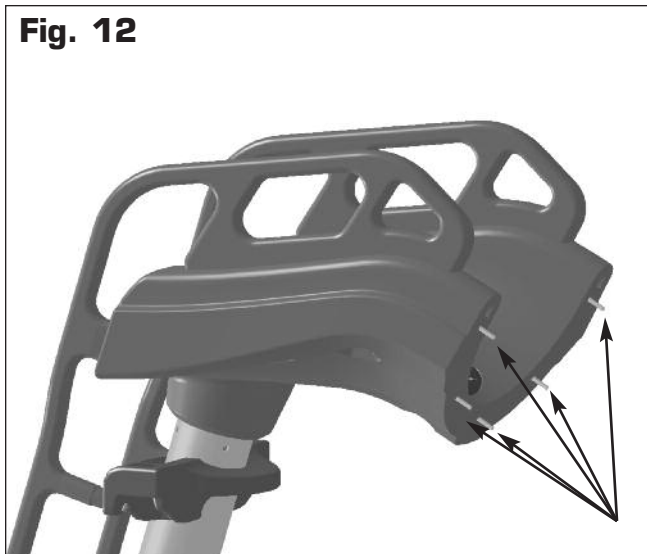
Insert the top of the long leg into leg receiver of the upper flume, and the top of the short leg into the leg receiver of the lower flume. Align holes, then Utilizing hardware kit XS-103-SS, place a 3/8" lock washer over a 3/8" bolt, then 3/8" flat washer, then push bolt through the pre-drilled holes in the PVC ladder into the nuts embedded in the leg receiver, and hand tighten. Do not fully tighten nuts at this time.



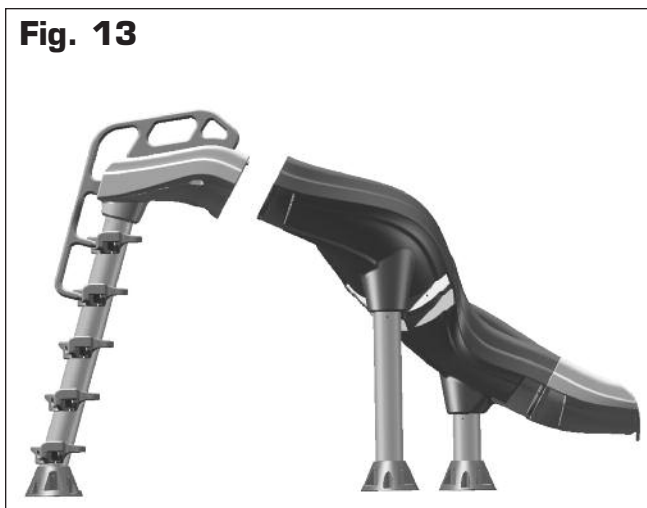
**Fig. 11: Flumes/Exit Assembly**

**STEP EIGHT: Attach the Entry Section & Ladder to the Flume**

Utilizing hardware kit XS2-102-SS, thread the (5) 3/8" x 2.5" all-threads into the embedded nuts in the entry section flange. The all-threads will thread in about 3/4" with approximately 1-3/4" protruding. (See Fig. 12)



**TIP:** Hand tighten the all-threads into the entry section flange only. Do not use any mechanical means such as a wrench or pliers to tighten the all-threads.



With two people, stand the assembled Flumes/Exit Assembly upright and balance on the two legs. Lean the Ladder & Entry Section against the Upper Flume Section. Align the 5 all-threads in the entry section with the 5 holes in the Upper Flume Section and gently push them through. Place a 3/8" flat washer, then lock washer and then a 3/8" nut on each all-thread. Ensure a smooth even alignment of the sliding surface and tighten the nuts in an alternating pattern until all the nuts are uniformly tight.

**Do not over tighten.**

**STEP NINE: Anchoring the Slide to the Deck**

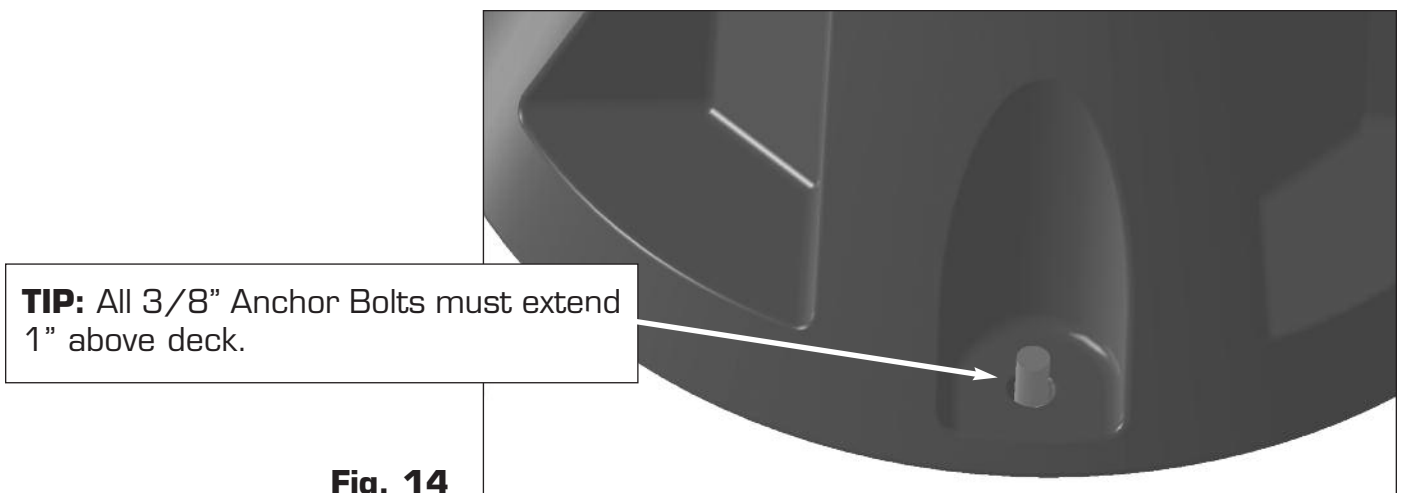
Position the assembled slide on the deck in its correct and final position, then ensure that the long and short legs are plumb by checking each leg with a bubble level on two sides at 90° to each other. Then utilizing a slope finder, ensure that the Ladder is at a 16° slope from vertical as shown in Diagram C on page 4. Once the legs and ladder are correctly oriented, tighten the 4 bolts on each upper PVC leg and step assembly (12 bolts total).

Next, recheck the alignment of the sliding surface, if necessary, loosen the flume nuts and gently adjust for a smooth, even sliding surface. Once aligned correctly, re-tighten the flange nuts in an alternating pattern until the nuts are uniformly tightened and the flume gaskets are fully compressed. **Do not over tighten.**

Now that the slide is in its correct and final position, the 2 legs are plumb, and the ladder is at 16° slope, use the feet as a template to carefully mark the locations for all the anchor bolts. Since it is not possible to drill the anchor bolt holes with the slide in place, gently move the slide to one side allowing sufficient room to drill the anchor bolt holes. Anchor bolts are in Hardware Kit XS-104-SS.

**TIP:** Be careful when drilling the holes for the anchor bolts so as not to drill completely through the deck. It is also **very important** not to drill too deep. The bolt holes must be drilled to the proper depth so that 1" of the anchor bolts extend above the deck.

Gently reposition the slide. Position feet over the anchor bolts, then tighten the anchor bolt nuts. Check and re-tighten **ALL SLIDE CONNECTIONS** at this time.



**Fig. 14**

**STEP TEN: Connect the Water Supply System**

Connect the bottom 1" PVC Flex Pipe to the customer installed water stub-up, as necessary. It is recommended that the provided in-line valve be installed between the slide and the water source so that the water flow can be adjusted as necessary.



**STEP ELEVEN: *Finishing Steps***

- Install protective caps on all exposed bolts.
- Turn water supply on and check water flow.
- Clean Slide and dispose of all debris caused by the installation.

**HINT:** *It is recommended that after several days of use, all visible bolted connections be re-tightened as needed.*

**FINAL INSPECTION / ANNUAL INSPECTION CHECK LIST:**

1. Measure the depth and width of the water in front of the slide as well as the slide's exit height above water to ensure they conform to Diagrams A, B, and C on page 4.
2. Check the slide's position on the deck and ensure it conforms to the diagrams on pages 5-6.
3. Ensure the slide is securely anchored to the deck and stable.
4. Inspect the runway for visible cracks or tears.
5. Inspect the runway and ensure a smooth, even sliding surface. Ensure the gaskets between the flanges are compressed uniformly.
6. Inspect the runway for any water leaks and adjust water flow for even water distribution across sliding surface. Ensure water does not splash outside the runway, and all water running off the slide falls into the pool.
7. Inspect the slide for any loose or corroded fasteners.
8. Ensure there is a protective rubber cap on all exposed nuts and bolts.
9. Inspect all step-attachment points and ensure the steps are seated on the nylon support rods correctly.
10. Inspect the ladder handrails for rigidity and attachment. Can they be pulled out of their sockets?
11. Inspect the slide for sharp edges or protrusions on the ladder, deck flanges, handrails or runway.
12. Make sure the slide warning label is securely adhered to the slide.

**NOTE:** *this installation is not complete until you, the installer, gives the owner's manual to the customer and then reviews the intended use instructions with them.*

**X-STREAM™ SLIDE CARE & MAINTENANCE:**

Your slide requires periodic maintenance to keep it looking like new.

- Wash monthly or more frequently, if needed. Be careful to keep cleaning material from entering the pool.
- Wash with a mild soap such as hand dishwashing soap, avoid using strong cleaners or abrasives. Avoid strong alkaline (such as tri-sodium phosphate) or highly acidic cleaners. Avoid bleach and ammonia.

**\* These suggestions and data based on information believed to be reliable, from our raw materials manufacturers. They are offered in good faith, but without guarantee, as conditions and methods of use and procedures are beyond our control.**

**PAVER KIT INFO - X-STREAM 2**

When installing an Inter-Fab X-Stream 2™ slide using a paver kit, you must ensure that all standard installation requirements are met. The slide must be compatible with the type of pool on the intended installation and all ANSI/NSPI-4 2007 requirements must be met. Refer to installation manual.

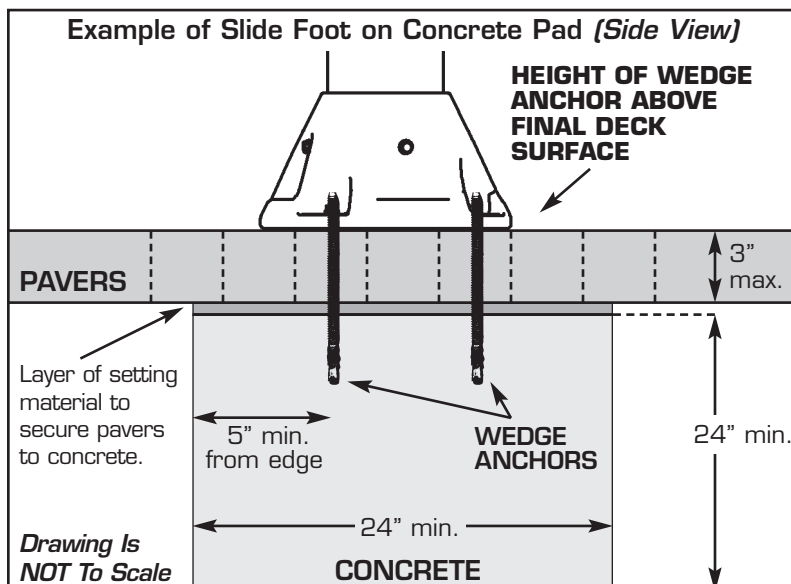
Figure 16 illustrates an example of the minimum concrete pads recommended for the X-Stream 2™ slide. Specific slide positions and concrete pad orientations may vary. Make sure to allow for water stub up location near the ladder foot on the X-Stream 2™ slide. *In order to ensure proper placement, you will need to set the slide up first to determine where the concrete pillars will be located.*

Figure 15 shows an example side view of a slide foot and an wedge anchor used in a paver installation. Pavers can be a maximum of 3" thick. Pavers must be mechanically attached to the concrete pad using a setting material (such as mortar or thinset for example) that is no thicker than 3/8".

1" of each 3/8" wedge anchor needs to be exposed above the final deck surface. You will need to factor in the thickness of your paver (3" MAX.) and the thickness of your setting material (3/8" MAX.) for your individual installation. For the 1/2" wedge anchors, you will leave 1-1/4" exposed above final deck surface.

You will need a 3/8" masonry bit for the X-Stream 2™ slide.

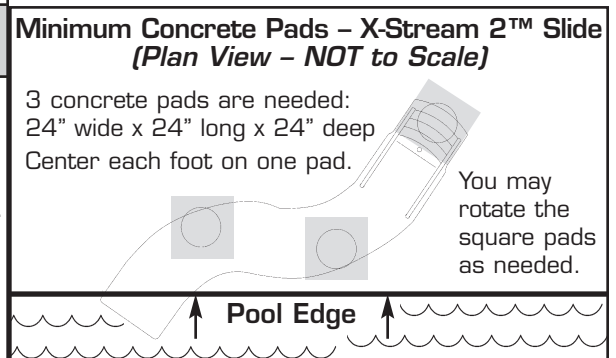
***Inter-Fab Inc. will not be responsible for damage to pavers caused by drilling or mechanically attaching to concrete pad. Refer to paver manufacturer's specific installation instructions before beginning.***



**Fig. 15**

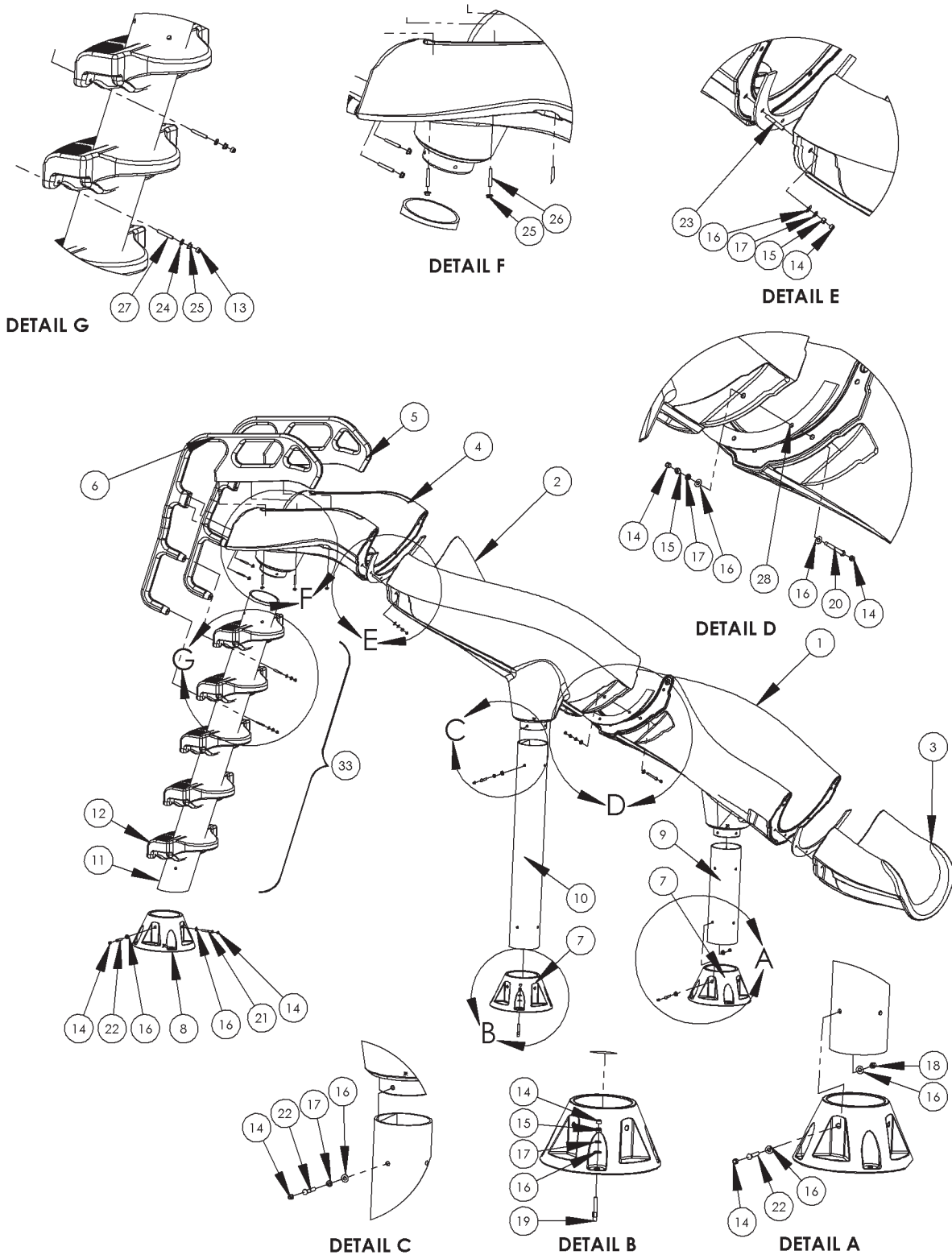
**X-STREAM 2™ NOTES:**

- All X-Stream 2™ wedge anchors (12 ea.) are 3/8" x 7".
- All wedge anchors must be drilled to a depth of 6" with 1" of the bolt above the final deck surface.



**Fig. 16**

**X-STREAM 2™ SLIDE (XS-GR-SS):**



## X-STREAM 2™ SLIDE (XS-GR-SS):

**ALL CHART INFORMATION BELOW CORRESPONDS WITH THE DRAWING ON THE PREVIOUS PAGE.**



**DRAWING REPRESENTS THE FOLLOWING PART NUMBERS:**  
XS-GR-SS

ITEM #	COMPONENT	DESCRIPTION	HARDWARE KITS/PARTS KITS – QTY. COUNTS						STEP ASSEMBLY
			XS-GR-SS	XS-101-SS	XS2-102-SS	XS-103-SS	XS-104-SS	XS2-105-SS	
1	XS-RIGHT FLUME	A & B RIGHT HAND FLUME SECTION	1						
2	XS-LEFT FLUME	C & D LEFT HAND FLUME SECTION	1						
3	XS-EXIT	BOTTOM SECTION	1						
4	XS-ENTRY	TOP SIDE SECTION WITH WATER OUTLET	1						
5	XS-L HANDRAIL	LEFT HANDRAIL WITH X-STREAM LOGO	1						
6	XS-R HANDRAIL	RIGHT HANDRAIL WITH X-STREAM LOGO	1						
7	XS-FOOT PEDESTAL	STRAIGHT FOOT PEDESTAL	2						
8	XS-16 FOOT PEDESTAL	16 DEGREE FOOT PEDESTAL	1						
9	H-6 X 21.250	6" X 21.250" GRAY PVC PIPE SCHEDULE 40	1						
10	H-6 X 45.375	6" X 45.375" GRAY PVC PIPE SCHEDULE 40	1						
11	H-6 X 71.5	6" X 71.5" GRAY PVC PIPE SCHEDULE 40							1
12	XS-STEP	X-STREAM BLOW MOLDED STEP							5
13	H-.463 X .310 CAP	GRAY PROTECTIVE CAP						4	
14	H-.562 X .390 CAP	GRAY PROTECTIVE CAP		11	25	12	12		
15	H-SS 3/8 F NUT	3/8" FINISH NUT S.S.			15				
16	H-SS 3/8 FLT WASHER	3/8" X 1" FLAT WASHER S.S.		22	25	12			
17	H-SS 3/8 LOC WASHER	3/8" LOCK WASHER S.S.			15	12	12		
18	H-SS 3/8 NYLON	3/8" NYLON INSERT NUT S.S.		11					
19	H-SS 3/8 WEDGE	3/8" X 2-3/4" WEDGE ANCHOR W/NUT & FLAT WASHER S.S.					12		
20	H-SS 3/8 X 3 TAP	3/8" X 3" HEX HEAD TAP BOLT S.S.			10				
21	H-SS 3/8 X2-1/2	3/8" X 2-1/2" HEX HEAD BOLT S.S.		1					
22	H-SS 3/8-16X2	3/8" X 2" HEX HEAD BOLT S.S.		10		12			
23	H-SS 3/8X2-1/2	3/8" X 2-1/2" ALL-THREAD STUD S.S.			5				
24	H-SS 5/16 FLA WASHER	5/16" FLAT WASHER S.S.						4	
25	H-SS 5/16 HEX FLANGE	5/16" HEX FLANGE NUT S.S.						14	
26	H-SS 5/16 X 2	5/16" X 2" ALL-THREAD STUD S.S.						10	
27	H-SS 5/16 X 2-1/2	5/16" X 2-1/2" ALL-THREAD STUD S.S.						4	
28	H-G4C GASKET	U-SHAPED GASKET - 3 HOLES	3						
29	H-1 BALL VALVE	1" BALL VALVE-SLIP GRAY							1*
30	H-NYLON ROD 101	NAT NYLON ROL 101 .375 DIA.							5*
31	H-1 SPA HOSE	GRAY SPA HOSE FOR STEP ASSEMBLY, 10 FT. LENGTH							10*
32	XS2 WATER OUTLET	COMES AS PART OF ENTRY SECTION	1*						
33	XS-STEP COMP	COMPLETE ASSEMBLED STEP, INCLUDES ITEMS 11, 12, 29, 30, & 31	1						
34	H-ANTI-SEIZE	ANTI-SEIZE PACKET (NOT SHOWN)							

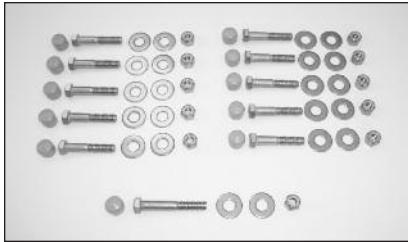
\* not pictured

**NOTES:**

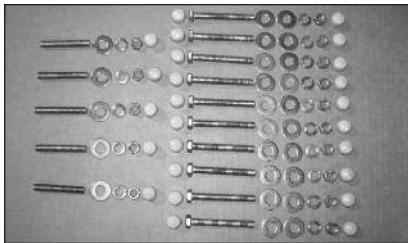
X-Stream 2 slide only comes in Summit Gray  
X-Stream 2 can turn to the right or the left

**HARDWARE NOTE:**  
Use a small dab of anti seize lubricant (included) on all bolt threads.

**X-STREAM 2™ SLIDE HARDWARE KITS**



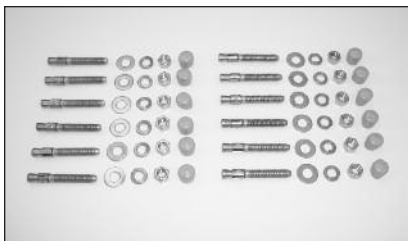
<b>XS-101-SS – PVC LEG TO FOOT RECEIVER</b>		
<b>QTY</b>	<b>PART NUMBER</b>	<b>COMPONENT DESCRIPTION</b>
10	H-SS 3/8-16X2	3/8" x 2" hex head bolt s.s.
1	H-SS 3/8 X2-1/2	3/8" x 2-1/2" hex head bolt s.s.
11	H-SS 3/8 NYLON	3/8" nylon insert nut s.s.
22	H-SS 3/8 FLT WASHER	3/8" x 1" flat washer s.s.
11	H-.562 X .390 CAP	gray protective cap



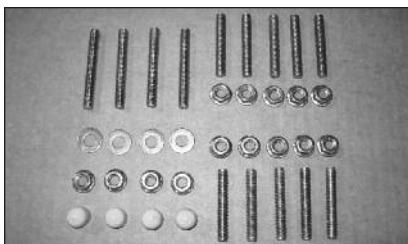
<b>XS2-102-SS – FLUME HARDWARE</b>		
<b>QTY</b>	<b>PART NUMBER</b>	<b>COMPONENT DESCRIPTION</b>
5	H-SS 3/8X2-1/2	3/8" x 2-1/2" all-thread stud s.s.
15	H-SS 3/8 F NUT	3/8" finish nut s.s.
15	H-SS 3/8 LOC WASHER	3/8" lock washer s.s.
25	H-SS 3/8 FLT WASHER	3/8" x 1" flat washer s.s.
10	H-SS 3/8 X 3 TAP	3/8" x 3" hex head tap bolt s.s.
25	H-.562 X .390 CAP	gray protective cap



<b>XS-103-SS – PVC LEG TO FLUME</b>		
<b>QTY</b>	<b>PART NUMBER</b>	<b>COMPONENT DESCRIPTION</b>
12	H-SS 3/8-16X2	3/8" x 2" hex head bolt s.s.
12	H-SS 3/8 LOC WASHER	3/8" lock washer s.s.
12	H-SS 3/8 FLT WASHER	3/8" x 1" flat washer s.s.
12	H-.562 X .390 CAP	gray protective cap



<b>XS-104-SS – FOOT RECEIVER TO DECK</b>		
<b>QTY</b>	<b>PART NUMBER</b>	<b>COMPONENT DESCRIPTION</b>
12	H-SS 3/8 LOC WASHER	3/8" lock washer s.s.
12	H-SS 3/8 WEDGE	3/8" x 2-3/4" wedge anchor w/nut & flat washer s.s.
12	H-.562 X .390 CAP	gray protective cap



<b>XS2-105-SS – HANDRAIL HARDWARE</b>		
<b>QTY</b>	<b>PART NUMBER</b>	<b>COMPONENT DESCRIPTION</b>
10	H-SS 5/16 X 2	5/16" x 2" all-thread stud s.s.
4	H-SS 5/16 X 2-1/2	5/16" x 2-1/2" all-thread stud s.s.
4	H-SS 5/16 FLA WASHER	5/16" flat washer s.s.
14	H-SS 5/16 SER	5/16" hex flange nut s.s.
4	H-.463 X .310 CAP	gray protective cap

<b>WATER CAP HARDWARE (PRE-ASSEMBLED WITH ENTRY SECTION)</b>		
<b>QTY</b>	<b>PART NUMBER</b>	<b>COMPONENT DESCRIPTION</b>
2	H-SS 1/4 FLAT W	1/4" flat washer s.s.
2	H-SS 1/4 H C/S	1/4" x 1-1/4" hex head bold s.s.



## LIMITED WARRANTY

**Inter-Fab, Inc.** will repair or replace, at its option, any product manufactured by Inter-Fab, Inc. that fails during the applicable warranty period because of a manufacturing or material defect; provided that the defect is not the result of improper installation, improper use or care, negligence, alterations or modifications to the product, or natural accidents (acts of God). The applicable warranty period for products manufactured by Inter-Fab, Inc. is three (3) years from the date of retail purchase, except as specified below:

**Echoes of Nature™** products are individually handcrafted and painted by skilled artisans and as a result, dimensional differences and color variations are normal and are not a basis for warranty coverage. The warranty period for pumps sold with the Echoes of Nature™ products is three (3) years from the date of retail purchase.

**Water Sports™** sports equipment warranty periods are as follows: Volleyball Poles, Basketball Poles, Basketball Rim, and Basketball Backboard are one (1) year from date of retail purchase. Volleyball, Volleyball Net, Basketball, Basketball Net, and pumps are warranted for ninety (90) days from date of retail purchase.

The Board Fall, Board Fall-L (LED), and Board Fall-F (fiber optic) water features, used for the **Jump & Splash™**, **T7™** and **aquaBoard™** products, have a warranty period of one (1) year from the date of retail purchase.

**Zoomerang™** slide products warranty period is one (1) year from the date of retail purchase.

**Build Your Own Slide™** (BYOS™) and **Build Your Own Slide 2™** (BYOS 2™) warranty periods are one (1) year from the date of retail purchase.

**City 2™ Slide** and **City Base™** products warranty period are one (1) year from the date of retail purchase.

Unless expressly stated otherwise all products manufactured by Inter-Fab are for **residential installation (single family residence)** inground pool use only. Inter-Fab, Inc. expressly disclaims any and all warranties and liability arising from the installation or use of its residential products for any non-residential use such as semi-public, public, or commercial applications. Products expressly manufactured for commercial installation and use will be subject to this limited warranty.

This limited warranty is in lieu of all other warranties, whether express or implied. Inter-Fab, Inc. disclaims any warranty of merchantability or fitness for a particular use, and noninfringement in relation to any of its products and Inter-Fab, Inc. is not liable for consequential, incidental or specific damages. This warranty is limited to the repair or replacement of the manufacturing or material defect, or refund of the original purchase price, whichever is less, at the sole option of Inter-Fab, Inc., and expressly does not cover any labor or reinstallation expenses related to the replacement of any and all Inter-Fab products. This limited warranty shall be the sole and exclusive remedy of irrespective of whether the claims are made in contract, tort, warranty, law, equity or by statute.

This warranty is to the original purchaser of the product only. Inter-Fab's limited warranty is neither transferable nor portable from consumer to consumer. The effective coverage date begins at the date of retail purchase. Product owner or representative must notify Inter-Fab, Inc. (or its wholesale agent) in writing, giving a full description of the nature of the product defect or failure along with proof of purchase, serial number(s) of the product and photos within thirty (30) days of the expiration of the applicable warranty period. Inter-Fab, Inc. reserves the right to physically inspect damaged or defective products or components to determine the cause of the damage or defect, prior to authorizing repair or replacement of its products.



**3050 S. Alvernon Way • Tucson, AZ 85713**

**520.790.7040 • 800.737.5386 • Fax 520.790.7127 • inter-fab.com**