

SAVE THESE INSTRUCTIONS

DEALER/INSTALLER: GIVE TO HOMEOWNER

MODEL #7000

“ELIMINATOR” A-FRAME LADDER

**FOR RIGID-FRAMED POOLS ONLY
ASSEMBLY AND INSTALLATION MANUAL**



The Anti-Entrapment Barrier is included in this ladder for the U.S. and Canada only, as required by ANSI/APSP requirements.
The Anti-Entrapment Barrier is NOT intended as a substitute for competent adult supervision.
If you would like to purchase the barrier, please visit our website at: www.conferladders.com



MADE IN THE U.S.A. by:

CONFER
plastics inc.

Model #7000

“ELIMINATOR” A-FRAME LADDER

Adjustable to fit 48” to 54” Rigid-Framed Above Ground Pools

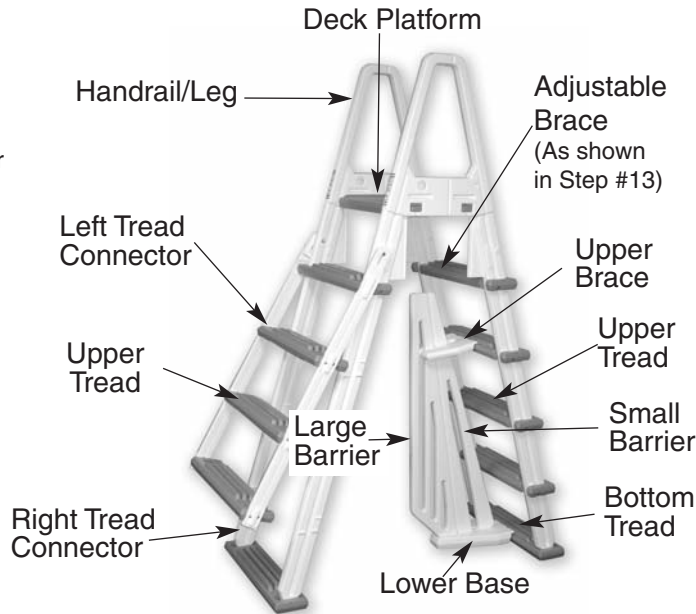
ASSEMBLY INSTRUCTIONS - PLEASE READ BEFORE ATTEMPTING ASSEMBLY

Parts List

- 4 - Handrail / Leg
- 2 - Bottom Treads
- 8 - Upper Treads
- 1 - Left Tread Connector
- 1 - Right Tread Connector
- 1 - Deck Platform with 4 wedges attached

Hardware Pack

- 26 - #10 x 1-1/4" screw
- 2 - 1/4 - 20 x 3-1/4" Bolt
- 6 - 1/4" Washer
- 2 - 1/4" Nylon Nut
- 2 - 1/4 - 20 x 2-1/4" Bolt
- 2 - Hex Nut
- 4 - Push in Plug (white)
- 2 - Adjustable Braces
- 1 - Cable Lock Set



Tools Needed for Assembly

- * - Hammer or mallet
- * - Cordless Drill Motor
- * - 1/8" & 9/32" Drill Bits
- * - Phillips screwdriver bit
- * - Pliers
- * - 7/16" wrench or adjustable wrench
- * - Dish liquid or spray lubricant

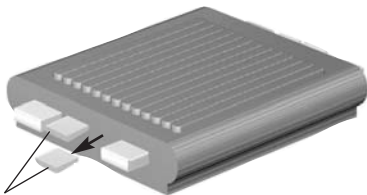
Barrier Parts List (if included)

(Included in Hardware Pack)

- 4 - #10 x 1-1/4" screws
- 1 - Strip of 4 Foam Pads
- 1 - Large Barrier Section
- 1 - Small Barrier Section
- 1 - Upper Brace
- 1 - Lower Base

If missing parts call - Toll free U.S. - 866-396-2968 or www.conferladders.com

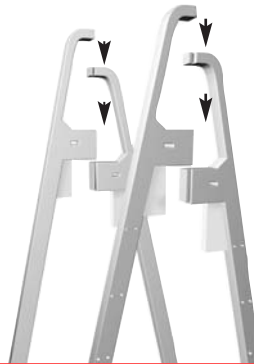
Step 1.



Twist and save. Pliers may be useful to aid in removal.

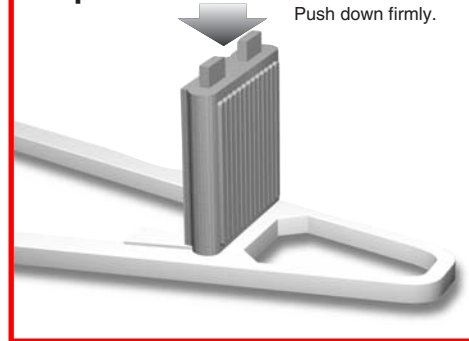
IMPORTANT: Remove the wedges from the deck platform protrusions and SAVE for step 5.

Step 2.



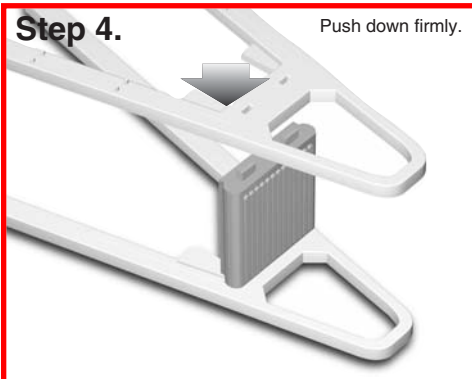
Slide the handrail/ legs together as shown. Apply liquid soap or spray lubricant to aid assembly.

Step 3.



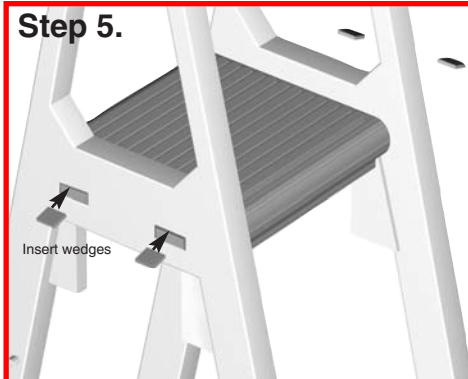
Place one handrail/leg assembly on a clean flat surface and push the deck platform protrusions in the opening.

Step 4.



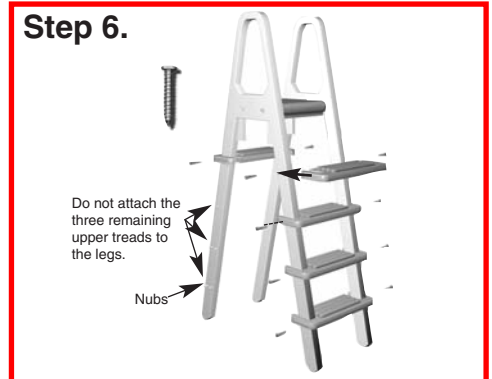
Repeat the process with the second handrail/leg assembly, pushing firmly onto the deck protrusions to ensure a secure fit.

Step 5.



Insert the four wedges that were saved from step 1, into the top of the openings as shown.

Step 6.

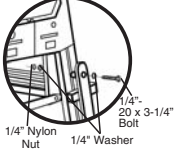


Slide five upper treads into position so they are resting on the double nubs of the legs (as shown in the diagram). Secure the treads to the legs using the #10 x 1-1/4" screws (two per tread), through the pre-drilled holes.

Step 7. Slide the three remaining upper treads into position on the ladder legs.

If Ladder DID NOT include Barrier, skip steps 9 to 11. Continue to step 12.


Step 7a.



1/4" Nylon Nut
1/4" Washer
20 x 3-1/4" Bolt

Position the right and left hand tread connectors on to the ends of the treads and fasten them to the ladder legs with the hardware as shown in diagram 7a above. Tighten the hardware securely but do not over tighten, to allow treads to swing up easily.

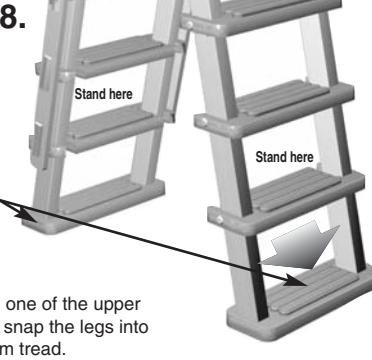
Step 7b.



Tread connectors

Attach the tread connector to the ends of each tread using #10 x 1-1/4" screws (four per tread). Note: the holes in the tread connectors will not line up with the holes in the ends of the treads. Simply drive the screws into the ends of the treads.

Step 8.



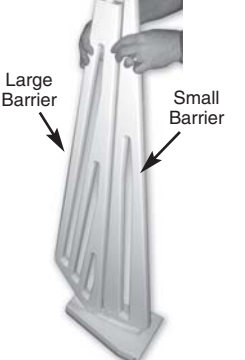
Stand here

Stand here

Attach Bottom treads

Stand on one of the upper treads to snap the legs into the bottom tread.

Step 9.

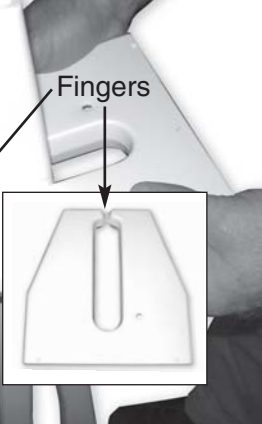


Large Barrier

Small Barrier

Snap Small and Large Barrier Sections into slots on Lower Base as shown.

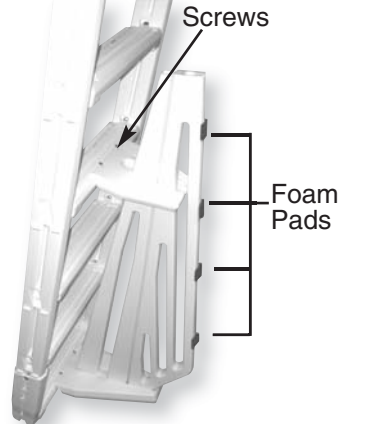
Step 10.



Fingers

Separate Barrier sections at the top slightly and position Upper Brace over Small Barrier Section. Next, spread the "fingers" on the Upper Brace and slide into position on the Large Barrier Section.

11.

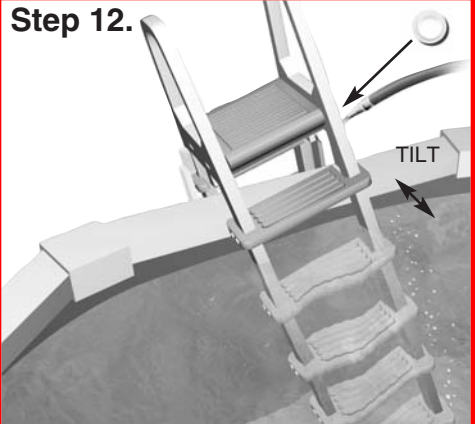


Screws

Foam Pads

Place the Base and Brace into position, centered, on the bottom and fourth treads of the ladder. Install the four (4) #10 x 1-1/4" screws (included in hardware pack) on a slight angle, first in the Upper brace, then in the Lower Base. Install the self-adhering foam strips to the Large Barrier Section as shown in diagram.

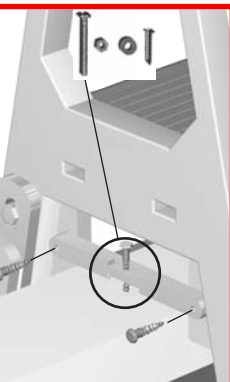
Step 12.



TILT

Place the ladder in the pool and fill legs with water through the openings with a hose. Then plug the holes using the four push in plugs. Tilt it so the air is released from all the submerged treads.

Step 13.

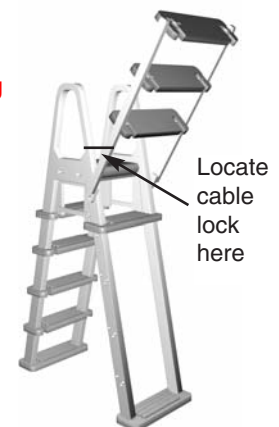


Locate the ladder at the desired position on the pool and place one of the adjustable braces on the side of the ladder so that it rests on the top of the pool. Secure the adjustable brace to the ladder with two #10x 1-1/4" screws. Repeat for other brace. **Note: the adjustable braces are not needed if the deck platform of the ladder rests on the top of the pool.** Using the braces as locators (or the deck platform), drill two 9/32" holes through the pool top seat. Be careful not to damage liner or pool wall. Fasten the ladder to the pool top using the two 1/4-20 x 2 1/4" bolts, washers and hex nuts.

SWING UP INSTRUCTIONS

When not in use **ALWAYS** secure ladder by swinging up outer treads and locking with cable lock provided.

To swing up the outer treads stand on the bottom tread, grasp the underside of the second lowest tread and swing it out toward you. Swing them up until the tread connectors drop into the preformed locks on each leg and stay in the upright position. To lower the treads lift them straight up to clear the locks and carefully swing them down toward you.

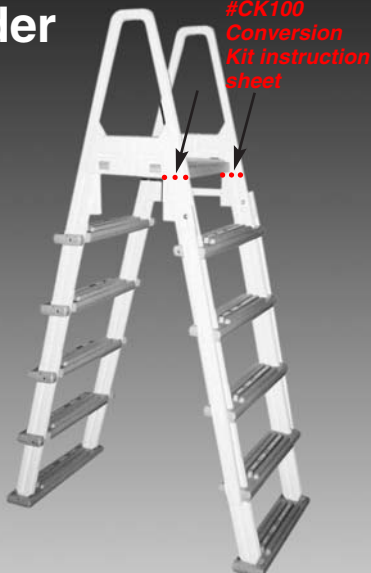


NOTE: Ladder MUST be filled with water to prevent floating.

Winterizing: To winterize your ladder unfasten the ladder from the deck and pull the ladder from the pool. Remove the two plugs and lay the ladder on its side to allow the majority of the water to drain out of it. A small amount of water left in the ladder *will not* cause any damage. Replace the plugs into the fill holes so that they do not get lost. The ladder may be left outside.

To convert this ladder to a Deck ladder

Purchase our #CK100 Conversion Kit and cut the handrails under the deck platform as indicated. *Be sure to cut the legs on the "swing up" side of the ladder.* Follow the instructions provided with the conversion kit to fasten the ladder to the deck.



OPTIONAL ACCESSORIES Order online @ www.conferladders.com

SKIM-IT SKIMS OFF DEBRIS

Cut cleaning time 75% with skimmer extension that guides debris directly into your skimmer. Fits most in-ground and above-ground pool skimmers. Corrosion-resistant plastic Skim-It installs in seconds without tools.



IMPORTANT FOR YOUR SAFETY

- * Check the contents of the carton with the Parts list for this ladder.
- * If any parts are missing call Toll Free U.S. - 866-396-2968 or visit our web site at www.conferladders.com
- * **DO NOT** attempt to assemble or install the ladder if there are **ANY** shortages of parts or hardware.
- * For proper assembly and installation follow all instructions in the sequence shown.
- * Before using the product, after assembly and installation, go over the instructions and procedures again to make sure nothing has been overlooked.
- * Be sure and safe. The manufacturer **IS NOT** responsible for improper assembly, installation and use.

SAFETY RULES

- * Locate ladder on a solid base.
- * One person on the ladder at a time.
- * Ladder **MUST** be installed per manufacturer's instructions.
- * **DANGER:** No Jumping or Diving from ladder.
- * Face ladder when entering and leaving pool.
- * To prevent entrapment or drowning — **DO NOT** swim through, behind or around ladder.
- * Ladder to be used as a swimming pool ladder only.
- * Weight limit - **300 lbs maximum**
- * **Warning:** Exceeding the maximum weight restriction may cause the ladder to fail.
- * When ladder is not in use lock up outer treads with cable lock provided in hardware bag.
- * Consult your local Building Department before installation of your pool and equipment.
- * **DANGER:** Use a cordless drill for assembly and installation. **NEVER** use an electric drill in or around the pool.

CONFER PLASTICS, INC. LIMITED, PRO-RATED WARRANTY

Confer Plastics, Inc. warrants their swimming pool ladders to be free from defects in workmanship for one year from date of purchase. After the first year the cost to replace a part is as follows:

MODEL #7000

2nd Year - 20%

3rd Year - 40%

4th Year - 60%

5th Year - 80%

Plus shipping/handling

} of current parts
list price

DO NOT RETURN DEFECTIVE PART TO DEALER

The defective part should be returned, postpaid, to:
Confer Plastics, Inc.
97 Witmer Road

North Tonawanda, N.Y. 14120-2421

Enclose proof-of-purchase (receipts, etc.) showing date purchased, your name, address, and daytime phone number. You will be notified of cost to replace part.

This warranty gives you specific legal rights, and you may also have other rights which may vary from state to state.

MADE IN THE U.S.A. by:



CONFER
plastics inc.

97 Witmer Road
North Tonawanda, New York 14120-2421
Toll Free U.S. 866-396-2968
716-283-1826/ FAX 716-283-3249
www.conferladders.com