



Pool Breakdown

OHANA 15' X 30' OVAL 52"

This first page lists the quantity, carton number, and carton description for each individual box and/or pallet in your shipment. Check that the numbers and descriptions on your checklist match identically to those on the cartons. Make sure that the pool type, model, shape, and size also line up perfectly. If something is off, even by one number, check to make sure that you have the correct checklist for your pool type and if so, contact our support team immediately at support@royalswimmingpools.com.

√	Qty	Carton Product Number #	Carton Content Description
<input type="checkbox"/>	1	371530713727	3/7 1530713727 ZENITH CLAY TEXTURED 52"
<input type="checkbox"/>	1	471530713727	4/7 1530713 727 ZENITH CLAY TEXT 52"
<input type="checkbox"/>	1	5720801-4	KIT 4 T UNIT PAINTED
<input type="checkbox"/>	1	67STD1815301833	6/7 15301833 713-23-27-35-36-37-43-65-73
<input type="checkbox"/>	1	771530727	7/7 1530 727 ZENITH CLAY TEXTURED
<input type="checkbox"/>	1	WPRA52S-WMN1530-0928	WALL: PRAIRIES 52" STEEL WM 1530

Once you have all of the cartons listed above, continue to the next page. There should be one table per carton and each carton should be gone through entirely before moving on to the next.

Please ensure that you have received the proper quantity for each item listed.

DO NOT THROW CARTONS/BOXES AWAY UNTIL AFTER THE INSTALLATION IS COMPLETE. We recommend taking photos of all labels/stickers on the boxes.

In the unlikely event that you are missing items, please refer to the document Inventory Checklist and Reporting Missing Items that was previously emailed to you.

Once you have ALL items listed on the entire inventory checklist, refer to your safety handbook and installation manual before you start the building process.

CUSTOMER SUPPORT CAN BE REACHED AT ANY OF THE FOLLOWING:

CALL: 901-372-1773

TEXT: 901-472-7797

EMAIL: support@royalswimmingpools.com



Carton Breakdown

OHANA 15' X 30' OVAL 52"

Carton Product Number #	Carton Content Description
371530713727	3/7 1530713727 ZENITH CLAY TEXTURED 52"

√	Key #	Qty	Part #	Part Description
<input type="checkbox"/>	A	10	ART211-1295048	TOP LEDGE ZENITH CLAY TEXTURED 48.000"
<input type="checkbox"/>	A	10	ART211-1295044	TOP LEDGE ZENITH CLAY TEXTURED 44.000"

*Below items will contain no actual pool parts; just packaging/shipping materials

Qty	Part #	Part Description
2	BTE541810	BOX TEL REVERSIBLE 54"X18"X10" 275C

Carton Product Number #	Carton Content Description
471530713727	4/7 1530713 727 ZENITH CLAY TEXT 52"

√	Key #	Qty	Part #	Part Description
<input type="checkbox"/>	B	20	ART711-R12954M	UPRIGHT ZENITH CLAY TEXT REG 51.750"

*Below items will contain no actual pool parts; just packaging/shipping materials

Qty	Part #	Part Description
2	BTE541810	BOX TEL REVERSIBLE 54"X18"X10" 275C

CUSTOMER SUPPORT CAN BE REACHED AT ANY OF THE FOLLOWING:

CALL: 901-372-1773

TEXT: 901-472-7797

EMAIL: support@royalswimmingpools.com



Carton Breakdown

OHANA 15' X 30' OVAL 52"

Carton Product Number #	Carton Content Description
5720801-4	KIT 4 T UNIT PAINTED

√	Key #	Qty	Part #	Part Description
<input type="checkbox"/>	M	4	1000100	STYROFOAM BLOCK FOR T UNIT
<input type="checkbox"/>	K	4	20801	T UNIT PAINTED

Carton Product Number #	Carton Content Description
67STD1815301833	6/7 15301833 713-23-27-35-36-37-43-65-73

√	Key #	Qty	Part #	Part Description
<input type="checkbox"/>	J	6	20809	BRACE PLATE BRACELESS GALVANISED 47.00"
<input type="checkbox"/>	O	8	20506	REINFORCEMENT PART ZENITH GALV 51.000"

*Below items will contain no actual pool parts; just packaging/shipping materials

Qty	Part #	Part Description
2	BTE521604	BOX 52" X 16" X 4-1/2"

CUSTOMER SUPPORT CAN BE REACHED AT ANY OF THE FOLLOWING:

CALL: 901-372-1773

TEXT: 901-472-7797

EMAIL: support@royalsswimmingpools.com



Carton Breakdown

OHANA 15' X 30' OVAL 52"

Carton Product Number #	Carton Content Description
771530727	7/7 1530 727 ZENITH CLAY TEXTURED

√	Key #	Qty	Part #	Part Description
<input type="checkbox"/>	C	20	AR211-23120ABC	LEDGE COVER ZENITH CLAY
<input type="checkbox"/>	*	1	SAC12539-32	BAG 32 WALL CHANNEL
<input type="checkbox"/>	M	8	20810	HORIZONTAL SLEEVE GALV WITH PEN NUTS 17"
<input type="checkbox"/>	N	12	20560	STEEL STRAP GALVANIZED BRACELESS 59.750"
<input type="checkbox"/>	F	8	LA1254141	WALL CHANNEL OMEGA TEXT 27D 41.00"
<input type="checkbox"/>	*	1	SACV12X34-204	BAG 204 SCREW 12-3/4 STAINLESS
<input type="checkbox"/>	F	20	LA1254715	WALL CHANNEL OMEGA TEXT 15D 47.750"
<input type="checkbox"/>	E	8	21134	UPPER JOINER PLATE STRAIGHT SIDE
<input type="checkbox"/>	E	8	21124	JOINER PLATE ZENITH REINFORCEMENT
<input type="checkbox"/>	*	1	SACWBI36876	SAC DVD D`INSTALLATION TRENDIUM
<input type="checkbox"/>	F	12	LA1254138	WALL CHANNEL OMEGA TEXT 27D 38.00"
<input type="checkbox"/>	D	20	AR711-23300AC	UPRIGHT COVER ZENITH CLAY
<input type="checkbox"/>	N	12	20560	STEEL STRAP GALVANIZED BRACELESS 59.750"
<input type="checkbox"/>	*	1	SACSJF-4	HARDWARE KIT BRACELESS (4x"T")
<input type="checkbox"/>	M	8	20802	HORIZONTAL SLEEVE GALVANIZED 17"
<input type="checkbox"/>	*	2	SACVCP-POV	BAG SCREW 1/2"-12 CROWN
<input type="checkbox"/>	E	24	21120A	JOINER PLATE ZENITH GALVANIZED

*Below items will contain no actual pool parts; just packaging/shipping materials

Qty	Part #	Part Description
2	BTE601710	BOX 60" X 17 1/2" X 10" TOP/BOTTOM 200BC PRINTED

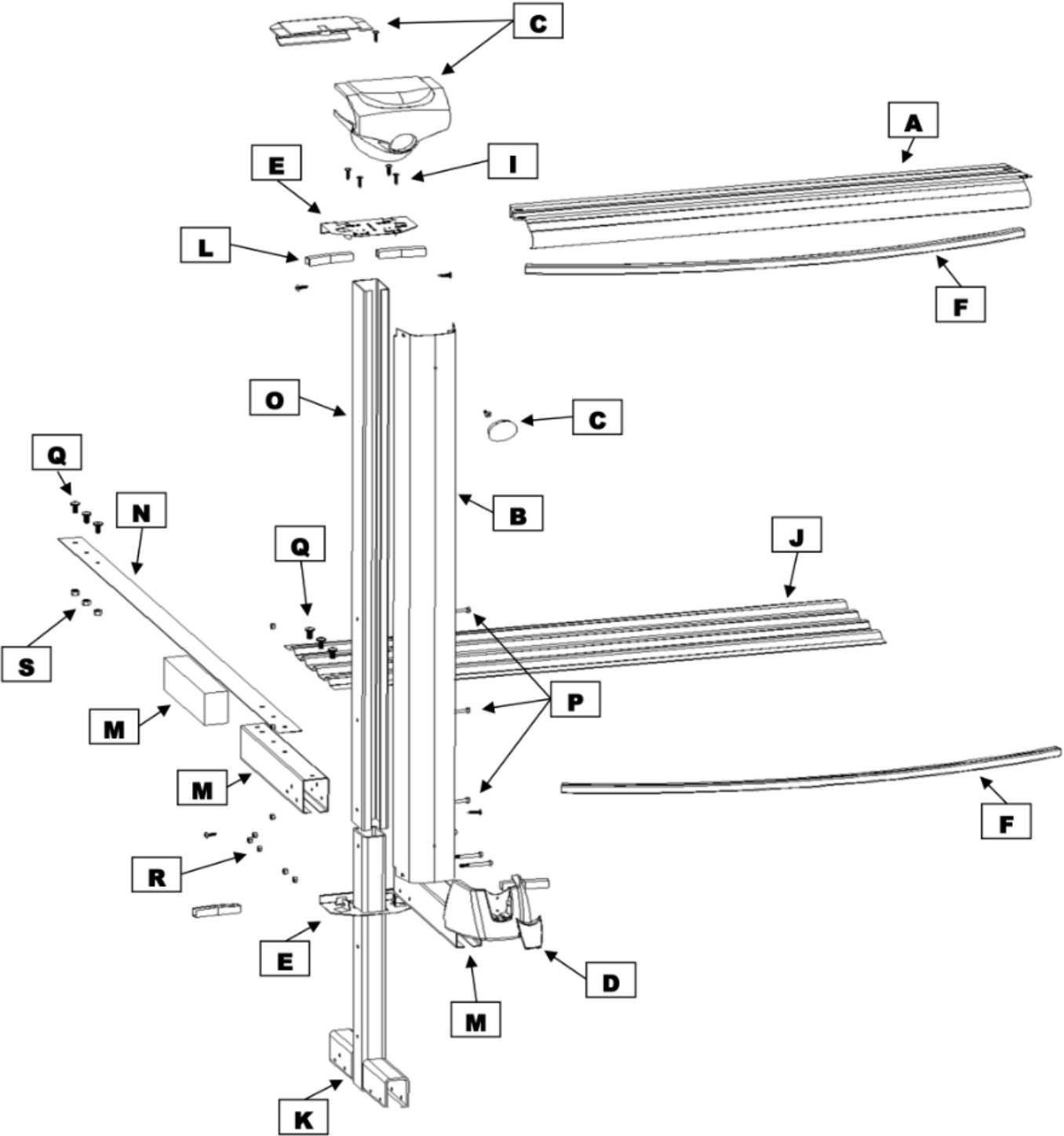
CUSTOMER SUPPORT CAN BE REACHED AT ANY OF THE FOLLOWING:

CALL: 901-372-1773

TEXT: 901-472-7797

EMAIL: support@royalswimmingpools.com

**Ohana 52
Oval**



CUSTOMER SUPPORT CAN BE REACHED AT ANY OF THE FOLLOWING:
 CALL: 901-372-1773
 TEXT: 901-472-7797
 EMAIL: support@royalswimmingpools.com