

Pool Breakdown

REPRIEVE 18' x 33' OVAL 52"

This first page lists the quantity, carton number, and carton description for each individual box and/or pallet in your shipment. Check that the numbers and descriptions on your checklist match identically to those on the cartons. Make sure that the pool type, model, shape, and size also line up perfectly. If something is off, even by one number, check to make sure that you have the correct checklist for your pool type and if so, contact our support team immediately at support@royalswimmingpools.com.

√	Qty	Carton Product Number #	Carton Content Description
<input type="checkbox"/>	1	CRREP18TS-12	CTN: REP 18 CRV-SIDE FRAME COMP
<input type="checkbox"/>	1	CRREPUS52-14	CTN: REP 52" CRV-SIDE FRAME COMP
<input type="checkbox"/>	1	CVBPRL-STRUT-0804	CTN: UNIV OVL-STR-SIDE FRAME COMP
<input type="checkbox"/>	1	CVREPTS-10	CTN: REP OVL-STR-SIDE FRAME COMP
<input type="checkbox"/>	1	CVREPVS52-08	CTN: REP 52" OVL-STR-SIDE FRAME COMP
<input type="checkbox"/>	1	CVSTRAP18-12	CTN: UNIV OVL-STR-SIDE FRAME COMP
<input type="checkbox"/>	1	CXREP1833-PSSN1	CTN: REP 1833 MIXED CRV/STR COMP
<input type="checkbox"/>	1	WIMP52S-WMA1833-1002	WALL 1833 IMPRESSIONS52

Once you have all of the cartons listed above, continue to the next page. There should be one table per carton and each carton should be gone through entirely before moving on to the next.

Please ensure that you have received the proper quantity for each item listed.

DO NOT THROW CARTONS/BOXES AWAY UNTIL AFTER THE INSTALLATION IS COMPLETE. We recommend taking photos of all labels/stickers on the boxes.

In the unlikely event that you are missing items, please refer to the document Inventory Checklist and Reporting Missing Items that was previously emailed to you.

Once you have ALL items listed on the entire inventory checklist, refer to your safety handbook and installation manual before you start the building process.

CUSTOMER SUPPORT CAN BE REACHED AT ANY OF THE FOLLOWING:

CALL: 901-372-1773

TEXT: 901-472-7797

EMAIL: support@royalswimmingpools.com



Carton Breakdown

REPRIEVE 18' x 33' OVAL 52"

Carton Product Number #	Carton Content Description
CRREP18TS-12	CTN: REP 18 CRV-SIDE FRAME COMP

<input checked="" type="checkbox"/>	Key #	Qty	Part #	Part Description
<input type="checkbox"/>	E	12	21426	TR 6" SAND KK BULL 18' 51 15/16"

*Below items will contain no actual pool parts; just packaging/shipping materials

Qty	Part #	Part Description
1	97-1353B	CARTON-EMPTY [3X] ID 58-1/16X12-1/2X5-5/8 ETC48 BOT
1	97-1353T	CARTON-EMPTY [3X] ID 58-5/16X14X5-3/4 ETC48 TOP

Carton Product Number #	Carton Content Description
CRREPUS52-14	CTN: REP 52" CRV-SIDE FRAME COMP

<input checked="" type="checkbox"/>	Key #	Qty	Part #	Part Description
<input type="checkbox"/>	D	14	21430	UR 4.5" SAND KK 51 13/16"

*Below items will contain no actual pool parts; just packaging/shipping materials

Qty	Part #	Part Description
1	97-1353B	CARTON-EMPTY [3X] ID 58-1/16X12-1/2X5-5/8 ETC48 BOT
1	97-1353T	CARTON-EMPTY [3X] ID 58-5/16X14X5-3/4 ETC48 TOP

CUSTOMER SUPPORT CAN BE REACHED AT ANY OF THE FOLLOWING:

CALL: 901-372-1773

TEXT: 901-472-7797

EMAIL: support@royalswimmingpools.com



Carton Breakdown

REPRIEVE 18' x 33' OVAL 52''

Carton Product Number #	Carton Content Description
CVBPRL-STRUT-0804	CTN: UNIV OVL-STR-SIDE FRAME COMP

√	Key #	Qty	Part #	Part Description
<input type="checkbox"/>	H	8	17916	WRAP STRUT TPP SAND TXT
<input type="checkbox"/>	I	4	16723	STRAP SECTION 39 9/32" (FOR 12,15,18')
<input type="checkbox"/>	*	2	22-36501	HDW STRUT - 4 PACKV

*Below items will contain no actual pool parts; just packaging/shipping materials

Qty	Part #	Part Description
1	97-1353B	CARTON-EMPTY [3X] ID 58-1/16X12-1/2X5-5/8 ETC48 BOT
1	97-1353T	CARTON-EMPTY [3X] ID 58-5/16X14X5-3/4 ETC48 TOP

Carton Product Number #	Carton Content Description
CVREPTS-10	CTN: REP OVL-STR-SIDE FRAME COMP

√	Key #	Qty	Part #	Part Description
<input type="checkbox"/>	J	8	16549	PRESSURE PLATE (44")
<input type="checkbox"/>	E	10	21427	TR 6" SAND KK BULL STR SIDE 41 1/4"

*Below items will contain no actual pool parts; just packaging/shipping materials

Qty	Part #	Part Description
1	97-1355B	CARTON-EMPTY [2X] ID 58-5/16X20X5-5/8 ETC48 BOT
1	97-1355T	CARTON-EMPTY [2X] ID 58-5/16X21-1/2X5-3/4 ETC48 TOP

CUSTOMER SUPPORT CAN BE REACHED AT ANY OF THE FOLLOWING:

CALL: 901-372-1773

TEXT: 901-472-7797

EMAIL: support@royalswimmingpools.com



Carton Breakdown

REPRIEVE 18' x 33' OVAL 52"

Carton Product Number #	Carton Content Description
CVREPV52-08	CTN: REP 52" OVL-STR-SIDE FRAME COMP

√	Key #	Qty	Part #	Part Description
<input type="checkbox"/>	K	8	29917	OVAL CHANNEL FOAM BLOCK 2 X 4 X 4 1/8
<input type="checkbox"/>	L	8	35738	WRAP UR OVAL TPP SAND 52" (53" OVERALL LENGTH)

*Below items will contain no actual pool parts; just packaging/shipping materials

Qty	Part #	Part Description
1	97-1355B	CARTON-EMPTY [2X] ID 58-5/16X20X5-5/8 ETC48 BOT
1	97-1355T	CARTON-EMPTY [2X] ID 58-5/16X21-1/2X5-3/4 ETC48 TOP

Carton Product Number #	Carton Content Description
CVSTRAP18-12	CTN: UNIV OVL-STR-SIDE FRAME COMP

√	Key #	Qty	Part #	Part Description
<input type="checkbox"/>	M	8	16542	CONNECTOR BTM RAIL STR SIDE STEEL
<input type="checkbox"/>	N	8	16539	STRAP OVER CHANNEL 2" TALL X 52 3/8"
<input type="checkbox"/>	I	12	16726	STRAP SECTION 52 11/16"(FOR 18')
<input type="checkbox"/>	O	8	22726	OVAL CHANNEL END CAP

*Below items will contain no actual pool parts; just packaging/shipping materials

Qty	Part #	Part Description
1	97-1351B	CARTON-EMPTY [4X] ID 58-1/16X8-3/4X5-5/8 ETC48 BOT
1	97-1351T	CARTON-EMPTY [4X] ID 58-5/16X10-1/4X5-3/4 ETC48 TOP

CUSTOMER SUPPORT CAN BE REACHED AT ANY OF THE FOLLOWING:

CALL: 901-372-1773

TEXT: 901-472-7797

EMAIL: support@royalswimmingpools.com



Carton Breakdown

REPRIEVE 18' x 33' OVAL 52"

Carton Product Number #	Carton Content Description
CXREP1833-PSSN1	CTN: REP 1833 MIXED CRV/STR COMP

√	Key #	Qty	Part #	Part Description
<input type="checkbox"/>	A	12	38503	INR STAB SQ STL 9'0"R 54-1/8" BLACK
<input type="checkbox"/>	A	8	38513	RIM 5/8" SQ STL 9'0"R 8"
<input type="checkbox"/>	A	4	38511	RIM 5/8" SQ STL 9'0"R 37" BLACK
<input type="checkbox"/>	A	6	38512	RIM 5/8" SQ STL 9'0"R 33" BLACK
<input type="checkbox"/>	B	12	14949	BTM RAIL STL MOMT 9'0"R 50" BLACK
<input type="checkbox"/>	B	4	16714	BTM RAIL STL MOMT 9'0"R 39" CORNER FLUO ORANGE
<input type="checkbox"/>	B	6	16713	BTM RAIL STL MOMT 9'0"R 37-1/2" STR SIDE LIGHT BLUE
<input type="checkbox"/>	C	28	11595	TOP/BOTTOM PLATE 4.5"
<input type="checkbox"/>	F	21	10296	PLASTIC COPING SINGLE 48" FOR METAL STAB
<input type="checkbox"/>	G	22	21431	TC 6" PEARL CAP [N1]
<input type="checkbox"/>	P	8	10136	TOP PLATE 4" OVAL
<input type="checkbox"/>	*	1	36879	SHARKLINE CONSUMER DVD
<input type="checkbox"/>	*	1	95-0007	ENVELOPES SAFETY COMPLETE
<input type="checkbox"/>	*	1	44-10040	HARDWARE POOL KIT ZY OVAL 40

*Below items will contain no actual pool parts; just packaging/shipping materials

Qty	Part #	Part Description
1	97-1355B	CARTON-EMPTY [2X] ID 58-5/16X20X5-5/8 ETC48 BOT
1	97-1355T	CARTON-EMPTY [2X] ID 58-5/16X21-1/2X5-3/4 ETC48 TOP

CUSTOMER SUPPORT CAN BE REACHED AT ANY OF THE FOLLOWING:

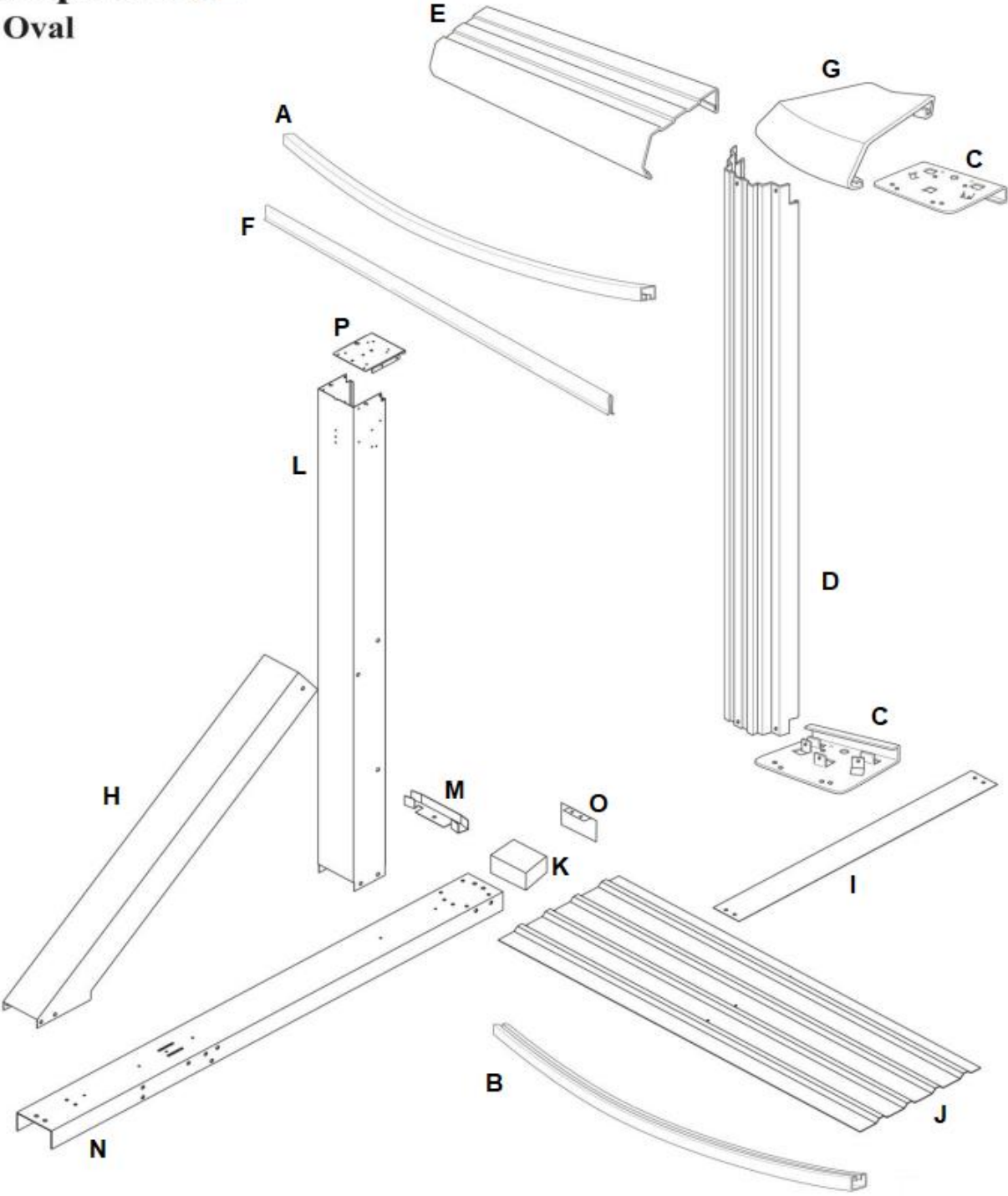
CALL: 901-372-1773

TEXT: 901-472-7797

EMAIL: support@royalswimmingpools.com

Reprieve 52

Oval



CUSTOMER SUPPORT CAN BE REACHED AT ANY OF THE FOLLOWING:
CALL: 901-372-1773
TEXT: 901-472-7797
EMAIL: support@royalswimmingpools.com