

2001 Systems: Yardmore and Wrap Around

Above Ground Pool Assembly & Installation

OVAL POOL INSTRUCTIONS

Your pool is designed for years of pleasurable, safe, family fun. But, when used incorrectly, a swimming pool can be dangerous. To insure your pool is used safely you **must** observe the following safety precautions:

- Do not dive!-Do not jump!- No rough play!- No running or pushing!
- Do not walk on the top rail. It can be slippery and is not a walkway.
- Be sure to install all safety labels provided with your pool according to the instructions.
- Keep a safety rope 1/4" by 50' with a flotation buoy with an outside diameter of 15". Have accessible in a prominent area by your pool.
- Post near all entrances to pool area; a list of telephone numbers of the:
 - Nearest available police
 - Nearest available fire department
 - Nearest available rescue unit
 - 911 emergency number if available
 - Nearest ambulance service
 - Nearest available hospital
 - Nearest available physician
- Provide fencing or enclosure which is independent of the house as a closure around the entire pool area. The fencing must be made of durable material, a minimum of 4' in height from ground level and with closures with self-latching locks, to make pool inaccessible to toddlers and uninvited guests. Make sure

- gate is always closed. Be sure to follow local building code requirements for load capacity and fencing if using an aftermarket or homebuilt deck.
- Check with your local town for any special laws in your locale.
- Never drink alcoholic beverages or use any intoxicants which could hinder your judgment and reflexes.
- Never use pool alone. All children must be supervised continuously.
- Do not use pool if bottom is not clearly visible: At night, sufficient lighting must be available. It is the pool owners sole responsibility to provide adequate lighting for pool bottom, safety signs and walkways, which exceeds minimum standards of the IES of North America.
- Do not climb, stand or sit on any pool structure or the filter system. Components such as the filtration system, pumps and heater must be positioned so as to prevent their being used as a means of access to the pool by young children.
- Be sure that all toys, chairs and tables or similar objects that a young child could climb on be at least four feet (4') from pool.
- Do not use pool during electrical or rain storms.
- See available National Spa and Pool Institute (NSPI), publications for more tips on pool safety.

IMPORTANT NOTICE! READ BEFORE INSTALLATION

ENCLOSED IN FRAME CARTON IS SAFETY ENVELOPE. THE SAFETY STICKERS MUST BE INSTALLED AS PER FOLLOWING INSTRUCTIONS. FAILURE TO PROPERLY INSTALL WARNING LABELS WILL VOID WARRANTY. FAILURE TO MOUNT THESE SAFETY LABELS MAY SUBJECT YOU TO SUBSTANTIAL LIABILITY IN CASE OF INJURY.



2 Labels for liner placement
(1 supplied with liner)



2 signs:
1 for placement on outside wall next to entry to pool.
1 for placement so sign is visible from all possible entrances to pool. If more are required, write for additional signs.

NOTICE TO POOL OWNERS AND INSTALLERS:

THESE WARNINGS ARE NOT TO BE REMOVED UNDER ANY CIRCUMSTANCES! IF THEY BECOME DISCOLORED OR FALL OFF, PLEASE REQUEST REPLACEMENTS WHICH WILL BE SENT AT NO CHARGE. PRACTICE POOL SAFETY—THESE LABELS AND YOUR COOPERATION MAY SAVE A LIFE! ALSO, FAILURE TO MOUNT THESE SAFETY LABELS USING THESE INSTRUCTIONS MAY SUBJECT YOU TO SUBSTANTIAL PERSONAL LIABILITY IN CASE OF INJURY.

BEFORE INSTALLING POOL DETERMINE PLACEMENT OF LADDER.
(exit and entry point to pool)

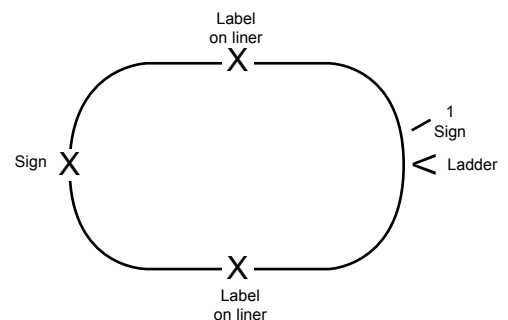


Place on pool wall at entrance to pool next to ladder. (Make certain sign is firmly affixed to wall.) Put other sign on opposite side of pool.



Using the two labels which are to be placed on liner *above water level*, locate at 2 equal points away from ladder.

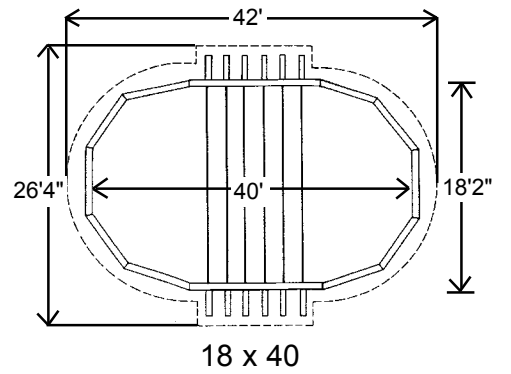
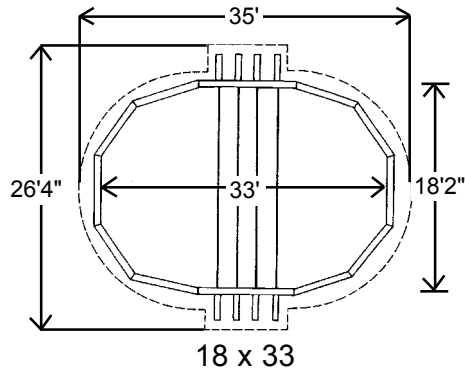
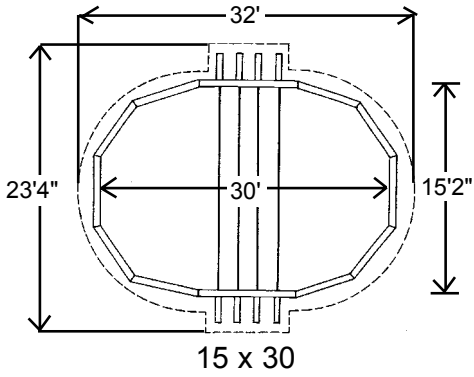
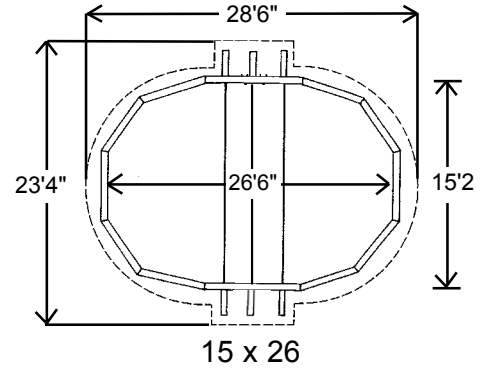
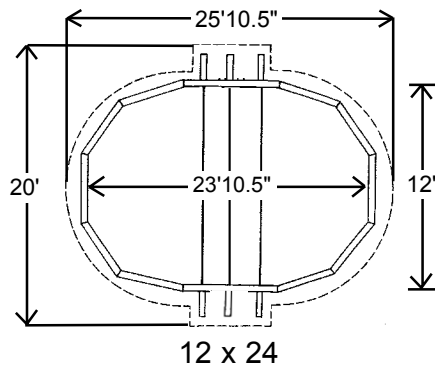
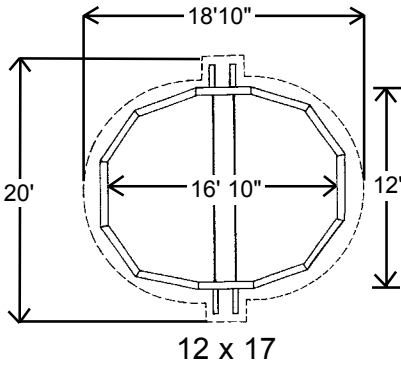
LABEL LOCATIONS FOR OVAL POOLS.



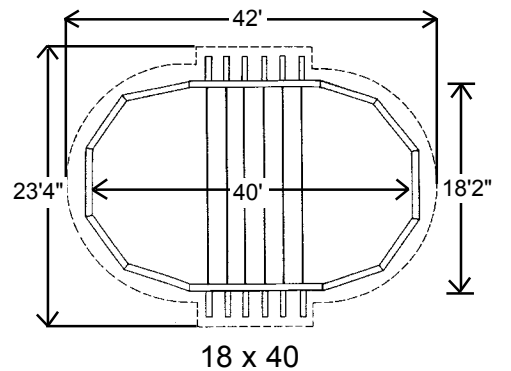
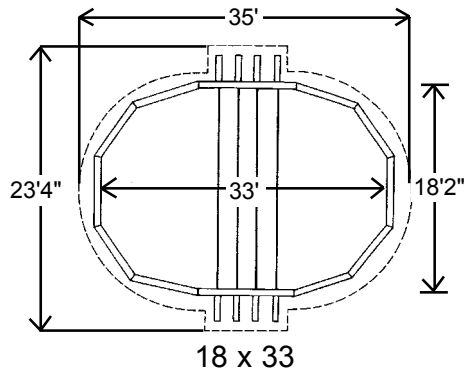
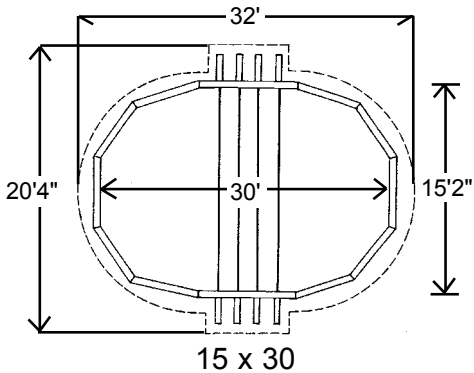
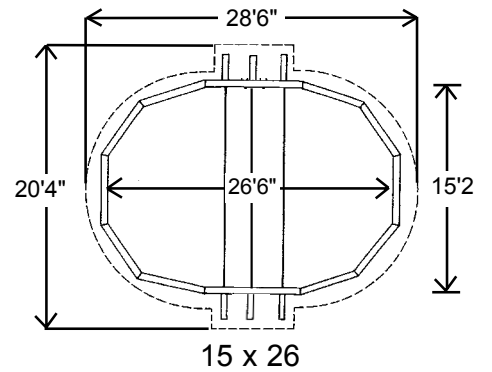
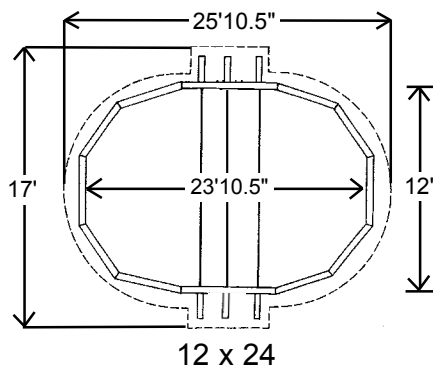
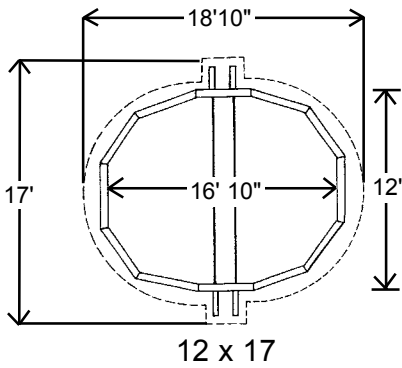
WARNING:

**THIS POOL IS NOT DESIGNED FOR DIVING OR JUMPING.
DANGEROUS INJURY CAN RESULT-SHALLOW WATER!!!**

STANDARD OVAL POOL SIZES



YARDMORE POOL SIZES



- Actual size of pool.
2 - - - - - Space needed for installation.

INTRODUCTION:

Congratulations on becoming the owner of a new Sharkline above ground swimming pool. This is the instruction packet for installing your swimming pool. The following are some helpful hints that you should take into consideration before installing your pool.

- 1) Read through the entire instruction booklet before you begin. This will enable you to find out exactly what is involved with installing your swimming pool before you begin. While you are going through the instructions, please be aware that all of the diagrams are representative of a 15' x 30'/18' x 33' pool. If you have a different size pool you will find that your pool has a different number of uprights than the ones in the diagrams.
- 2) **DO NOT ATTEMPT INSTALLATION IN WINDY OR GUSTY WEATHER.** This will not only make installation more difficult, it may result in damage to your pool before it is completely installed.
- 3) Although we have broken down the installation into many simple steps, you will probably find that steps one and two will be the most labor intensive and time consuming steps. Once you have completed those two steps you should find that the rest of the installation moves along much more quickly.
- 4) Please be sure to review all safety material and local codes before beginning your installation. There is a yellow safety envelope packed with your pool. This envelope contains safety material and warning stickers to be placed on your pool. If you are missing any of these items please contact your dealer or the factory to obtain it. The warranty is void if all safety precautions are not followed.
- 5) In the event that you need to make a warranty claim, it is important to know the size and model of your swimming pool in order to expedite the handling of your claim. Please fill in the information below and keep for your records.

NAME OF POOL: _____

SIZE OF POOL: _____

DATE OF PURCHASE: _____

NAME OF POOL WALL: _____

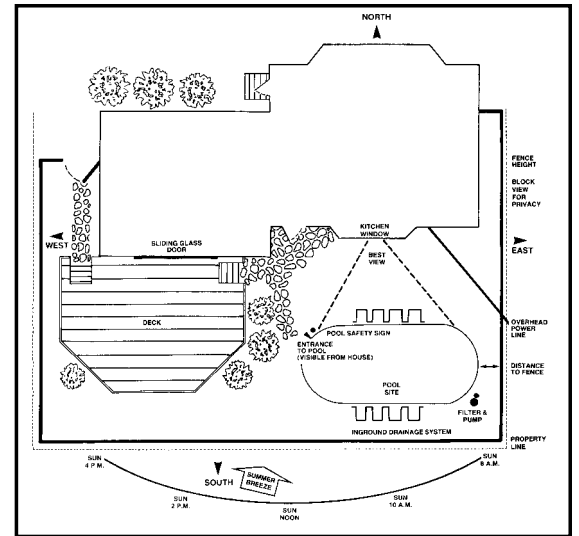
NAME OF LINER: _____

- 6) Make sure you have the necessary tools and materials before beginning your installation. Below is a list of the tools and materials needed.

- | | |
|----------------------------|----------------------------------|
| -Shovel | -Carpenters level and/or transit |
| -Tape measure | -Patio Blocks (2" x 8" x 16") |
| -Phillips head screwdriver | -Box cutter (Razor blade) |
| -Duct tape | -Tamp |
| -Sand or pool base | -5/16" wrench |
| -Filter | -1/4" wrench |
| -Skimmer/Return fitting | |

POOL LOCATION:

Do not locate pool over underground lines, septic tanks, or under electrical lines. It is essential that the area selected for your pool has a level and firm base. Do not assemble your pool on asphalt, tar, or oil base surfaces. Avoid areas with sharp objects, or ground treated with weed killer or other chemicals. Also avoid areas where nut grass, Bermuda grass, or bamboo grass grow, because they can grow through your liner. Grass must be removed. Do not place components such as filters, pumps, and heaters in a way that they can be used as a means of access to the pool by young children. Be sure to follow all local building codes and obtain all building permits required for your area.

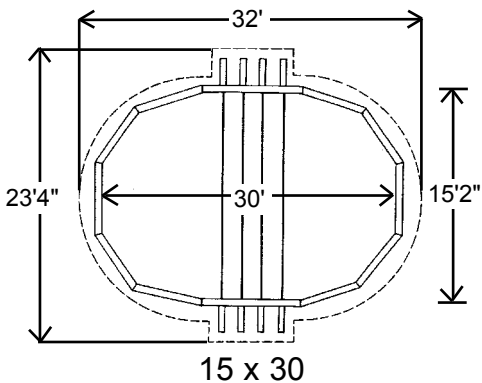


STEP 1 – PREPARING THE SITE:

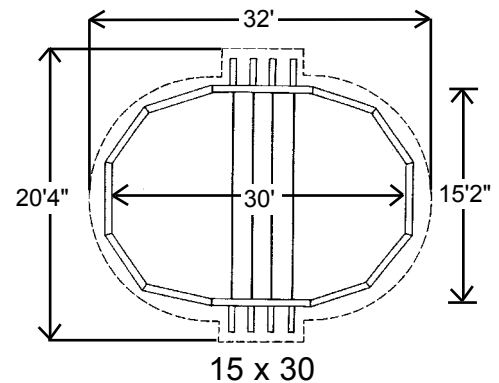
Refer to the “true size” diagram on the second page to see the dimensions of your swimming pool. Once you have these measurements and have chosen a site to install your pool, mark or outline the ground where the pool will be going using spray paint. Please keep in mind that you will need some extra room to work. Be sure to account for the space that the side supports extend out on each side of an oval, strap end channel extends out 37" from the wall of the pool on each of the two straight sides. If you have an oval pool with the “yardmore” system, the strap end channel extends only 9" out from the wall on each side. Refer to the “actual size” chart for further clarification.

For example, a 15x30 oval should have the following space in order to install the pool.

Standard Oval:



Yardmore Oval:

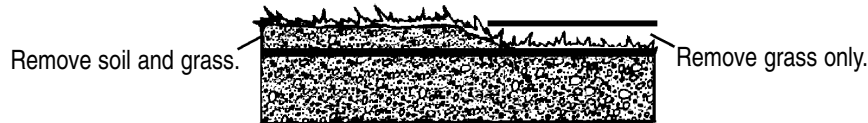


***Once you have the appropriate area marked out, remove any sod that is in the area. Also be sure to avoid all electrical wires, gas lines, septic tanks, cesspools, dry wells, tree roots, stumps, buried debris, and sudden slopes within 6’ of the pool area.**

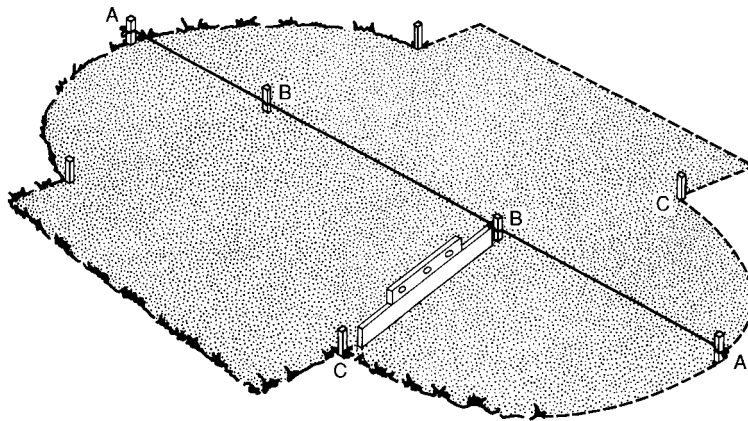
STEP 2 – LEVELING:

Once you have designated the space for installation, and extra space have cleared away the sod in that area, you can begin to level the ground. The ideal tool for doing this is a transit. If you do not have access to a transit, use a long board (be sure that the board is perfectly straight) and a carpenter's level, as shown in the diagram. The key to properly leveling the surface for an above ground swimming pool is to start at the lowest point and dig everything else down to that level. You do not want to build up the lower areas to be level with the higher areas. Doing this will cause the ground to settle once the pool is full of water. If the ground settles it could destroy your pool, which could be dangerous and is not covered under the warranty.

You will probably not be able to get the ground completely level until you lay out the frame, but the closer you get it now the easier the job will be later. We recommend that you do not proceed until the entire site is within an inch of being perfectly level.



* DO NOT ADD DIRT TO LOW AREAS.



STEP 3 – UNPACKING THE POOL:

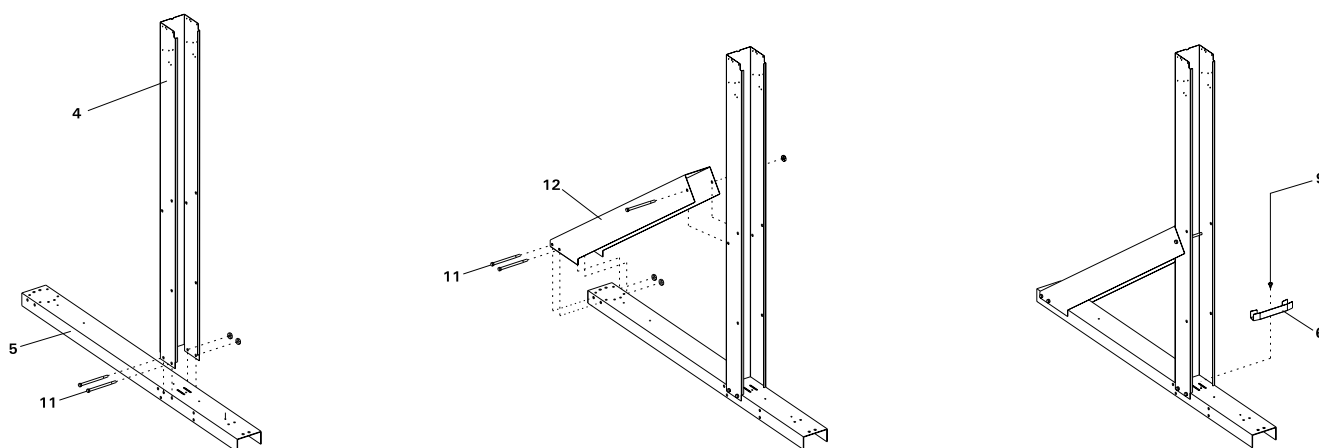
At this point you should open all of the cartons that have come with your pool. Separate all of the parts, becoming familiar with each by checking them against the generic parts breakdown in the back of this booklet, or the specific breakdown packed in the yellow envelope. Count the number of each part and check that against the packing list as well. This way if you are missing something you can contact the people you purchased the pool from before you begin the construction of the pool.

STEP 4 – PRE-ASSEMBLING THE STRAIGHT SIDES OF A STANDARD OVAL POOL ONLY:

***** THESE INSTRUCTIONS ARE FOR STANDARD OVAL POOLS ONLY!!! IF YOU HAVE A YARDMORE OVAL PLEASE USE ALTERNATE STEP FOUR.**

- A) Start by laying the strap end channels out on the ground so that the open ends face down. Notice the two slots on top of each of these channels. You will not be using these slots in the construction of the pool, but pay attention to where they are located in the diagrams. It indicates which way the channels are facing.
- B) Now take the oval upright and push it down over the strap end channel where those slots are located. Position the open end of the oval upright to face the short end of the channel (the inside of the pool) as shown in the diagram. The two holes on each side of the upright should line up with two of the holes on each side of the strap end channel. Secure the parts with two 5/16" x 4 1/2" bolts and two 5/16" nuts. Repeat for all assemblies.
- C) Once all of the oval uprights are attached, you can begin attaching the struts. This is done by pushing the angled end of the strut (the end with two holes on each side) over the end of the strap end channel and the other side around the oval upright. The hole on each side of the strut lines up with the hole in the oval upright that is farthest from the open end of the upright. The two holes on the other end of the strut line up with the only two holes in the back end of the strap end channel. Secure the struts using three 5/16" x 4 1/2" bolts and three 5/16" nuts. See diagram for visual instruction.
- D) Now you can install the straight side bottom connectors. Use one per strap end channel. Place the connector on top of the strap end channel so that the open part of the connector sits inside the oval upright. The hole in the straight side connector will line up with the hole between the two slots on the strap end channel. Secure the piece using a #12 x 3/4" screw.

***Please do not be alarmed if you are not using all of the holes in the strap end channels. We use this same channel for a few different products so there are some holes that you will not be using for this pool.**



1	PRESSURE PLATE
2	BOTTOM RAIL, STRAIGHT SIDE
3	OVAL TOP PLATE
4	WRAP-AROUND OVAL UPRIGHT
5	CHANNEL, 2" TALL
6	STRAIGHT SIDE BOTTOM CONNECTOR
7	STRAP
8	SCREWS, #10 X 1/2"
9	SCREWS, #12 X 3/4"
10	BOLTS, 5/16-18 X 1/2"
11	BOLTS, 5/16-18 X 4 1/2"
12	WRAP-AROUND STRUT

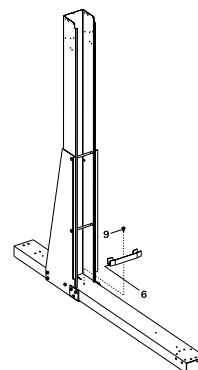
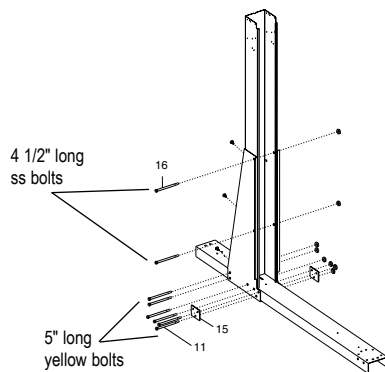
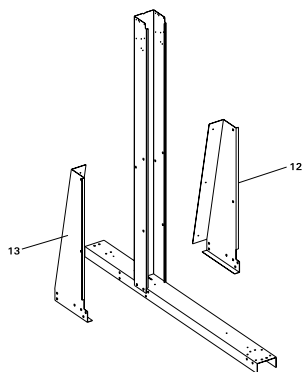
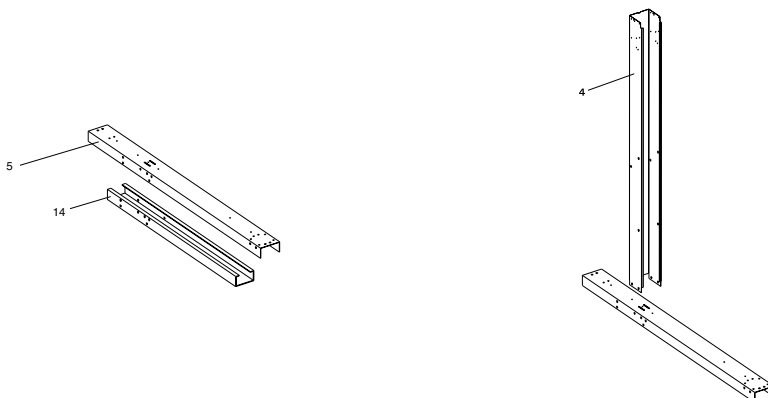
STEP 4 – PRE-ASSEMBLING THE STRAIGHT SIDES OF A YARDMORE OVAL POOL ONLY:

*** IF YOU HAVE A STANDARD OVAL PLEASE REFER TO THE PREVIOUS STEP 4!

- A) Start by laying out the under box channels so that the open sides of each under box channel is facing up. Then slide the strap end channel over the top of the under box channels so that they form a tube. Be sure that the holes in both channels are aligned, but do not bolt them together yet.
- B) Now slide the oval uprights over the strap end channels making sure that the holes line up as shown in the diagram.
- C) Once the oval uprights are attached, apply the left and right side gusset on each. The pieces are marked “L” and “R”. The gussets are applied under the channels and around the oval upright. Once you have them in place screw the left and right gussets to each other using three #10 screws.
- D) All holes should be lined up at this point. Bolt the components together as shown in the diagram. Use 5/16" x 5" yellow bolts and 5/16" nuts for the channels and 5/16" x 4 1/2" stainless steel bolts for connecting the gussets to the uprights. Remember to include the three-hole washers at the front of the gussets.
- E) Once all of the 5" long bolts have been tightened, install the straight side bottom connectors. This is done by placing the connector on top of the strap end channel just inside the oval upright. The hole in the connector should line up with the hole in the strap end channel. Secure the connector to the channel using a single # 12 x 3/4" screw for each as shown in the diagram.

***Please do not be alarmed if you are not using all of the holes in the strap end channels. We use this same channel for a few different products so there are some holes that you will not be using for this pool. You will also have 3 extra 5/16" x 4 1/2" stainless steel bolts per upright when installing the yardmore system.**

1	PRESSURE PLATE
2	BOTTOM RAIL, STRAIGHT SIDE
3	OVAL TOP PLATE
4	WRAP-AROUND OVAL UPRIGHT
5	CHANNEL, 2" TALL
6	STRAIGHT SIDE BOTTOM CONNECTOR
7	STRAP
8	SCREWS, #10 X 1/2"
9	SCREWS, #12 X 3/4"
10	BOLTS, 5/16-18 X 1/2"
11	BOLTS, 5/16-18 X 5"
12	GUSSET, LEFT SIDE (BUTTRESSLESS)
13	GUSSET, RIGHT SIDE (BUTTRESSLESS)
14	UNDER BOX CHANNEL
15	WASHER, 3 HOLE
16	BOLTS 5/16-18 X 4 1/2"



STEP 5 – STRAP ASSEMBLY FOR STANDARD OVAL POOL ONLY:

***** USE THIS STEP FOR STANDARD OVAL INSTALLATION ONLY! IF YOU HAVE A YARDMORE OVAL PLEASE SEE ALTERNATE STEP 5.**

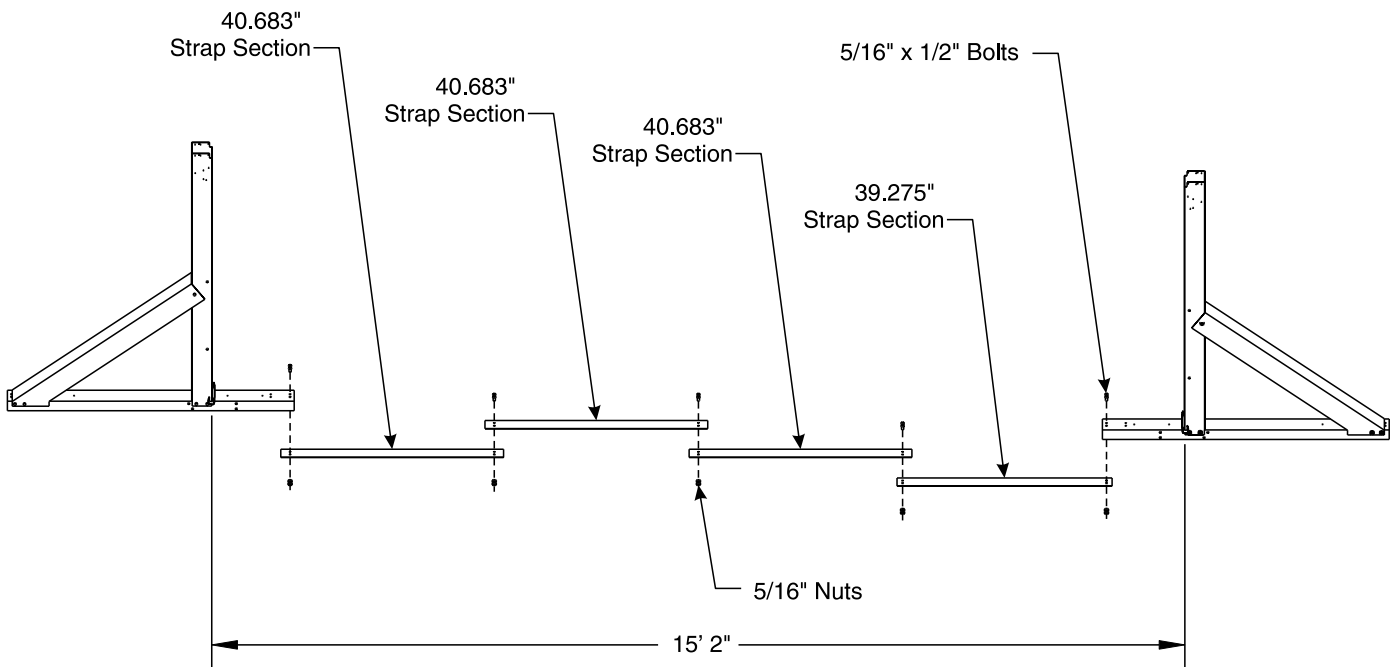
Notice that the two different sizes of strap. Each strap is stamped with a part number and a length.

- A) If your pool is 12' wide, each strap will be made up of two 41.025" long pieces and one 39.275" long piece.
- B) If your oval pool is 15' wide, each strap will be made up of 4 pieces. Three of the pieces will measure 40.683" long and one will measure 39.275" long.
- C) If your pool is 18' wide each strap will be made up of four pieces. Three of the pieces will measure 52.6875" long and one piece will measure 39.275" long.

Regardless of what size your pool is, each piece of every strap should be secured to the other using two 5/16" x 1/2" bolts and two 5/16" nuts. Each end of the assembled straps need to be attached to a strap end channel. Please keep in mind that the strap runs underneath the liner of the pool so it should be attached to the open end of the channel, not the side where the strut connects. The straps connect to the channels using two 5/16" x 1/2" bolts and two 5/16" nuts at every connection. Be sure to attach the straps to the under side of the strap end channels. The heads of the bolts go on top of the channel, and the nuts should be on the under side. Always use the two holes closest to the end of the strap end channels when connecting the strap sections to the channel.

	12'x17'	12'x24'	15'x26'	15'x30'	18'x33'	18'x40'
39.275"	2	3	3	4	4	6
40.683"			9	12		
41.025"	4	6				
52.6875"					12	18

* See page 2 for layout. This chart shows how many strap assemblies each pool size requires.



STEP 5 – STRAP ASSEMBLY FOR YARDMORE OVAL POOLS ONLY:

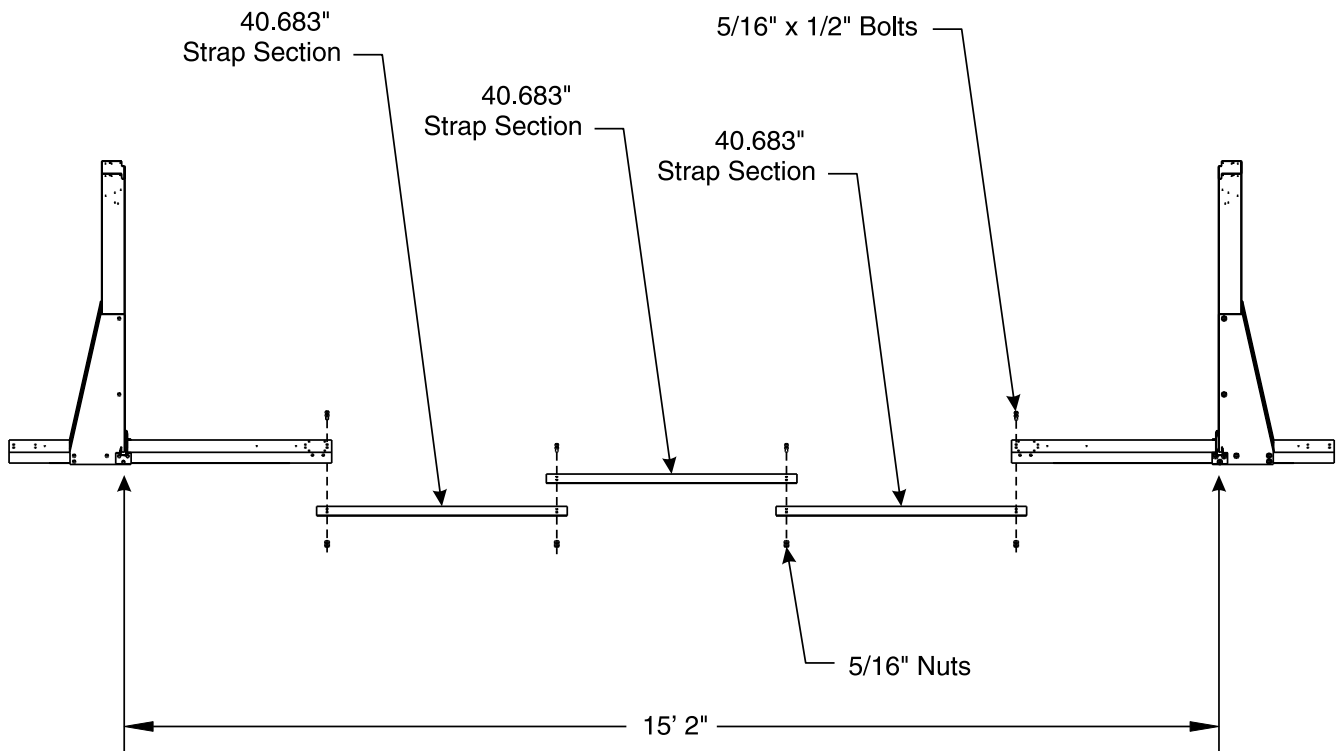
***** IF YOU HAVE A STANDARD OVAL DO NOT USE THIS STEP FIVE. USE THE PREVIOUS STEP FIVE FOR YOUR OVAL POOL.**

When you separate the strap pieces, you will find that you have two different lengths. You will have two strap components per complete strap for 12' wide oval pools, and three strap components per complete strap for all pools wider than 12'. Regardless of the size of your oval pool there is one piece of strap material that is 39.275" long for each strap assembly (example: a 15x30 pool has four strap assemblies so it comes with four 39.275" long strap pieces.) With the yardmore system that strap piece will NOT be used. You should discard these pieces so that you do not accidentally include them in your strap assembly. They are only used on a standard oval assembly.

Secure the remaining strap sections to each other using two 5/16" x 1/2" bolts and 5/16" nuts, at each end. When they are completely assembled (as shown in the diagram) attach each end of the straps to a strap end channel using two 5/16" x 1/2" bolts and two 5/16" nuts at each point of connection. Note that the straps should be attached to the underside of the channels with the heads on top of the channel and the nuts on the underside. Always use the two holes closest to the end of the strap end channel when you are connecting the strap sections to the strap end channels.

	12'x17'	12'x24'	15'x26'	15'x30'	18'x33'	18'x40'
40.683"			9	12		
41.025"	4	6				
52.6875"					12	18

* See page 2 for layout. This chart shows how many strap assemblies each pool size requires.



STEP 6 – STRAIGHT SIDE LAYOUT:

After all of the straps have been fully assembled and attached to the strap end channels you can now start to set them up in their final positions. If your pool has an odd number of straps (for example a 12' X 24' pool has three straps) find the center point of the site you leveled earlier and put the first strap and oval upright assembly there as shown in the diagram. You then place one assembly 42", from center of strap end channel to center of strap end channel, on each side of that first assembly. Continue like this until all assemblies are used.

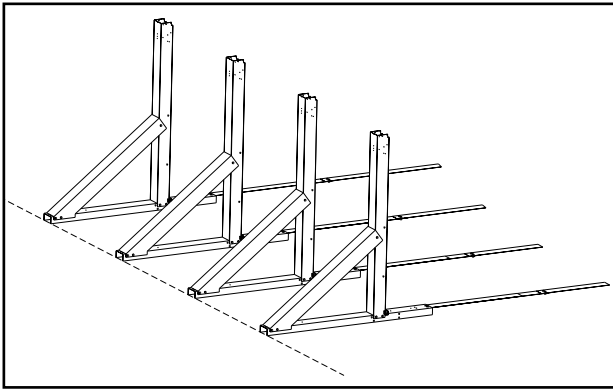
If your pool has an even number of straps and oval upright assemblies (for example a 15' X 30' pool has four) find your center point, mark it on the ground, and put an assembly on each side of that mark 21" away to the center of the strap end channels. If your pool has more than two assemblies you will put the next assemblies 42" on center from the previous one, always keeping the same number of assemblies on each side of your center point.

Once you have all assemblies in place you want to be sure that all of the oval uprights on one side line up with each other. This can be done fairly accurately by eye but we recommend that you use a string extending from the first upright to the last. If there are any uprights not touching the string, or that cause the string to bulge out, adjust that assembly so that the string is perfectly straight.

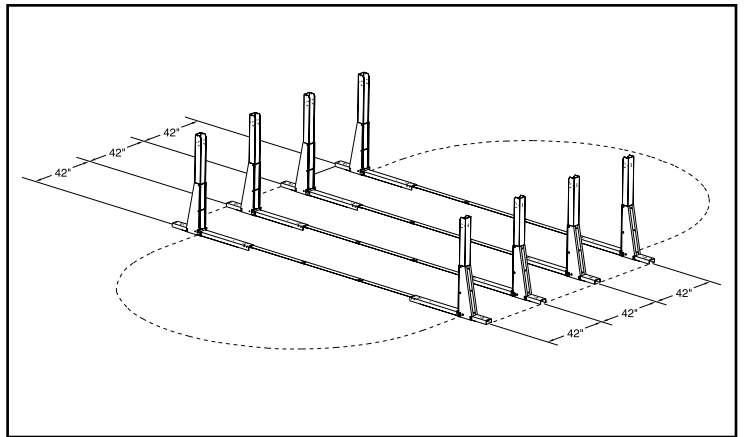
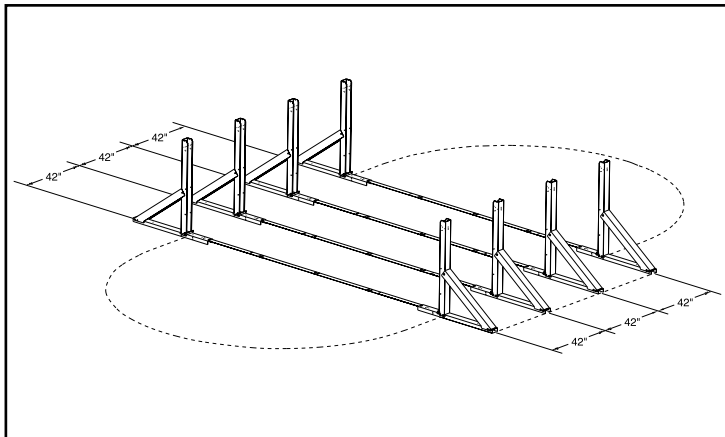
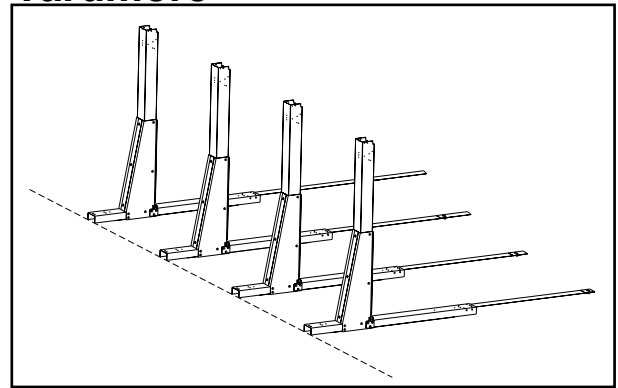
If you are trying to install your pool parallel to an already existing object such as a fence, simply measure from the fence to each oval upright making sure that the measurement is exactly the same for each.

Once you are confident that one side is straight the other side should already be straight. If it does not appear to be straight, check to make sure that the straps are setting flat on the ground.

Standard



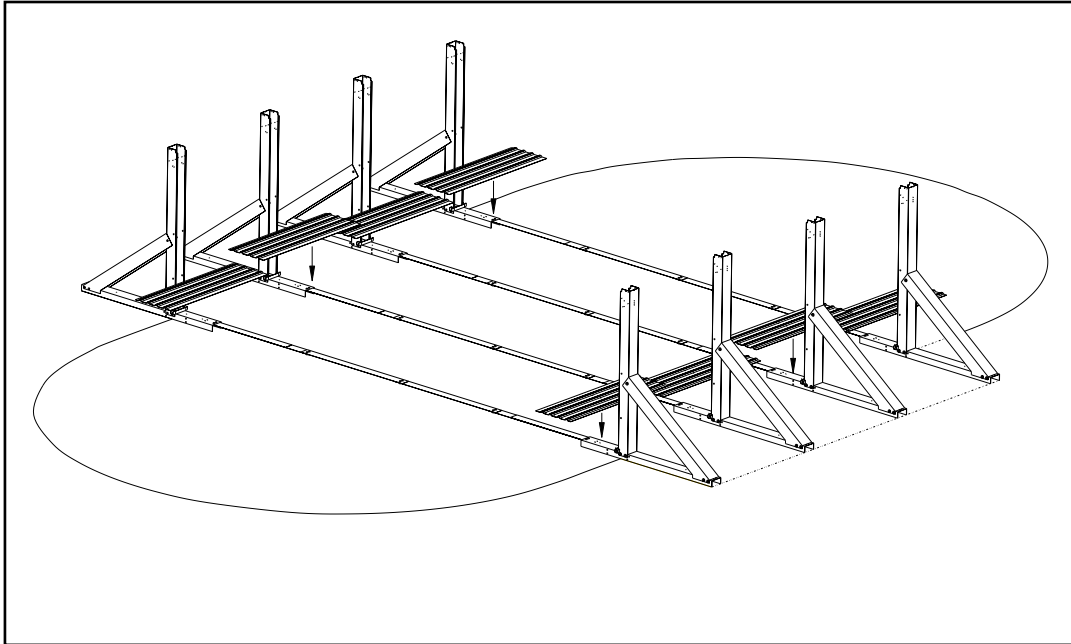
Yardmore



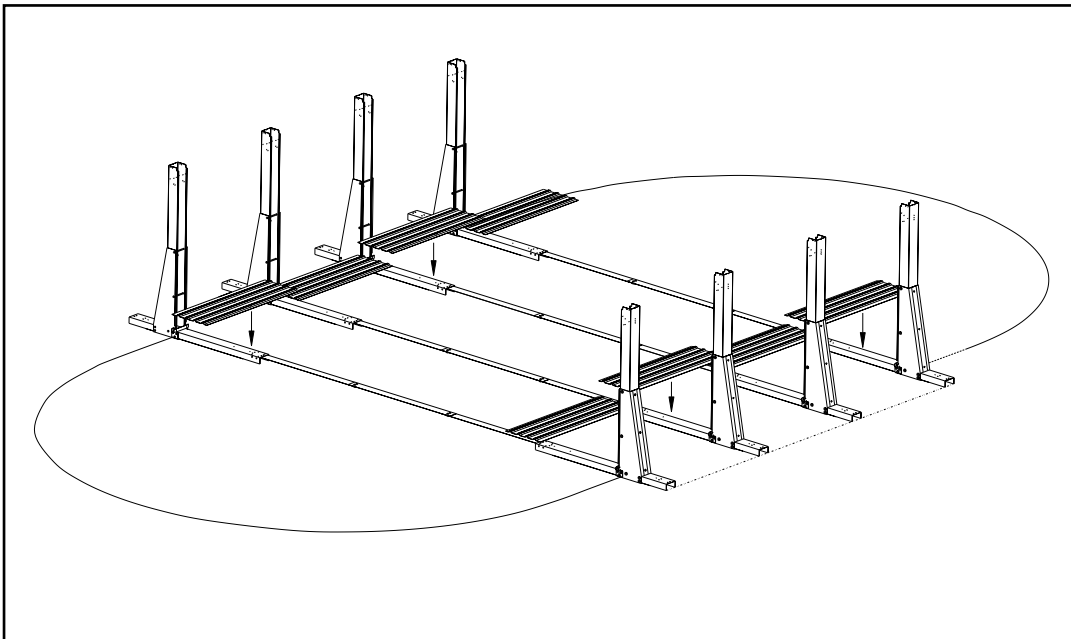
STEP 7 – PRESSURE PLATE INSTALLATION:

Place one 44" pressure plate on each strap end channel so that the center of the plate is even with the center of the channel. When installing these plates the corrugation bumps should be up and the flat surface should be down. One edge has a larger flat surface than the other. The larger flat surface should be closer to the center of the pool. (See diagram). **The pressure plate must extend past the end of the channel about 1".** If you have done this correctly the two holes in the center of the pressure plate line up with the two holes in the center of the strap end channel. Secure the plates to the channels using two #12 X $\frac{3}{4}$ " screws in each. Once all plates are secured to the channels, the plates should overlap each other. Secure the plates to each other using three #12 screws in each overlapping area.

Standard



Yardmore



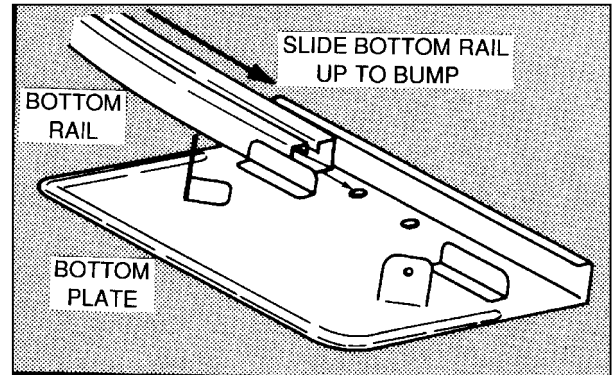
STEP 8 – BOTTOM RAIL ASSEMBLY:

When you unpacked the bottom rails you should have noticed the three different size rails (except if you have a 12' X 17' pool in which case you only have two different size rails.) Some of the rails are 37 ½" long, some are 39" long, and the rest of the rails are longer but the exact measurement depends on which size pool you have.

It is very important to separate rails by size now.

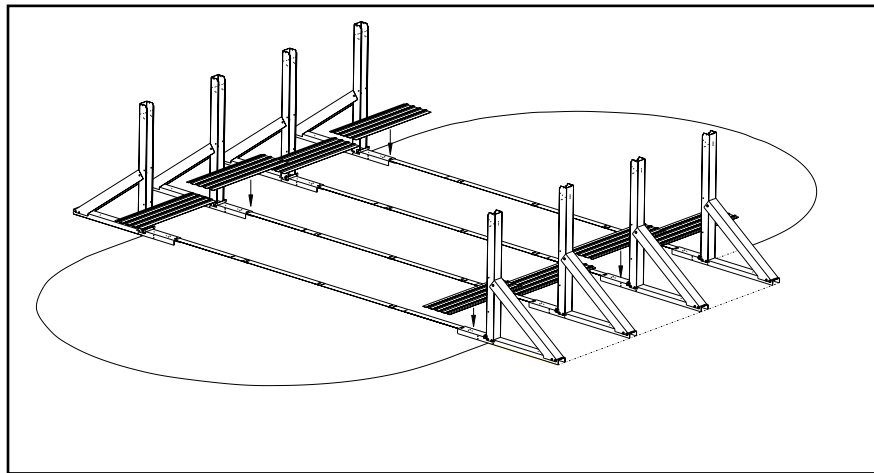
A) The 37 ½" long bottom rails go in between the oval uprights. You simply press them down inside the straight side bottom connector on each side. These rails will eventually need to be sitting flat on the ground but you can do that as you are leveling the pool.

B) The four 39" bottom rails are for the "corners." One side snaps into the straight side connector on the final oval upright, while the other side slides into a bottom plate as shown in the diagram.

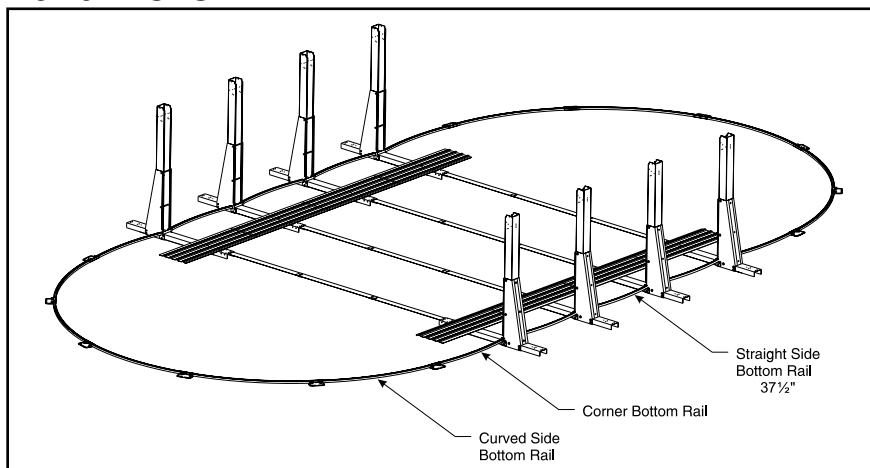


C) You should have an even number of the longest bottom rails, as well as an even number of bottom plates. These will form the curved ends of your pool. Half of these rails and plates will go on one end and the other half on the other end. Slide each rail into plate up to the stop as shown. Be sure that the plate is outside of the half circle created on each side of the pool. Once all rails are assembled, you should now be able to see the entire shape of the oval pool on the ground.

Standard



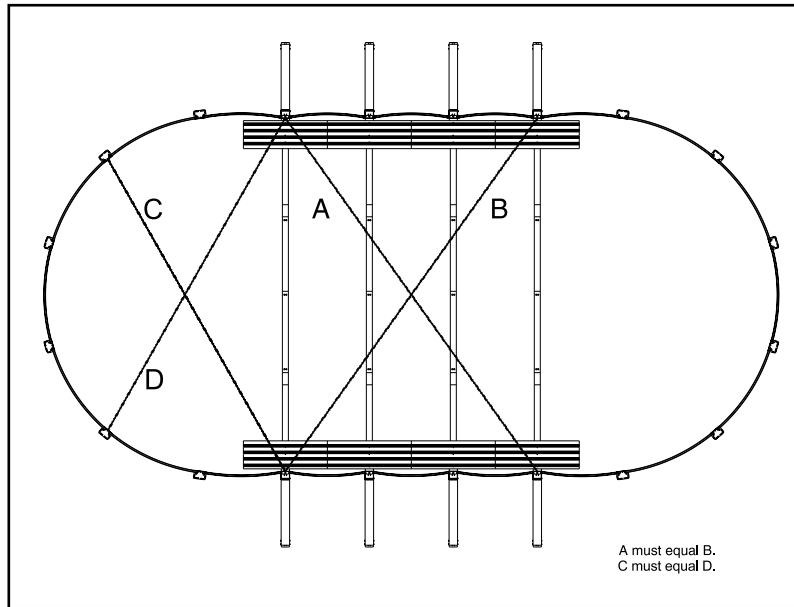
Yardmore



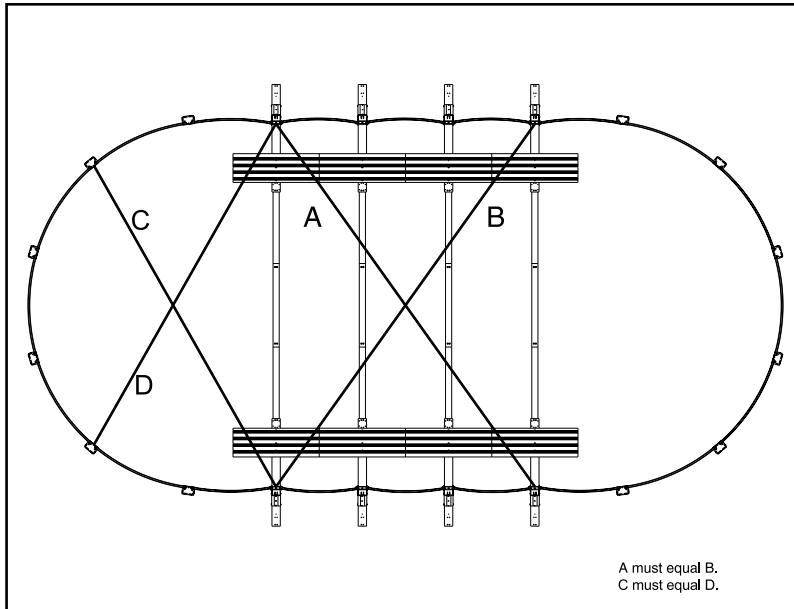
STEP 9 – SQUARING THE STRAIGHT SIDES:

Now that the base of the pool is fully assembled, make sure that the straight sides of the pool are perfectly in line with each other. We refer to this as squaring the pool. This is done by measuring from the outside of the first oval upright on one side, to the outside of the last oval upright on the opposite side (the two oval uprights farthest from each other.) When making these measurements they should always be taken at the lower 12" of the upright because the higher up in the upright you go the less accurate the measurements may be. Once you have that measurement you should measure the two opposite uprights the same way as shown in the diagram. The two measurements should be exactly the same. If they are not, adjust one entire side as necessary. This is a very important step, do not continue until the measurements are the same.

Standard



Yardmore



STEP 10 – LEVELING THE STRAIGHT SIDES:

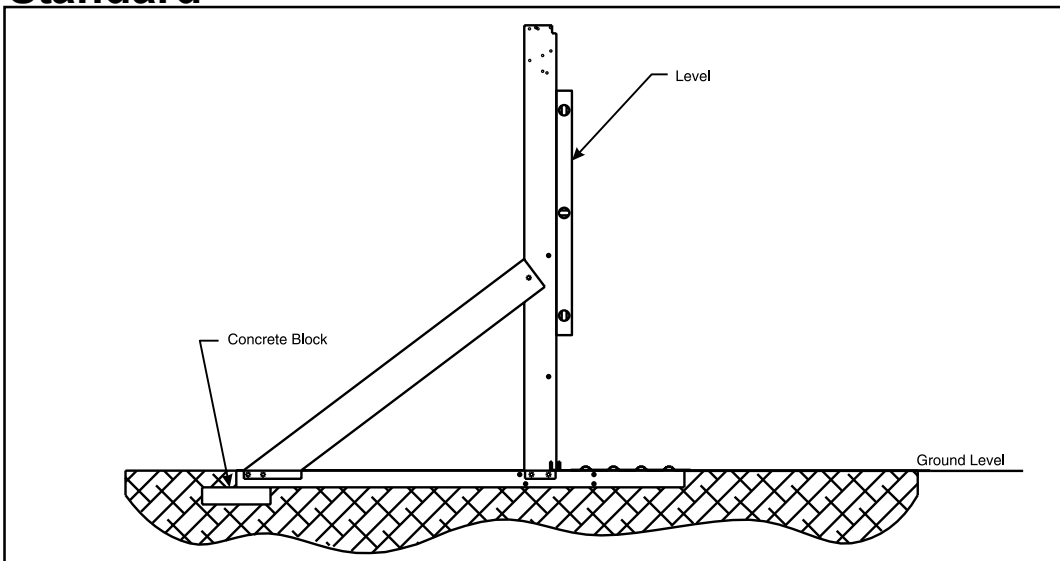
The leveling of the straight sides is a very crucial part of a good installation. If this is not done accurately it will cause a lot of problems for you.

The strap end channels are two inches deep. The top of the strap end channel needs to be level with the ground. The bottom plates on the curved sides also need to be level with the ground.

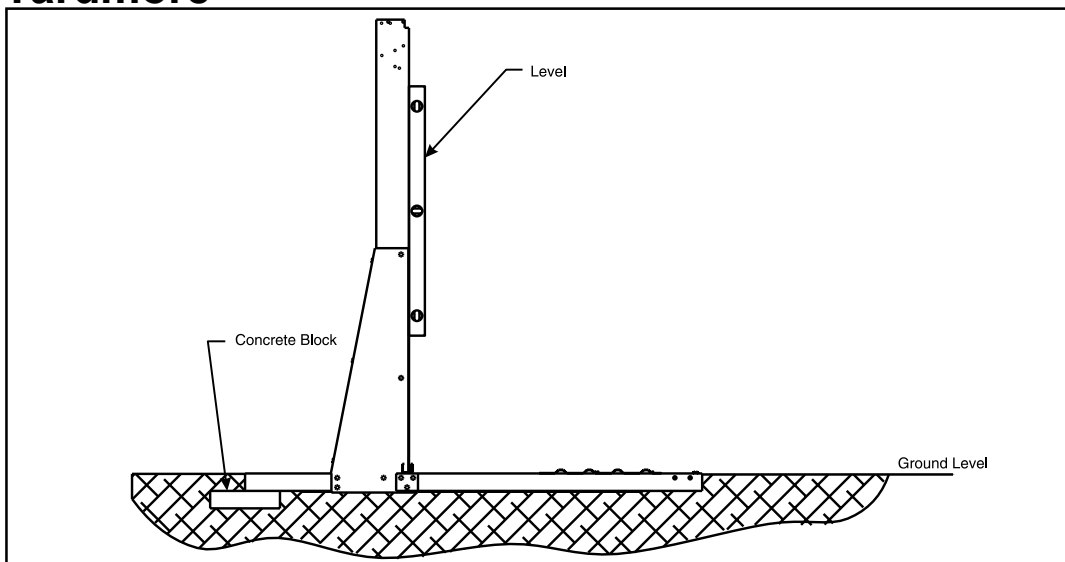
One at a time we recommend digging the strap end channels into the ground. Once all of the channels on a side are level, put a 2" x 8" x 16" patio block under the back of each strap end channel as shown. This must be done for each strap end channel. Remember the block is two inches deep and so is the end channel. You will need to dig down a total of 4" where the block is in order to get the top of the strap end channel to ground level.

Once you have completed one entire side, do the same for every strap end channel on the opposite side. After that is complete it is a good idea to check that your oval uprights are all level from top to bottom by using a carpenter's level. The pressure plates and straight side bottom rails ensure that your bottoms are still 42" on center. Be sure that the tops of the oval uprights are as well.

Standard



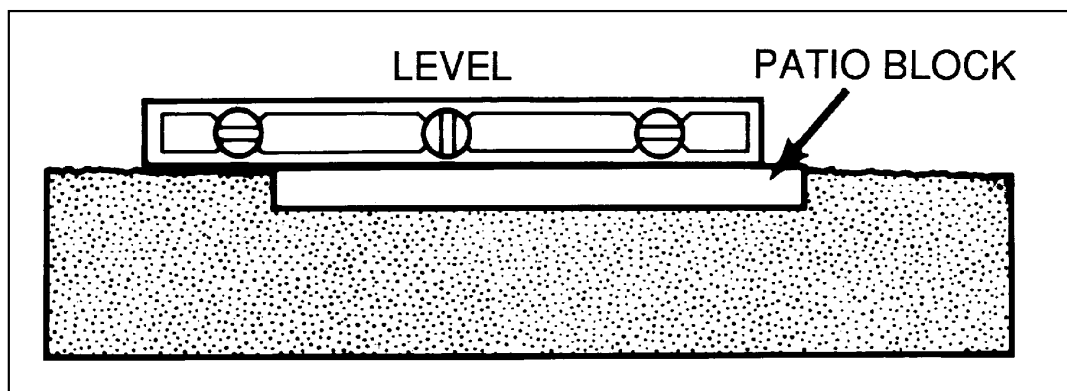
Yardmore



STEP 11 – LEVELING THE CURVED SIDES:

The next step is to level the curved sides of the pool. Before doing this you may want to measure the overall length and width of the pool to ensure that it is the same size as shown on page one of this booklet. If it is off by a couple of inches your wall will not fit properly. You can fix this situation by simply sliding the curved side bottom rails in or out of the bottom plates as shown. This should be done an even amount for each plate.

Once you are sure that the pool is the correct size, level the curved sides of the pool. Do this by placing a 2" x 8" x 16" patio block under each of the bottom plates. The blocks will need to be sunk into the ground so that the bottom plates are at the same level as the top of the strap end channels. It is also important to make sure that the rails between the plates are resting flat on the ground.



NOTE: Check for levelness in all directions. When placing patio blocks underneath curved side bottom plates, leave 1" of the block inside the pool and 4" showing outside of the pool (see box #4 on reverse side for patio block diagram).

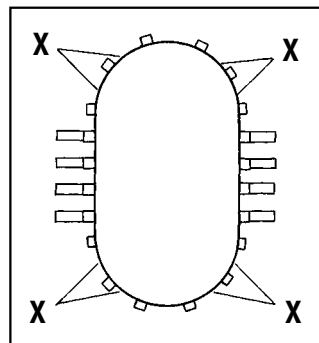
STEP 12 – WALL INSTALLATION:

***** DO NOT ATTEMPT THIS STEP IN WINDY CONDITIONS. THE WALL IS VERY HEAVY AND EXTREMELY DIFFICULT TO MANAGE ON A WINDY DAY. IF THE WIND DOES CATCH THE WALL DURING INSTALLATION IT CAN CREATE DANGEROUS SITUATIONS AND/OR CAUSE DAMAGE TO THE POOL.**

Before beginning the wall installation, you may remove a curved side bottom rail to cart in sand or sifted soil for the pool cove and base, as long as your curved sides are staked in position (make sure you return the bottom rail to its position.) In this step you will use the wall carton as a base to unravel the pool wall. While holding the wall joints behind an upright by starting the wall in the middle of a bottom plate, we recommend the skimmer and return hole at one of the four corners of the round section of the pool. The skimmer location is determined by where you start the wall.

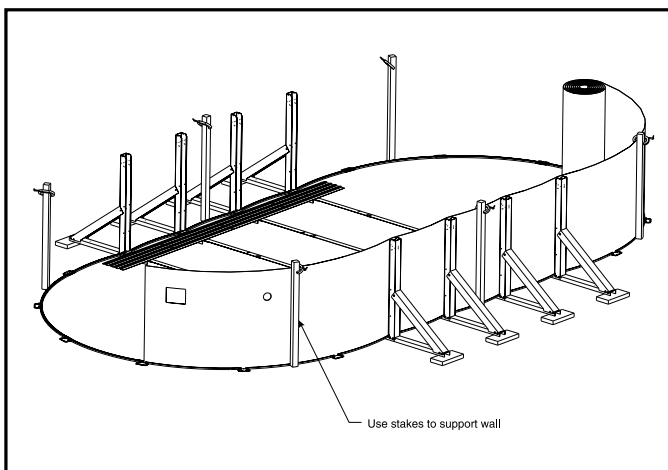
In any case, the wall joints must be on one of the curved ends of the pool and not on a straight side. Unravel the wall a little at a time, inserting it into the bottom rails as you go. Do not unravel the entire wall at once, for this will make installation difficult. As you unravel the wall you may temporarily install inner stabilizer rails, or use landscaping stakes with clamps to keep the wall in place. We recommend in addition to the rails or stakes that you temporarily use, small pieces of duct tape from the wall to each of the straight side uprights as added support during the installation.

If the sidewall appears too long or too short, make the curved sides larger or smaller by equally sliding the bottom rails in or out of the bottom plates. If the ground is uneven, the wall may jump out of the groove in the bottom rails. Correct this condition if it happens by rechecking the level.

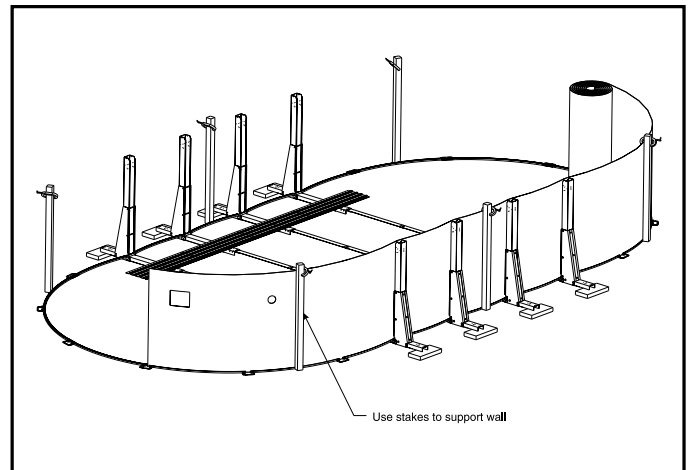


X = Suggested skimmer location.

Standard



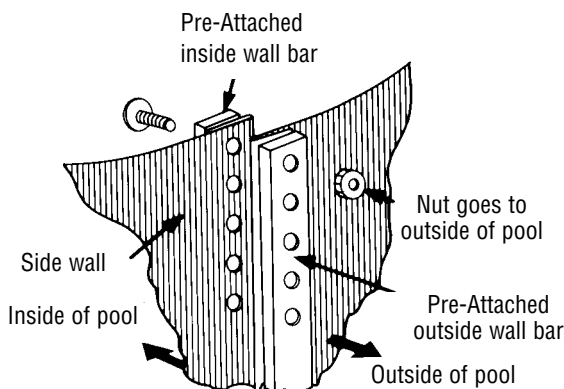
Yardmore



STEP 13: WALL JOINT ASSEMBLY

IMPORTANT- This operation must be done carefully! When joining the sidewall, make sure that the aluminum strips do not touch each other. One bar must be inside the pool (the bolts will touch this bar) and one bar must be outside the pool (the nuts will touch this bar). Insert the bolts with the bolt head to the inside and the nuts to the outside of the pool. Do not tighten until all bolts have been inserted. If your screwdriver slips and scratches the head of the bolt, file the scratch smooth so that it cannot puncture the liner. Cover the heads of the bolts, on the inside of the wall, with three layers of duct tape. If the insertion of the wall in the bottom rail is tight at the point where the wall is joined together, insert a screwdriver and twist to make enough room, again being sure not to scratch the wall or the wall rim. (*Sharkline has several wall closure systems, please follow the diagram that matches your pool.*)

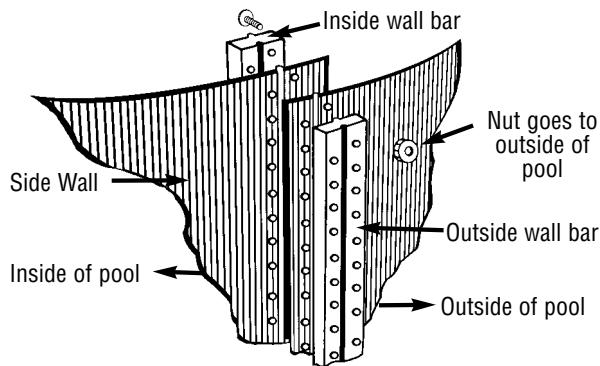
Type #1 Single Row



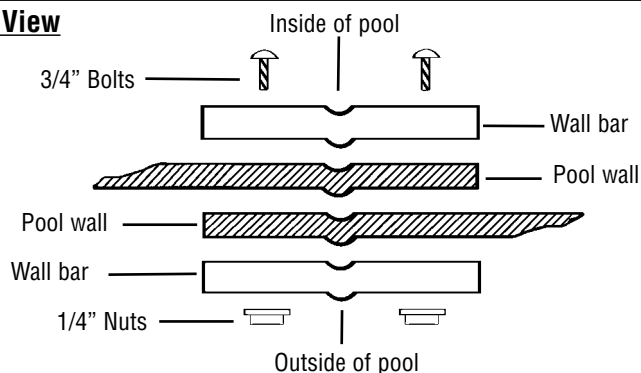
REMEMBER:

ALL HOLES AND BOLTS MUST BE USED ON 54" POOLS! 52" AND 48" POOLS MAY HAVE A FEW LEFT OVER. ALL NUTS SHOULD BE AS TIGHT AS POSSIBLE USING HAND TOOLS. BARS MUST NOT TOUCH EACH OTHER. IF THIS IS DONE INCORRECTLY YOUR POOL WILL BREAK!

Type #2 Staggered Bolt Pattern



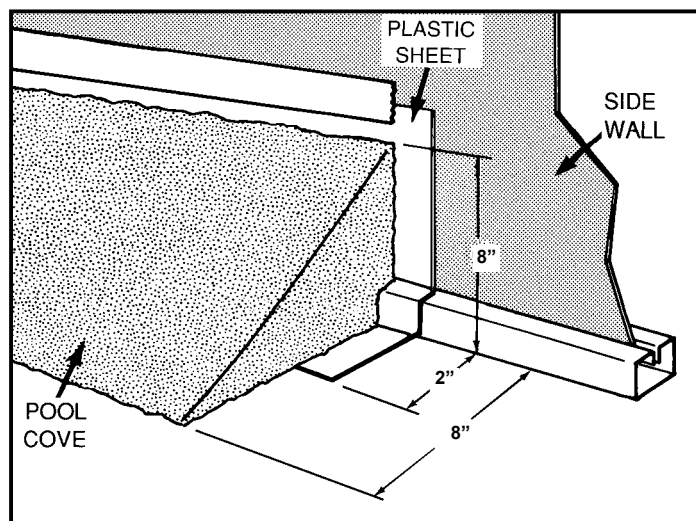
Top View



STEP 14 – PREPARING THE COVE:

Using neutral alkalinity sifted earth or fine sand without pebbles, build a 2" base over the entire pool area to protect the liner. Make sure that the straps and the pressure plates are covered entirely. If the base does not fully cover the metal components, they will show through and will damage the liner. If using vermiculite base, you must have at least two inches of soil or sand on top of the straps and pressure plates. Vermiculite alone will not properly cover these metal components, possibly allowing damage to the liner. Do not use any substance with high alkaline or acid content, such as peat moss. It will cause the pool to corrode.

Next, using sifted earth or fine sand, build a 6" to 8" pool cove inside the metal wall along the entire circumference. The cove will prevent the liner from creeping under the wall and will also protect the liner from any metal corners of the pool framework. **THIS STEP IS NOT OPTIONAL – IT MUST BE DONE!** Since earth containing chemicals can cause discoloration or corrosion, it is suggested that you place polyethylene plastic sheeting under the cove around the perimeter of the wall, so no earth comes in contact with the metal. Since the presence of such chemicals is beyond the control of the manufacturer, such damage is not covered by the warranty. The plastic sheeting will not prevent a washout in the event that your liner is damaged. The plastic is only to protect the metal framework of the pool from corrosion.



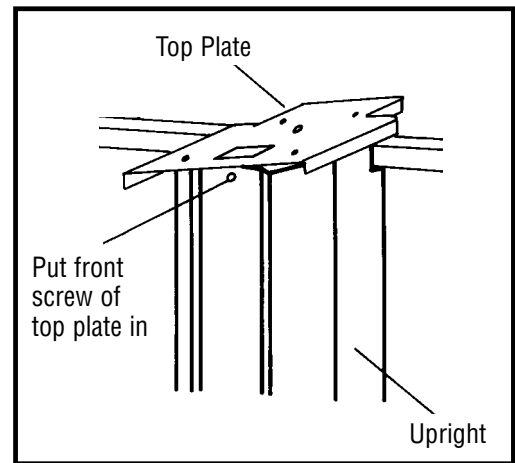
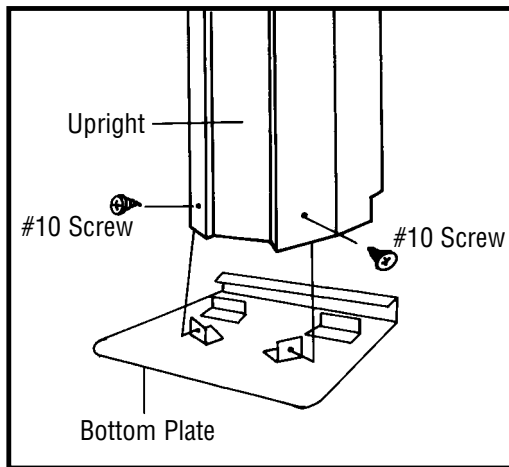
STEP 15 – CURVED END UPRIGHT ASSEMBLY:

It is easiest to align all of the uprights next to each other. It helps to lean them up against a fence or some other sturdy object. On most models, the top of the upright can be determined by either an extra hole in the middle, or one on each side (depending which model pool you have) for the decorator caps. Place the top plate on the upright making sure that the holes line up and the hooked part facing the open side. Now screw only the center hole using a #10 x 1/2" screw. Do not do the two side holes until later. This will make things easier and more efficient down the line.

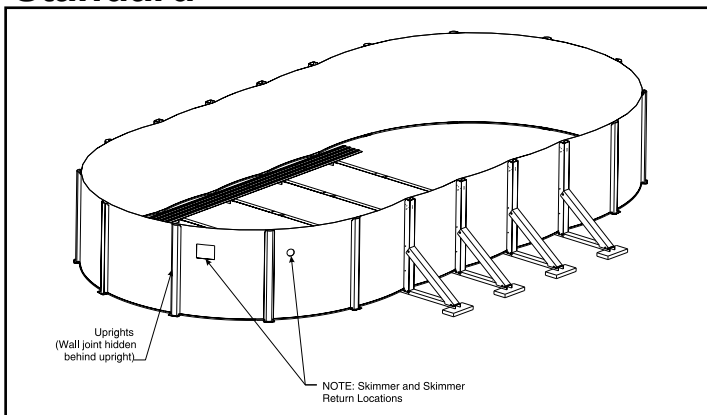
Now is the time to install the fence post holders onto the uprights if you have a fence for the pool. Please see separate fence instructions.

Install uprights on curved ends, refer to diagram. The top plates can remain unsecured for now, but should temporarily be clipped over the wall to prevent them from falling. Check the pool ends again for roundness, making sure that the stakes have not been moved, so that the pool remains a true oval. Place the uprights over the tabs on the bottom plates and secure with number ten screws. Make sure that the holes line up perfectly, as hole locations for the top and bottom plates vary on most pools.

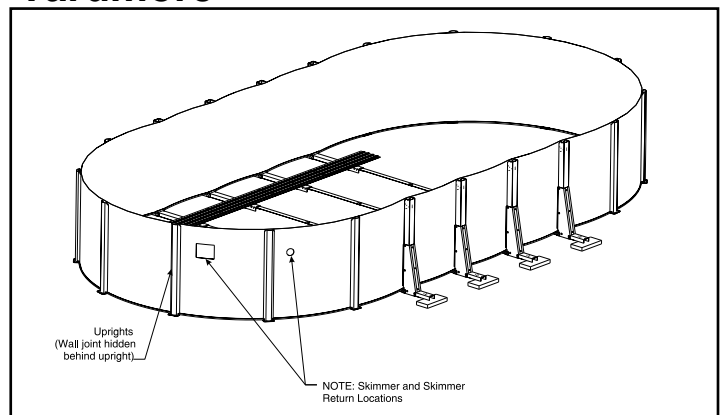
If your pool has a resin "boot" for the upright, secure it to the uprights now using two #10 screws for each.



Standard

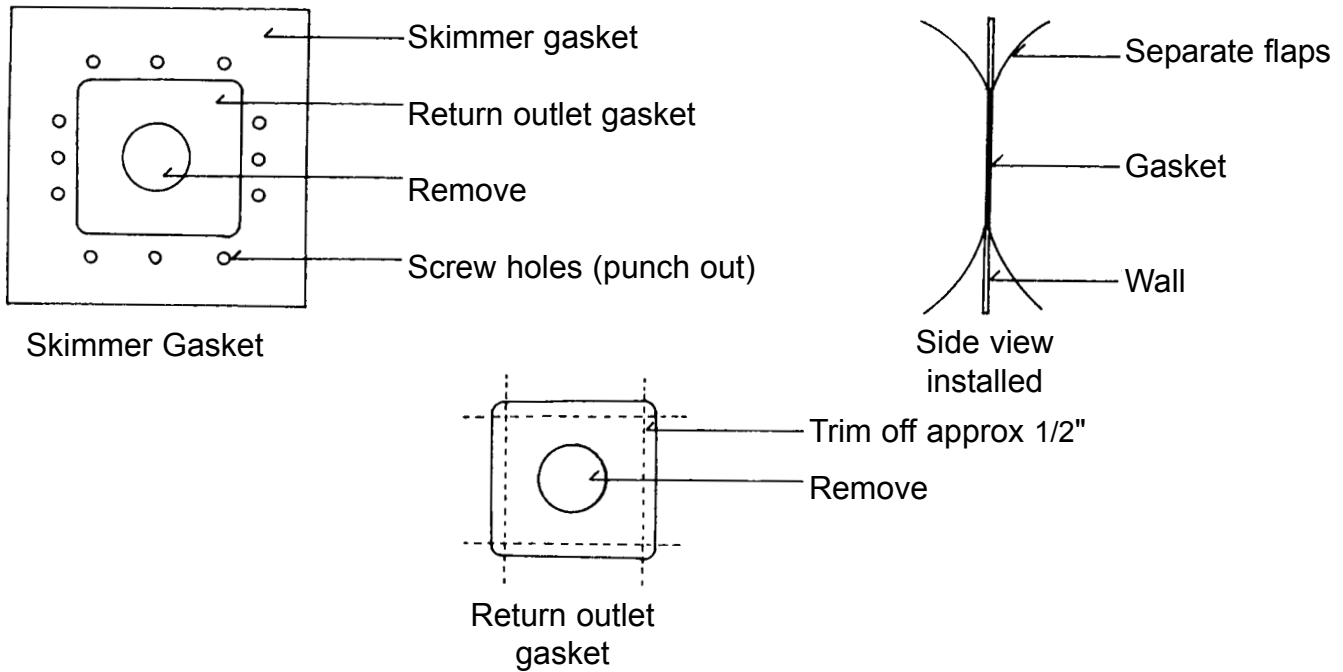


Yardmore



STEP 16 – LINER PREPARATION:

After cove and base are in place, tamp and rake the entire pool area. Make sure that no sand remains on the wall above the coving. This may cause pinholes in your liner. Before installing the liner, punch out skimmer and skimmer return holes using a hammer and a screwdriver. Duct tape or silicone the raw edges of the metal at the skimmer and return cutouts to protect from sharp edges. Locate your safety envelope, take out the double-sided vinyl gasket and install skimmer return gaskets as shown on included instruction sheet. **THIS MUST BE DONE!** You must also periodically inspect the gaskets for leaks to validate warranty. This is a critical step in pool maintenance. The majority of pool problems that we have seen over the past 40 years have been a result of poor skimmer and return gasket maintenance. If you see these areas leaking they MUST be repaired.

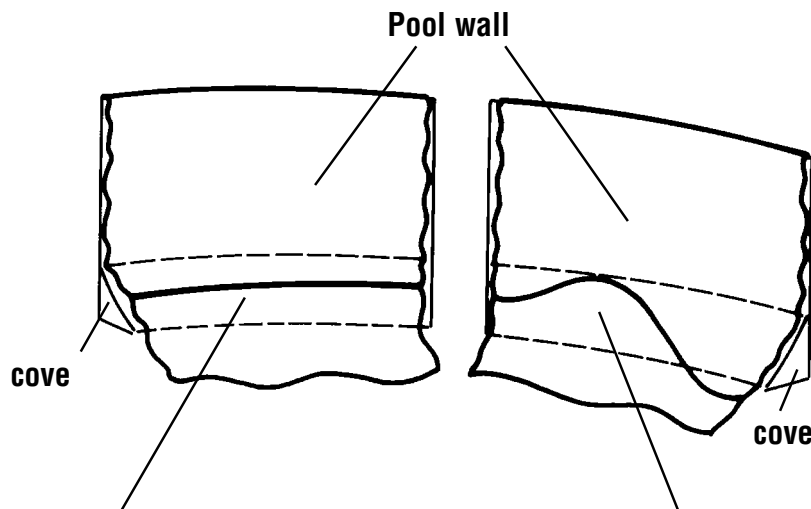
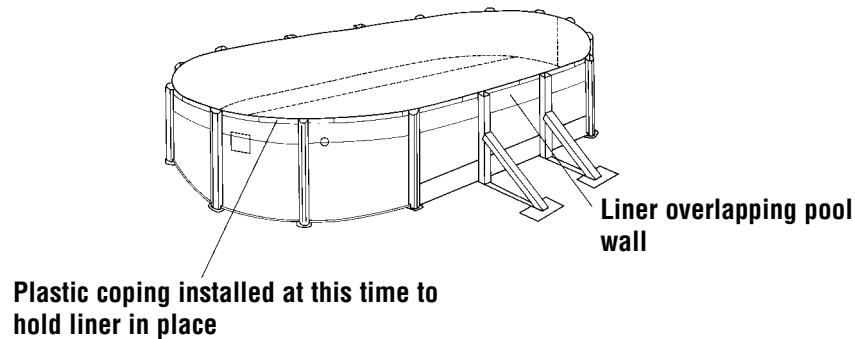


***See additional instructions included in your safety envelope**

STEP 17 – HANGING LINER AND COPING INSTALLATION:

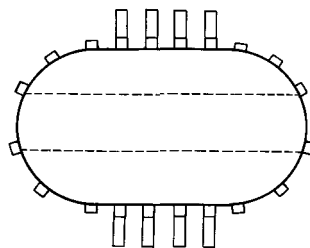
***** FOR OVERLAP LINERS ONLY! IF YOU HAVE A BEADED OR A J-HOOK LINER SEE SEPARATE INSTRUCTIONS WITH LINER.**

Starting at the liner wall seam, hang the liner over the wall, making sure that the seam is straight up and down, perpendicular to the floor. This will assure you that the liner begins going over the wall straight. If you have a border print liner simply pick a mark and hold it all the way around the pool. As you put the liner over the wall you can secure it using plastic coping. If you end up with excess material continue around the pool pulling excess liner evenly, and distribute over the wall until the excess is gone.



CORRECT LINER SEAM
Resting evenly on the cove of the pool.

INCORRECT LINER SEAM
Shifted up wall. This should not be done.
Correct this situation if it occurs.

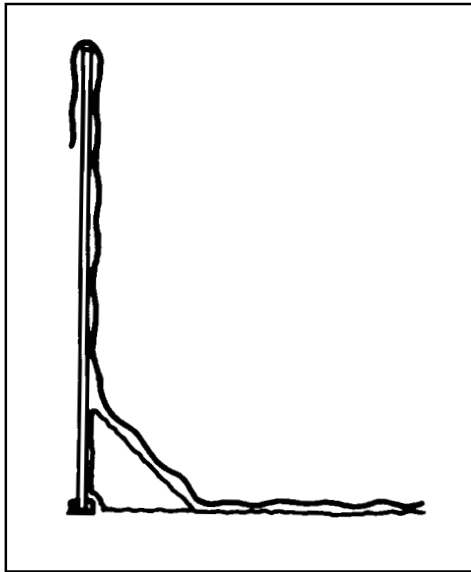


***NOTE:** Line wall seam straight up and down, away from skimmer and skimmer return.

STEP 18 – LINER ADJUSTMENT: (FOR OVERLAP LINERS ONLY)

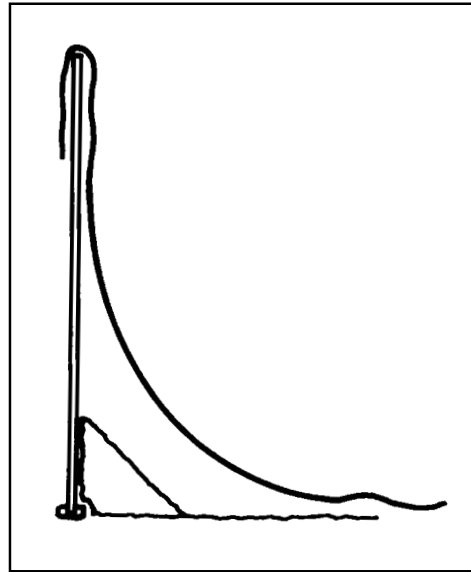
Once the liner is held securely in place by coping, temporarily pull wrinkles in the floor towards the sidewall evenly, leaving the wrinkles at the cove. When the liner is correctly positioned, there must be no air spaces between the liner and the ground or sidewall. Remove wrinkles at the cove by adjusting the amount of material over the wall. Do not pull too tight – leave the slack on the sides. When a liner is properly installed, there is no downward pressure on the liner. The liner will pull in if the wall vinyl does not have some slack when installing the pool.

Start filling the pool. When the water is no more than one inch deep, check to see that it is still level. If the water runs to one side, pull back the liner and make the ground level. When level, continue to fill and adjust the liner. Do not cut the skimmer or skimmer return holes in the liner until fully adjusted and the pool is 1/3 filled.



CORRECT

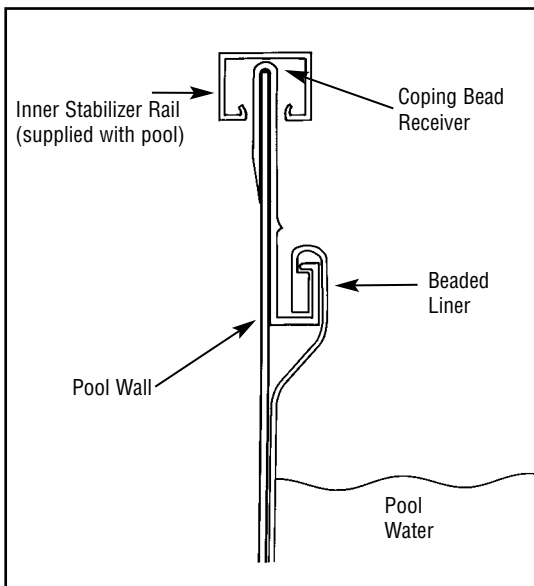
No air space between liner and pool - leave slack on sides.



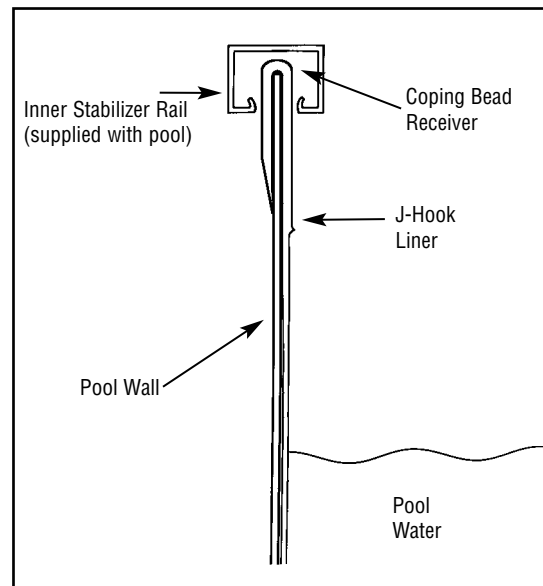
INCORRECT!

Do not leave a gap between liner and cove. This will cause downward pressure on the liner. Correct this condition if it occurs.

BEADED LINER



J-HOOK LINER

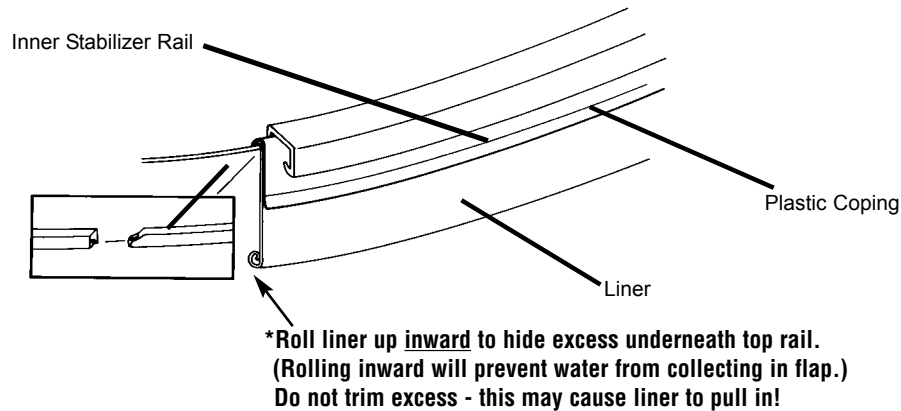


* These are two other common types of liners for above ground swimming pools. If you have one of these types of liners, please ignore this step and refer to separate instructions provided with your liner.

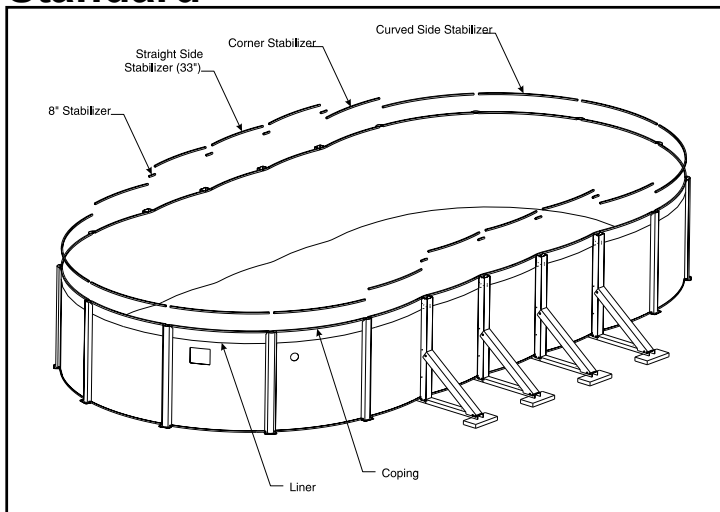
STEP 19 – INNER STABILIZER INSTALLATION:

When the liner is completely adjusted and the plastic coping is secured, the next step is to install the inner stabilizer rails. You should have four different size stabilizer rails (except for 12' X 17' pools which only have three). You should have some 8" rails, some 33" rails, four 37" rails, and an even number of longer rails which have one tapered side and one straight cut side. Separate stabilizers into different sizes now.

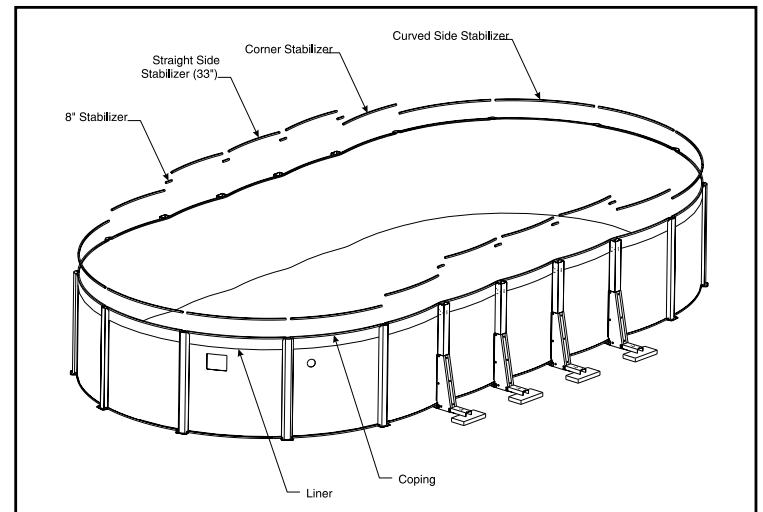
- A) Starting at the first upright on one of the curved sides, push one of the longest stabilizer rails over the coping so it fits snugly. Be sure to leave the straight cut end of the stabilizer slightly raised so that the next stabilizer can interlock as shown below. As they are progressively installed around the curved side of the pool note that the tapered end of the stabilizer easily telescopes into the straight cut end of the previous stabilizer. The tapered end should be inserted approximately 1" into the adjacent stabilizer. This allows for adjustment either in or out. Continue this until you get to the last curved side upright and then do the same with the remaining "long" stabilizers on the other curved side.
- B) Once the curved sides have been completed find the four 37" stabilizer bars. Push these stabilizers over the coping in the "corners" in the same way with the exception that they do not interlock into any other rails. Remember, the "corners" are the space between the last oval upright and the first curved side upright. There may be a small space between the stabilizers.
- C) The 33" stabilizer bars are also independent. These rails are used in the spaces between the oval uprights.
- D) Finally, the 8" stabilizer bars are installed directly in front of each oval upright. Because of the manner in which the wall bends around the oval upright these stabilizer bars are installed so that the ends of each bar are bending out away from the center of the pool.



Standard

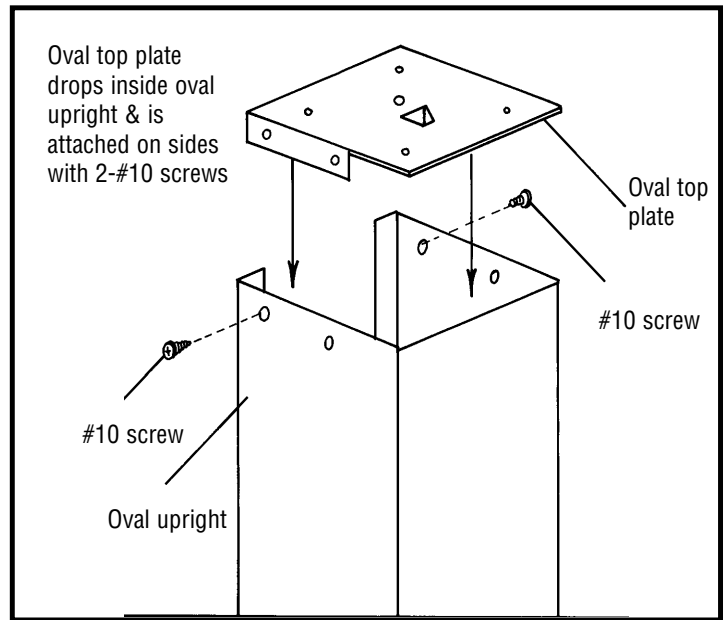


Yardmore



STEP 20 – STRAIGHT SIDE TOP PLATE INSTALLATION:

Now is the time to install the straight side top plates. Simply place each one over a different oval upright and the stabilizer rail, match the holes on the top plate to those on the oval upright and fasten them together using four #10 screws in each. After you have finished all of the straight side plates you can move on to the curved side ones. They should already have the center screw in place, so just lift the front of the plate over the stabilizer rail and push it down into place. The holes should match up. Finish by putting the last two screws through each plate and upright. Be sure that all uprights (straight side and curved side) are completely vertical. If they are crooked at all there will be problems getting the top rails to fit together properly.



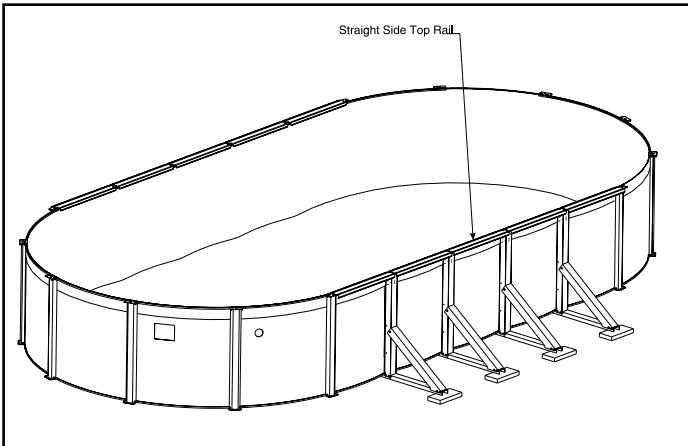
STEP 21 – TOP RAIL INSTALLATION:

You should have two different size top rails with your oval pool. The 41 ¼" long top rails (measured from longest point to longest point) are for the straight sides of the pool. Note, the four rails that connect the curved side uprights to the straight side uprights are 41 ¼" rails.

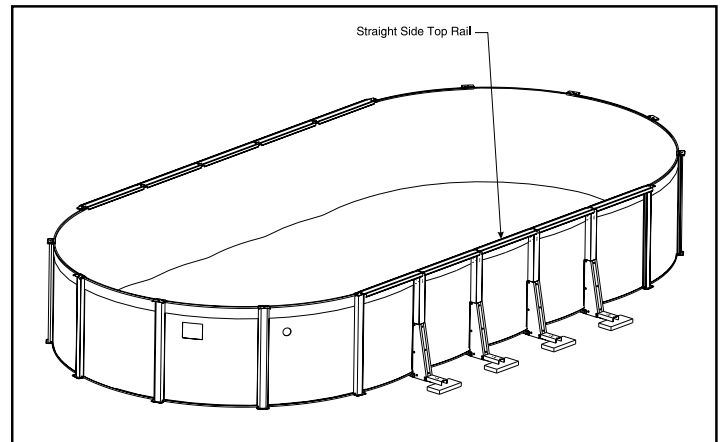
Install all straight side rails (41 ¼") first by placing them on the top plates, lining up the holes in the top rail with the holes in the top plates, and secure them down using four # 10 screws for each top rail. All screws should be put on loose and tightened after all rails are on.

Once all of the straight side rails are done, install the longer rails on the curved sides in the same fashion.

Standard



Yardmore

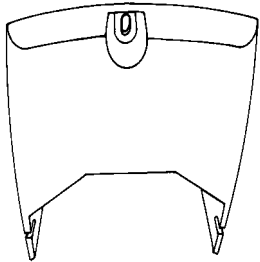


STEP 22 – TOP COVER INSTALLATION:

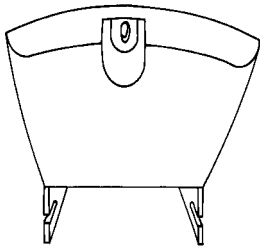
***ON 6" TOP RAIL POOLS WITH 2 PC. TOP COVERS, THE CURVED AND STRAIGHT SIDE COVERS ARE THE SAME.**

TWO PIECE RESIN TOP COVER WITH ATTACHMENTS ON THE SIDES:

There is a straight support with a square cutout to fit the oval upright, instead of an angle support supplied for the curved ends. It attaches the exact same way as the angle support.

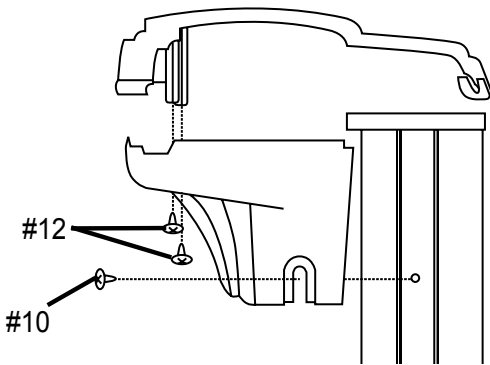


CURVED SIDE ANGLE SUPPORT:
Use on curved end upright.

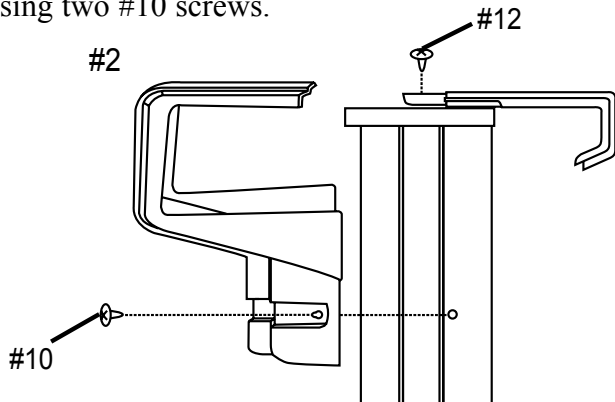


STRAIGHT SIDE SUPPORT:
Used on the straight side of the pool-notice the square cutout. Use on oval uprights.

Fasten bottom half of top cap to upright using #10 screws.
Secure top half to bottom half using #12 screws.

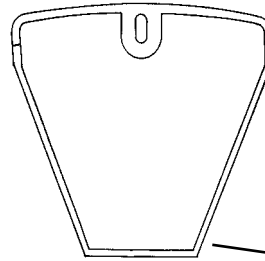


2 PC RESIN TOP COVER: Center small half over hole in the top plate as shown and attach with a #12 screw. Slide the large half over the small half and secure using two #10 screws.



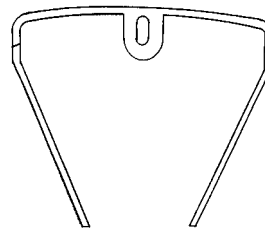
LARGE TWO PIECE RESIN TOP COVER WITH ATTACHMENT IN FRONT:

(DOES NOT INCLUDE 6" TOP RAIL POOLS.) The curved end angle support is slightly larger than the straight support. The straight support is not filled in the back.



TOP VIEW OF CURVED SIDE ANGLE SUPPORT:
Larger than straight side support. Has back wall. Use on curved end uprights.

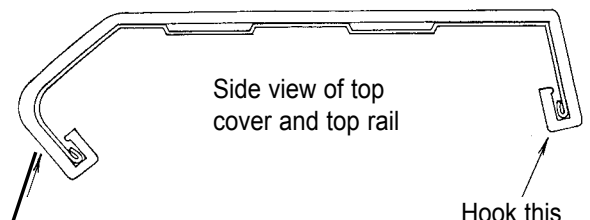
Back wall



TOP VIEW OF STRAIGHT SIDE SUPPORT:
Smaller piece that is open in back. Use on oval uprights.

No back wall

ONE PIECE RESIN CLIP-ON COVER: This installation requires no hardware. Simply hook the back end of the top cover into place, and use your fingers or a screwdriver to gently flex the front tabs enough to hook the cover in place. Make sure that the top cover is centered over the upright when installing.



Swing this end around and gently flex tab into place.

Bullnose rail is used for the illustration, but installation is the same for all 1 pc. clip-on resin covers.

FINAL INSTALLATION TIPS:

When installing a thru-the-wall skimmer, follow the instructions of the manufacturer. **It is essential that there is no leakage of water at either of the openings. If water is allowed to drip down the metal wall of the pool, it will cause the wall to eventually deteriorate and split.** At the slightest sign of corrosion, you must sand down this area and paint it. It is a good idea to silicone edge of wall at skimmer opening. A special double sided vinyl gasket is included that is to be used beneath vinyl liner at skimmer opening. Gasket is used directly over steel and aluminum wall.

Be prepared to chlorinate your water within 24 hours of filling to prevent algae and bacterial growth. If you are using well water or water with high mineral content, consult your pool dealer for proper preventative action.

DO NOT PUT POOL CHEMICALS DIRECTLY INTO THE WATER. ALL CHEMICALS MUST BE THOROUGHLY DISSOLVED IN WATER, AND THEN POURED INTO POOL. IF CHLORINE IS NOT DISSOLVED, IT WILL BLEACH LINER AND MAKE PINHOLES IN THE LINER. IF WATER IS DRAINED AT ANY TIME, LINER MAY SHRINK AND BECOME UNUSABLE WITH NO RECOURSE TOWARDS THIS COMPANY. REMOVAL OF WATER WILL VOID WARRANTY.

POOL MAINTENANCE:

Small repairs and punctures in your liner may be easily repaired using underwater repair kits available at your local dealer. Scratches on your pool wall and frame must be touched up with anti-rust enamel paint. Keep your pool wall and frame clean. Wash periodically with a mild soap solution (no abrasives). Use a clear non-yellowing household wax on all metal components. Quickly wash away any deposits of pool chemicals which land on the frame of your pool.

Since metal parts are subject to wear and/or corrosion, a strict periodic inspection schedule should be maintained and followed. If any corrosion is found **IMMEDIATE CORRECTIVE ACTION MUST BE TAKEN.** Wire brush all rust and add a coat of enamel primer followed by a coat of color matching anti-rust enamel paint. The skimmer area is one particular area that must be carefully inspected. If any corrosion is allowed to continue, failure of the pool structure may follow which could result in excessive property damage as well as bodily harm.

WINTERIZING YOUR POOL:

All of our liners are designed to be left up all winter, but nonetheless are subject to the warranty of the liner being purchased. Continue to chlorinate and filter until the pool is closed down. Before closing down your pool for the winter you must make a complete inspection of the pool. Check all the connections to make sure everything is tight and in good condition. Check to see that the liner is snugly held in place over the wall. If there is any indication of rust or deterioration in any part you must correct the situation immediately. During the winter the pool is subject to more stress than in the summer and any breakage that is caused by incorrect winter procedures is not subject to any warranty with this company.

Lower the level of water to about one foot below the skimmer holes. Throughout the winter you must continually check this level as it must not reach the skimmer holes at any time during the winter. Because of rain and snow, adjustments will become necessary. If you live in a climate where temperatures below zero are common, you must be more careful in protecting your pool against ice expansion. You must not allow the ice or water level to rise during the winter. Use an extra ice equalizer or two as an extra precaution. Never leave the pool stand empty without any water in it as it will be subject to wind damage. If ice is allowed to reach the skimmer holes any movement can cause damage to wall at this point. During the winter the pool requires the use of an equalizer to allow for the expansion and contraction that occurs when ice is formed and to hold cover up. This can be a product manufactured for this express purpose and is available at your local swimming pool dealer. The use of a winterizing agent will simplify the start-up of the pool next season. A cover designed for winter use is also recommended to keep the dirt out.

If your skimmer is supplied with a winter plate and cap, follow same steps as above. It is essential that no water be allowed to run down the wall for any period of time as it will cause the wall to deteriorate. If your skimmer did not come with the winter plate it is available at a nominal charge at your dealer and is recommended. Even in the summer the **SKIMMER MUST NOT BE ALLOWED TO LEAK INSIDE OR OUTSIDE THE WALL** as this will cause the wall to deteriorate and possibly break.

YOU HAVE BEEN GIVEN TWO WARNING LABELS WHICH MUST BE PLACED ON THE LINER EQUALLY DISTANT. ONE LABEL HAS ALREADY BEEN ATTACHED TO THE TOP RAIL. THE ENVELOPE YOU HAVE RECEIVED GIVES FULL INSTRUCTIONS. YOU HAVE ALSO RECEIVED A LARGER SIGN WHICH IS TO BE PLACED ON THE OUTSIDE WALL NEXT TO THE ENTRY OF THE POOL.

IMPORTANT WINTER RULES:

After pool has been winterized and ALL steps carefully followed, the following checks and procedures MUST BE strictly followed during fall, winter and spring seasons.

YOUR POOL WARRANTY WILL BE INVALID IF POOL HAS BEEN IMPROPERLY WINTERIZED AND THE FOLLOWING PROCEDURES NOT STRICTLY ADHERED TO. POOLS WHICH HAVE BEEN INCORRECTLY WINTERIZED HAVE BEEN KNOWN TO COLLAPSE UNDER THE TREMENDOUS PRESSURES EXERTED BY ICE AND SNOW.

A pool that is left up during the freezing temperatures MUST NOT BE ALLOWED TO LEAK. To determine if your pool is leaking, mark the liner at the water level and very closely observe the water level in the pool for a period of 10 days to 2 weeks after pool is closed for the season. Any rain during this period may compensate for any undetected water leakage. Therefore, observation period must be extended to find any leaks. All leaks must be found and immediately repaired. Any water leakage which goes undetected or occurs after top surface is frozen will allow the frozen surface to settle and may damage the pool liner, wall and framework.

NOTE: It is not uncommon for a leak to develop during rigorous summer usage and go undetected. What is thought to be water loss due to evaporation or spillage may be caused by a small leak. Persistent wet areas around pool should be inspected.

Maintain a strict leak inspection schedule throughout the fall, winter and spring months. Spring thawing which frequently leads to ground heaving can be especially dangerous if care is not taken.

Maintain a strict inspection of the in wall skimmer housing to see that water is not leaking at the gasket. If the skimmer was not removed water should not be allowed to build up in the skimmer housing as the water will freeze and crack the housing and cause possible damage to the wall.

Should ice cut your pool liner thereby allowing the pool to empty, remove all weight from the top of your pool cover, otherwise the pool could collapse due to the pulling in of the cover.

Consult your pool dealer for the proper winter chemicals for quick spring start up.

A winter cover is recommended for winter use, to keep pressure on the equalizer so it is forced into the water and to keep the pool clean.

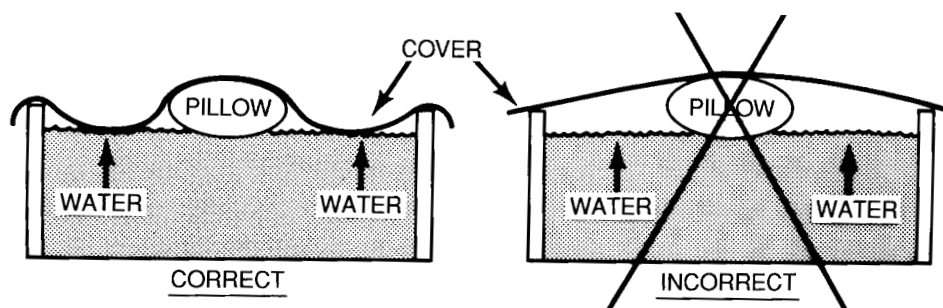
During the course of the winter the liner may pull out of its coping due to no fault of the MANUFACTURER OR THE POOL INSTALLER. Due to freezing and thawing of the ground, the ground sometimes sinks and the liner with the weight of ice or water will sink also, thusly pulling the liner out of its coping.

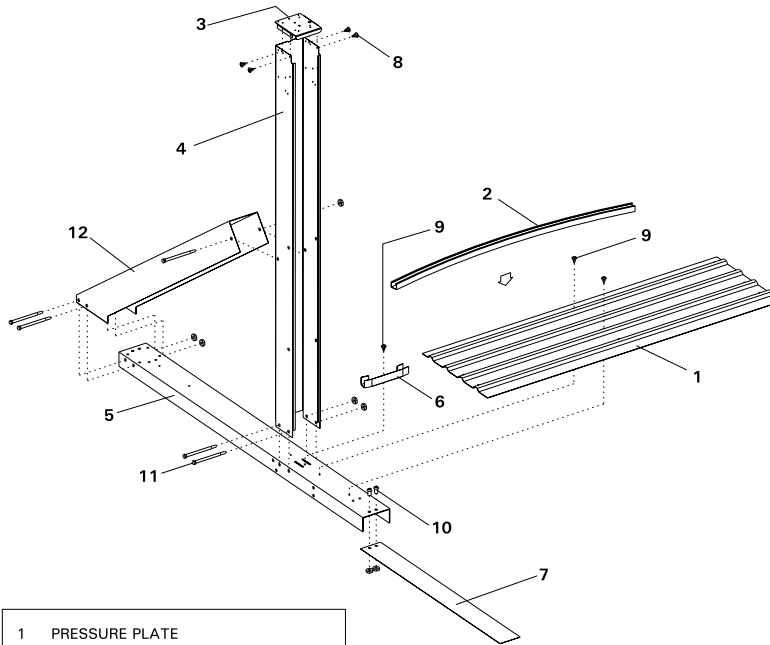
DO NOT PERMIT ICE SKATING, as this may damage the liner.

IF THESE INSTRUCTIONS ARE NOT FOLLOWED CAREFULLY YOUR WARRANTY WILL BE VOIDED WITH POSSIBLE PERMANENT DAMAGE TO YOUR POOL.

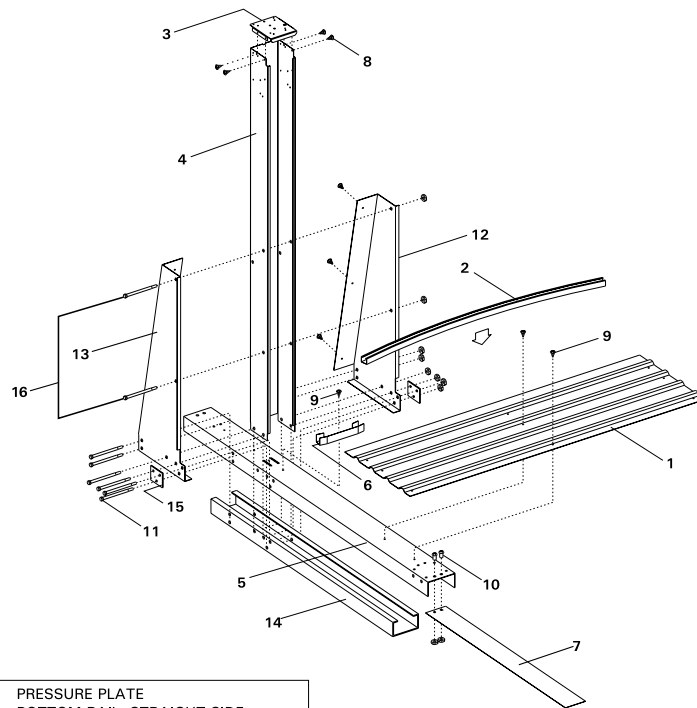
WHEN USING A WINTER POOL COVER

The illustrations below demonstrate the correct way to install your winter cover. The illustration on right marked incorrect is a very common mistake that may possibly cause damage to your pool during the winter months.





- 1 PRESSURE PLATE
- 2 BOTTOM RAIL, STRAIGHT SIDE
- 3 OVAL TOP PLATE
- 4 WRAP-AROUND OVAL UPRIGHT
- 5 CHANNEL, 2" TALL
- 6 STRAIGHT SIDE BOTTOM CONNECTOR
- 7 STRAP
- 8 SCREWS, #10 X 1/2"
- 9 SCREWS, #12 X 3/4"
- 10 BOLTS, 5/16-18 X 1/2"
- 11 BOLTS, 5/16-18 X 4 1/2"
- 12 WRAP-AROUND STRUT



- 1 PRESSURE PLATE
- 2 BOTTOM RAIL, STRAIGHT SIDE
- 3 OVAL TOP PLATE
- 4 WRAP-AROUND OVAL UPRIGHT
- 5 CHANNEL, 2" TALL
- 6 STRAIGHT SIDE BOTTOM CONNECTOR
- 7 STRAP
- 8 SCREWS, #10 X 1/2"
- 9 SCREWS, #12 X 3/4"
- 10 BOLTS, 5/16-18 X 1/2"
- 11 BOLTS, 5/16-18 X 5"
- 12 GUSSET, LEFT SIDE (BUTTRESSLESS)
- 13 GUSSET, RIGHT SIDE (BUTTRESSLESS)
- 14 UNDER BOX CHANNEL
- 15 WASHER, 3 HOLE
- 16 BOLTS, 5/16-18 X 4 1/2"