



## Pool Breakdown

# SALTWATER MAGNUS 15' ROUND 54"

This first page lists the quantity, carton number, and carton description for each individual box and/or pallet in your shipment. Check that the numbers and descriptions on your checklist match identically to those on the cartons. Make sure that the pool type, model, shape, and size also line up perfectly. If something is off, even by one number, check to make sure that you have the correct checklist for your pool type and if so, contact our support team immediately at [support@royalswimmingpools.com](mailto:support@royalswimmingpools.com).

<input checked="" type="checkbox"/>	Qty	Carton Product Number #	Carton Content Description
<input type="checkbox"/>	1	350015744	3/5 15D 744-59-63-80 /844-59 SIMBIO CLAY
<input type="checkbox"/>	1	450015844	4/5 15D 844 859 SIMBIO CLAY 54"
<input type="checkbox"/>	1	550015804	5/5 15D 804 SIMBIO CLAY
<input type="checkbox"/>	1	WELL54S-WMS15-0530	WALL: ELLIPSE 54" STEEL WM SS 15

Once you have all of the cartons listed above, continue to the next page. There should be one table per carton and each carton should be gone through entirely before moving on to the next.

Please ensure that you have received the proper quantity for each item listed.

**DO NOT THROW CARTONS/BOXES AWAY UNTIL AFTER THE INSTALLATION IS COMPLETE. We recommend taking photos of all labels/stickers on the boxes.**

In the unlikely event that you are missing items, please refer to the document Inventory Checklist and Reporting Missing Items that was previously emailed to you.

Once you have ALL items listed on the entire inventory checklist, refer to your safety handbook and installation manual before you start the building process.

CUSTOMER SUPPORT CAN BE REACHED AT ANY OF THE FOLLOWING:

CALL: 901-372-1773

TEXT: 901-472-7797

EMAIL: [support@royalswimmingpools.com](mailto:support@royalswimmingpools.com)



## Carton Breakdown

# SALTWATER MAGNUS 15' ROUND 54"

Carton Product Number #	Carton Content Description
350015744	3/5 15D 744-59-63-80 /844-59 SIMBIO CLAY

√	Key #	Qty	Part #	Part Description
<input type="checkbox"/>	A	10	AR744-001-R	TOP LEDGE SIMBIO UNIVERSAL

\*Below items will contain no actual pool parts; just packaging/shipping materials

Qty	Part #	Part Description
2	BTE571908	BOX TEL 57" X 19" X 08" 275C

---

Carton Product Number #	Carton Content Description
450015844	4/5 15D 844 859 SIMBIO CLAY 54"

√	Key #	Qty	Part #	Part Description
<input type="checkbox"/>	B	10	ART811-R12954M	UPRIGHT ZENITH CLAY TEXT REG 53.750"

\*Below items will contain no actual pool parts; just packaging/shipping materials

Qty	Part #	Part Description
2	BTE541806	BOX TEL REVERSIBLE 54"X18"X06" 275C

CUSTOMER SUPPORT CAN BE REACHED AT ANY OF THE FOLLOWING:

CALL: 901-372-1773

TEXT: 901-472-7797

EMAIL: support@royalsswimmingpools.com



## Carton Breakdown

# SALTWATER MAGNUS 15' ROUND 54''

Carton Product Number #	Carton Content Description
550015804	5/5 15D 804 SIMBIO CLAY

√	Key #	Qty	Part #	Part Description
<input type="checkbox"/>	*	1	SACVHL12114-42	BAG 42 SCREW 1 1/4"-12 PAN WAS/PH HI-LO
<input type="checkbox"/>	*	1	SACV12X34-74	BAG 74 SCREW 12-3/4 STAINLESS
<input type="checkbox"/>	E	10	AR211-23120ABC	LEDGE COVER ZENITH CLAY
<input type="checkbox"/>	C	10	21120A	JOINER PLATE ZENITH GALVANIZED
<input type="checkbox"/>	*	1	SACWBI36876	SAC DVD D`INSTALLATION TRENDIUM
<input type="checkbox"/>	F	10	AR711-23300AC	UPRIGHT COVER ZENITH CLAY
<input type="checkbox"/>	C	10	CG21120B	PLASTIC JOINER PLAT ZENITH COGNAC BOTTOM
<input type="checkbox"/>	D	10	1525515	BOTTOM RAIL 15' REGULAR CHAMPAGNE L 55-1/4"
<input type="checkbox"/>	D	10	LA1255615	WALL CHANNEL OMEGA TEXT 15D 55-7/8"

\*Below items will contain no actual pool parts; just packaging/shipping materials

Qty	Part #	Part Description
2	BTE571908	BOX TEL 57" X 19" X 08" 275C

CUSTOMER SUPPORT CAN BE REACHED AT ANY OF THE FOLLOWING:

CALL: 901-372-1773

TEXT: 901-472-7797

EMAIL: support@royalswimmingpools.com



## Carton Breakdown

# SALTWATER MAGNUS 15' ROUND 54"

Carton Product Number #	Carton Content Description
WELL54S-WMS15-0530	WALL: ELLIPSE 54" STEEL WM SS 15

√	Key #	Qty	Part #	Part Description
<input type="checkbox"/>	H	1		WALL
<input type="checkbox"/>	G	2	WBI-11825	Steel Wall Joiner Bars 54"
<input type="checkbox"/>	*	1	1050000054	Hardware bag/wall

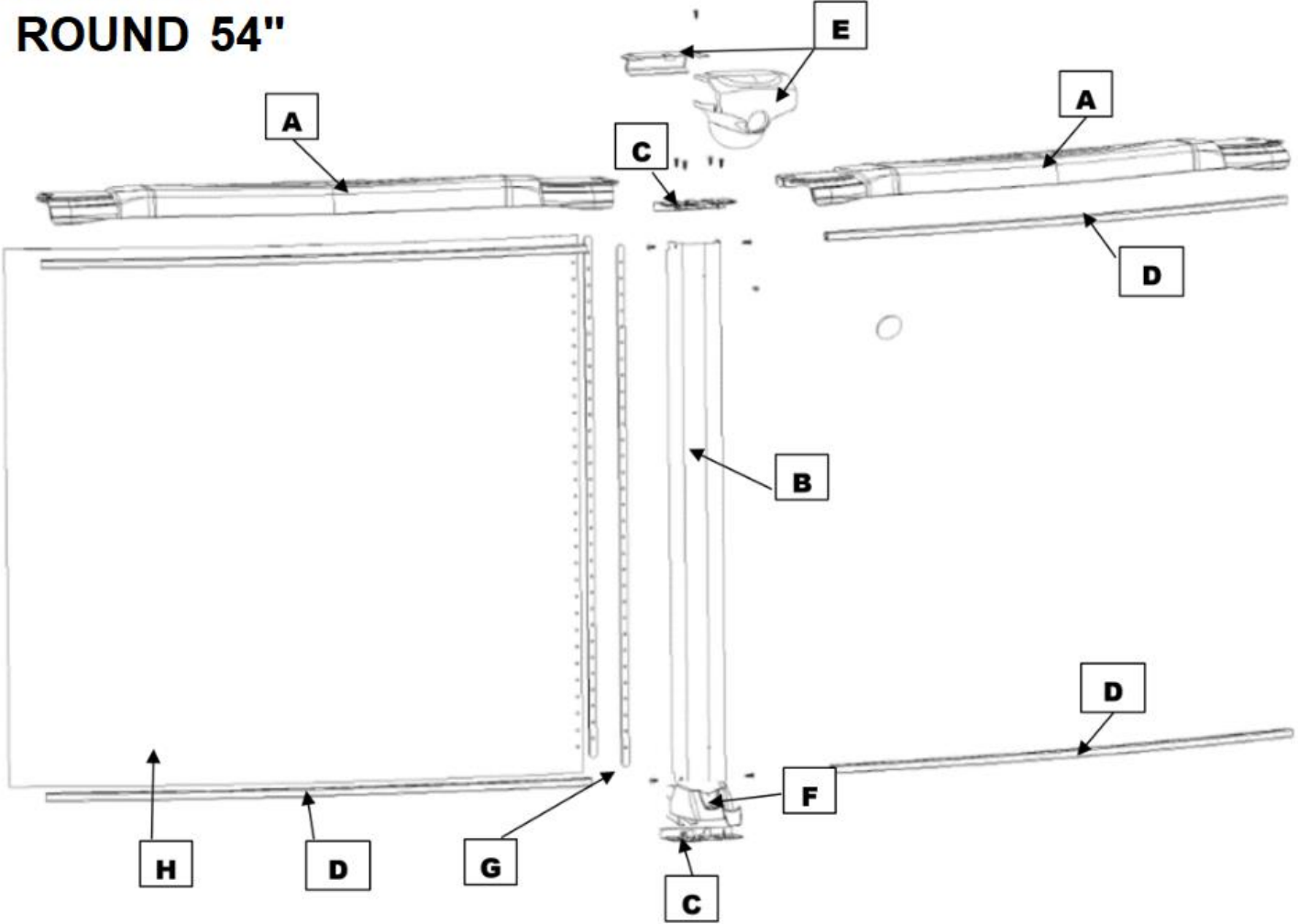
CUSTOMER SUPPORT CAN BE REACHED AT ANY OF THE FOLLOWING:

CALL: 901-372-1773

TEXT: 901-472-7797

EMAIL: [support@royalswimmingpools.com](mailto:support@royalswimmingpools.com)

**MAGNUS  
ROUND 54"**



CUSTOMER SUPPORT CAN BE REACHED AT ANY OF THE FOLLOWING:  
CALL: 901-372-1773  
TEXT: 901-472-7797  
EMAIL: [support@royalswimmingpools.com](mailto:support@royalswimmingpools.com)