



Pool Breakdown

SALTWATER MAGNUS 18'x33' OVAL 54"

This first page lists the quantity, carton number, and carton description for each individual box and/or pallet in your shipment. Check that the numbers and descriptions on your checklist match identically to those on the cartons. Make sure that the pool type, model, shape, and size also line up perfectly. If something is off, even by one number, check to make sure that you have the correct checklist for your pool type and if so, contact our support team immediately at support@royalswimmingpools.com.

√	Qty	Carton Product Number #	Carton Content Description
<input type="checkbox"/>	1	371833744	3/7 1833 744-59-63-80/844-59 SIMBIO CLAY
<input type="checkbox"/>	1	471833844	4/7 1833 844 859 SIMBIO CLAY 54"
<input type="checkbox"/>	1	5720801-4	KIT 4 T UNIT PAINTED
<input type="checkbox"/>	1	5720801-6	KIT 6 T UNIT PAINTED
<input type="checkbox"/>	1	67ST3215301833	6/7 1530 1833 858 859
<input type="checkbox"/>	1	771833804	7/7 1833 804 SIMBIO CLAY
<input type="checkbox"/>	1	WELL54S-WMS1833-1007	WALL: ELLIPSE 54" STEEL WM SS 1833

Once you have all of the cartons listed above, continue to the next page. There should be one table per carton and each carton should be gone through entirely before moving on to the next.

Please ensure that you have received the proper quantity for each item listed.

DO NOT THROW CARTONS/BOXES AWAY UNTIL AFTER THE INSTALLATION IS COMPLETE. We recommend taking photos of all labels/stickers on the boxes.

In the unlikely event that you are missing items, please refer to the document Inventory Checklist and Reporting Missing Items that was previously emailed to you.

Once you have ALL items listed on the entire inventory checklist, refer to your safety handbook and installation manual before you start the building process.

CUSTOMER SUPPORT CAN BE REACHED AT ANY OF THE FOLLOWING:

CALL: 901-372-1773

TEXT: 901-472-7797

EMAIL: support@royalswimmingpools.com



Carton Breakdown: SALTWATER MAGNUS 18'x33' OVAL 54"

Carton Product Number #	Carton Content Description
67ST3215301833	6/7 1530 1833 858 859

√	Key #	Qty	Part #	Part Description
<input type="checkbox"/>	N	10	20509	REINFORCEMENT PART GALV 52.875"
<input type="checkbox"/>	O	8	20809	BRACE PLATE BRACELESS GALVANISED 47.00"

*Below items will contain no actual pool parts; just packaging/shipping materials

Qty	Part #	Part Description
2	BTE541904	BOX TEL REVERSIBLE 54-3/4 x 19-3/4 x 4 42BC

Carton Product Number #	Carton Content Description
5720801-4	KIT 4 T UNIT PAINTED

√	Key #	Qty	Part #	Part Description
<input type="checkbox"/>	M	4	1000100	STYROFOAM BLOCK FOR T UNIT
<input type="checkbox"/>	K	4	20801	T UNIT PAINTED

Carton Product Number #	Carton Content Description
WELL54S-WMS1833-1007	WALL: ELLIPSE 54" STEEL WM SS 1833

√	Key #	Qty	Part #	Part Description
<input type="checkbox"/>	H	1		WALL
<input type="checkbox"/>	G	2	WBI-11825	Steel Wall Joiner Bars 54"
<input type="checkbox"/>	*	1	1050000054	Hardware bag/wall

CUSTOMER SUPPORT CAN BE REACHED AT ANY OF THE FOLLOWING:

CALL: 901-372-1773

TEXT: 901-472-7797

EMAIL: support@royalswimmingpools.com



Carton Breakdown: SALTWATER MAGNUS 18'x33' OVAL 54"

Carton Product Number #	Carton Content Description
5720801-6	KIT 6 T UNIT PAINTED

√	Key #	Qty	Part #	Part Description
<input type="checkbox"/>	M	6	1000100	STYROFOAM BLOCK FOR T UNIT
<input type="checkbox"/>	K	6	20801	T UNIT PAINTED

Carton Product Number #	Carton Content Description
371833744	3/7 1833 744-59-63-80/844-59 SIMBIO CLAY

√	Key #	Qty	Part #	Part Description
<input type="checkbox"/>	A	8	AR744-001-45	TOP LEDGE SIMBIO STRAIGHT 45"
<input type="checkbox"/>	A	12	AR744-001-R	TOP LEDGE SIMBIO UNIVERSAL

*Below items will contain no actual pool parts; just packaging/shipping materials

Qty	Part #	Part Description
2	BTE541914	BOX 57" X 19" X 14"
2	LN7516	SLEEVE 75" X 16"

Carton Product Number #	Carton Content Description
471833844	4/7 1833 844 859 SIMBIO CLAY 54"

√	Key #	Qty	Part #	Part Description
<input type="checkbox"/>	B	20	ART811-R12954M	UPRIGHT ZENITH CLAY TEXT REG 53.750"

*Below items will contain no actual pool parts; just packaging/shipping materials

Qty	Part #	Part Description
2	BTE541810	BOX TEL REVERSIBLE 54"X 18"X10" 275C PRINT

CUSTOMER SUPPORT CAN BE REACHED AT ANY OF THE FOLLOWING:

CALL: 901-372-1773

TEXT: 901-472-7797

EMAIL: support@royalswimmingpools.com



Carton Breakdown: SALTWATER MAGNUS 18'x33' OVAL 54"

Carton Product Number #	Carton Content Description
771833804	7/7 1833 804 SIMBIO CLAY

√	Key #	Qty	Part #	Part Description
<input type="checkbox"/>	L	10	20526	STEEL STRAP GALVANIZED BRACELESS 26.00"
<input type="checkbox"/>	M	10	20810	HORIZONTAL SLEEVE GALV WITH PEN NUTS 17"
<input type="checkbox"/>	L	15	20560	STEEL STRAP GALVANIZED BRACELESS 59.750"
<input type="checkbox"/>	C	20	CG21120B	PLASTIC JOINER PLAT ZENITH COGNAC BOTTOM
<input type="checkbox"/>	Q	30	B38X16X34	SCREW \ TRUSS \ QUADREX \ 3/8-16 \ 3/4" \ 18-8 SS
<input type="checkbox"/>	F	20	AR711-23300AC	UPRIGHT COVER ZENITH CLAY
<input type="checkbox"/>	D	8	1525515	BOTTOM RAIL 15' REGULAR CHAMPAGNE L 55-1/4"
<input type="checkbox"/>	D	8	1514215	BOTTOM RAIL STR SIDE CHAMPAGNE 42.436"
<input type="checkbox"/>	*	1	SACV12X34-66	BAG 66 SCREW 12-3/4 STAINLESS
<input type="checkbox"/>	*	1	SAC12539-20	BAG 20 WALL CHANNEL
<input type="checkbox"/>	*	1	SACWBI36876	SAC DVD D`INSTALLATION TRENDIUM
<input type="checkbox"/>	*	1	SACVHL12114-84	BAG 84 SCREW 1 1/4"-12 PAN WAS/PH HI-LO
<input type="checkbox"/>	*	1	SACSF-6	HARDWARE KIT BRACELESS (6x"T")
<input type="checkbox"/>	D	4	1325315	RESIN TRANSITION TRACK CUT ONE END @ 54-1/8"
<input type="checkbox"/>	*	1	SACSF-4	HARDWARE KIT BRACELESS (4x"T")
<input type="checkbox"/>	D	8	LA1255618	WALL CHANNEL OMEGA TEXT 18D 55-7/8"
<input type="checkbox"/>	D	8	LA1254138	WALL CHANNEL OMEGA TEXT 27D 38.00"
<input type="checkbox"/>	C	20	21120A	JOINER PLATE ZENITH GALVANIZED
<input type="checkbox"/>	M	10	20802	HORIZONTAL SLEEVE GALVANIZED 17"
<input type="checkbox"/>	*	1	SACV12X34-74	BAG 74 SCREW 12-3/4 STAINLESS
<input type="checkbox"/>	D	4	LA1255418	WALL CHANNEL TEXTURED 18D 54.320"
<input type="checkbox"/>	E	20	AR211-23120ABC	LEDGE COVER ZENITH CLAY
<input type="checkbox"/>	s	30	N38X16S	NUT \ HEX \ 3/8-16 \ 18-8SS

CUSTOMER SUPPORT CAN BE REACHED AT ANY OF THE FOLLOWING:

CALL: 901-372-1773

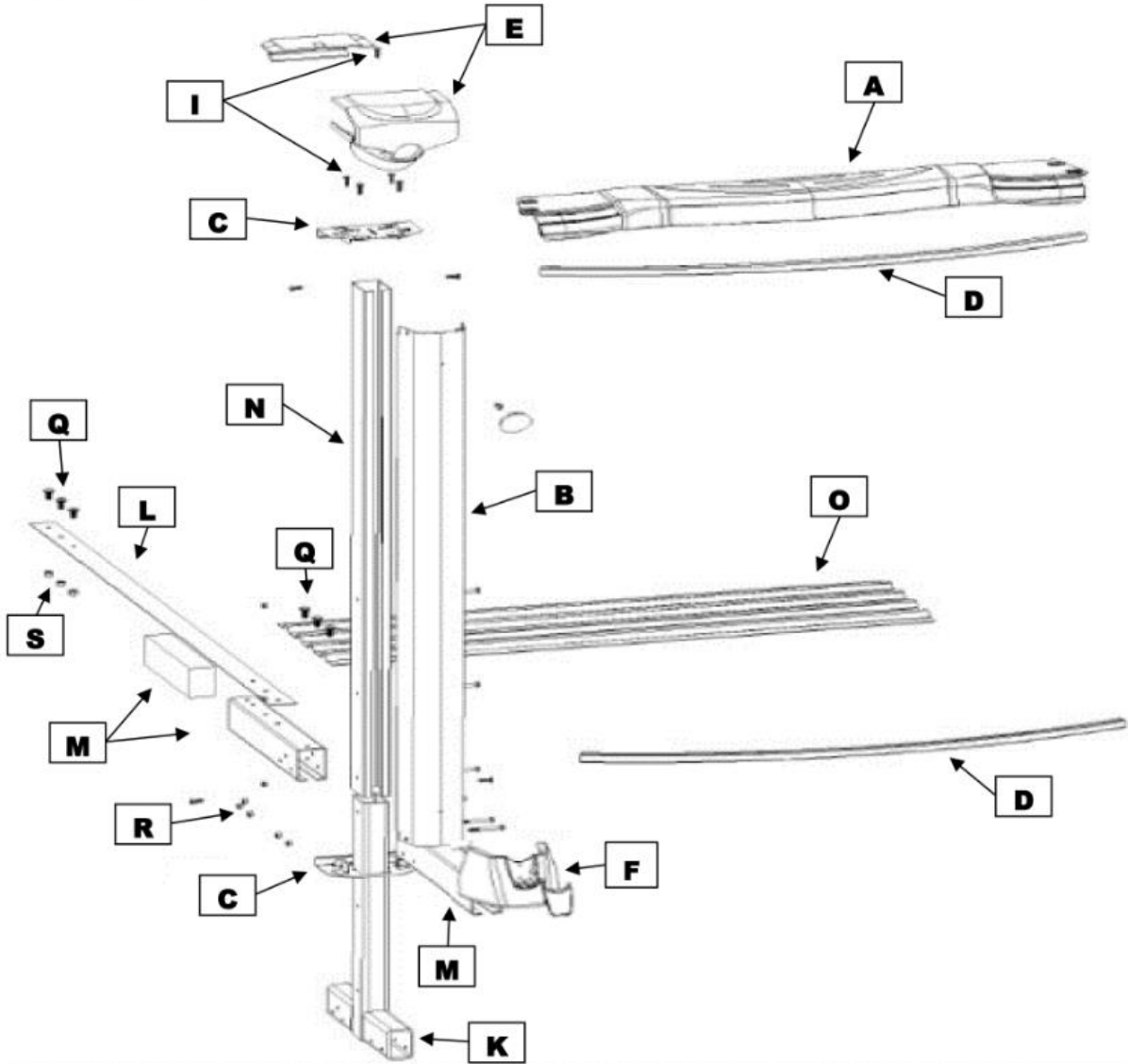
TEXT: 901-472-7797

EMAIL: support@royalswimmingpools.com

*Below items will contain no actual pool parts; just packaging/shipping materials

Qty	Part #	Part Description
2	BTE601718	BOX 60" X 17 1/2" X 18" TOP/BOTTOM 200BC PRINTED

MAGNUS OVAL 54"



CUSTOMER SUPPORT CAN BE REACHED AT ANY OF THE FOLLOWING:

CALL: 901-372-1773

TEXT: 901-472-7797

EMAIL: support@royalswimmingpools.com