



## Pool Breakdown

# SALTWATER ULTIMATE 15'x30' Oval54''

This first page lists the quantity, carton number, and carton description for each individual box and/or pallet in your shipment. Check that the numbers and descriptions on your checklist match identically to those on the cartons. Make sure that the pool type, model, shape, and size also line up perfectly. If something is off, even by one number, check to make sure that you have the correct checklist for your pool type and if so, contact our support team immediately at support@royalswimmingpools.com.

√	Qty	Carton Product Number #	Carton Content Description
<input type="checkbox"/>	1	67ST3115301833A	6/7 1530 1833 844 861 875
<input type="checkbox"/>	1	4547COMD861A	4/5 4/7 27D-1530 861 AZOR 54"
<input type="checkbox"/>	1	5720801-4	KIT 4 T UNIT PAINTED
<input type="checkbox"/>	1	5720801-6	KIT 6 T UNIT PAINTED
<input type="checkbox"/>	1	371530761861A	3/7 1530 761 861
<input type="checkbox"/>	1	771530761861A	7/7 1530 761 861 AZOR
<input type="checkbox"/>	1	<b>WFAL54S-WMS1530-0892</b>	WALL: FALLSTON 54" STEEL WM SS 1530

Once you have all of the cartons listed above, continue to the next page. There should be one table per carton and each carton should be gone through entirely before moving on to the next.

Please ensure that you have received the proper quantity for each item listed.

**DO NOT THROW CARTONS/BOXES AWAY UNTIL AFTER THE INSTALLATION IS COMPLETE. We recommend taking photos of all labels/stickers on the boxes.**

In the unlikely event that you are missing items, please refer to the document Inventory Checklist and Reporting Missing Items that was previously emailed to you.

Once you have ALL items listed on the entire inventory checklist, refer to your safety handbook and installation manual before you start the building process.

CUSTOMER SUPPORT CAN BE REACHED AT ANY OF THE FOLLOWING:

CALL: 901-372-1773

TEXT: 901-472-7797

EMAIL: support@royalswimmingpools.com



## Carton Breakdown

# SALTWATER ULTIMATE 15'x30' Oval54''

Carton Product Number #	Carton Content Description
4547COMD861A	4/5 4/7 27D-1530 861 AZOR 54"

√	Key #	Qty	Part #	Part Description
<input type="checkbox"/>	B	18	CG861-002-54	UPRIGHT RESIN RE 54" REVELATION 861

\*Below items will contain no actual pool parts; just packaging/shipping materials

Qty	Part #	Part Description
3	BTE572416	BOX TEL REVERSIBLE 57" X 24" X 16" 275C
3	CWI-4SEP038	SEPARATOR SHEET 52" 54 1/4 X 21 7/8
3	LN7822	SLEEVE 78" X 22"

---

Carton Product Number #	Carton Content Description
371530761861A	3/7 1530 761 861

√	Key #	Qty	Part #	Part Description
<input type="checkbox"/>	A	10	CG761-001-R	TOP LEDGE UNIV RESIN REVELATION 761 861
<input type="checkbox"/>	A	8	CG761-001-O	TOP LDG STRAIGHT RES REVELATION 761 861

\*Below items will contain no actual pool parts; just packaging/shipping materials

Qty	Part #	Part Description
2	BTE571914	BOX TEL 57" X 19" X 14"
2	LN7817	SLEEVE 78" X 17 1/2"

CUSTOMER SUPPORT CAN BE REACHED AT ANY OF THE FOLLOWING:

CALL: 901-372-1773

TEXT: 901-472-7797

EMAIL: support@royalswimmingpools.com

## Carton Breakdown

# SALTWATER ULTIMATE 15'x30' Oval54''

Carton Product Number #	Carton Content Description
67ST3115301833A	6/7 1530 1833 844 861 875

√	Key #	Qty	Part #	Part Description
<input type="checkbox"/>	N	10	20509	REINFORCEMENT PART GALV 52.875"
<input type="checkbox"/>	U	8	20809	BRACE PLATE BRACELESS GALVANISED 47.00"

\*Below items will contain no actual pool parts; just packaging/shipping materials

Qty	Part #	Part Description
2	BTE541904	BOX TEL REVERSIBLE 54-3/4 x 19-3/4 x 4 42BC

Carton Product Number #	Carton Content Description
5720801-4	KIT 4 T UNIT PAINTED

√	Key #	Qty	Part #	Part Description
<input type="checkbox"/>	M	4	1000100	STYROFOAM BLOCK FOR T UNIT
<input type="checkbox"/>	T	4	20801	T UNIT PAINTED

Carton Product Number #	Carton Content Description
5720801-6	KIT 6 T UNIT PAINTED

√	Key #	Qty	Part #	Part Description
<input type="checkbox"/>	M	6	1000100	STYROFOAM BLOCK FOR T UNIT
<input type="checkbox"/>	T	6	20801	T UNIT PAINTED

CUSTOMER SUPPORT CAN BE REACHED AT ANY OF THE FOLLOWING:

CALL: 901-372-1773

TEXT: 901-472-7797

EMAIL: support@royalswimmingpools.com



## Carton Breakdown

# SALTWATER ULTIMATE 15'x30' Oval54''

Carton Product Number #	Carton Content Description
771530761861A	7/7 1530 761 861 AZOR

√	Key #	Qty	Part #	Part Description
<input type="checkbox"/>	F	16	1514215	BOTTOM RAIL STR SIDE CHAMPAGNE 42.436"
<input type="checkbox"/>	F	16	1525515	BOTTOM RAIL 15' REGULAR CHAMPAGNE L 55-1/4"
<input type="checkbox"/>	*	1	SACRE1530	HARDWARE KIT 1530 REVELATION 761 861
<input type="checkbox"/>	*	1	SACSJF-6	HARDWARE KIT BRACELESS (6x"T")
<input type="checkbox"/>	D1	18	CG761-20852	BOTTOM PLATE RESIN COGNAC
<input type="checkbox"/>	D	18	CC761-20851	JOINER PLATE CACAO RESIN 761 861
<input type="checkbox"/>	M2	10	20802	HORIZONTAL SLEEVE GALVANIZED 17"
<input type="checkbox"/>	L	15	20560	STEEL STRAP GALVANIZED BRACELESS 59.750"
<input type="checkbox"/>	*	1	SACWBI36876	SAC DVD D`INSTALLATION TRENDIUM
<input type="checkbox"/>	*	1	SACSJF-4	HARDWARE KIT BRACELESS (4x"T")
<input type="checkbox"/>	M1	10	20810	HORIZONTAL SLEEVE GALV WITH PEN NUTS 17"
<input type="checkbox"/>	*	1	SACSVCC-18	BAG 18 RIGHT/LEFT COVER-LOGO/V CROWN 27-1530
<input type="checkbox"/>	F	4	1325315	RESIN TRANSITION TRACK CUT ONE END @ 54-1/8"

\*Below items will contain no actual pool parts; just packaging/shipping materials

Qty	Part #	Part Description
2	BTE601713	BOX 60" X 17 1/2" X 13 1/2" TOP/BOTTOM 200BC PRINTED

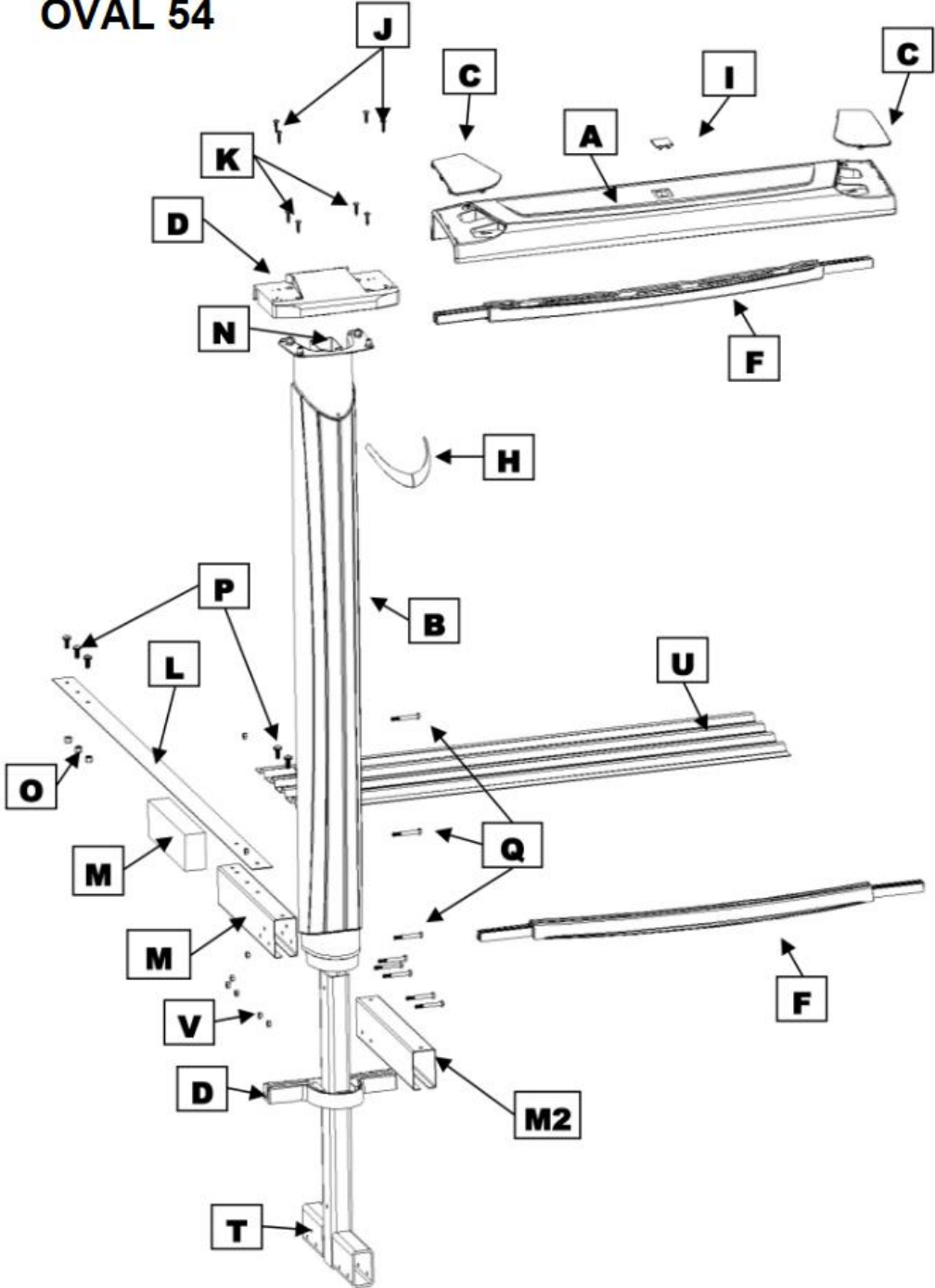
CUSTOMER SUPPORT CAN BE REACHED AT ANY OF THE FOLLOWING:

CALL: 901-372-1773

TEXT: 901-472-7797

EMAIL: support@royalswimmingpools.com

**SALTWATER  
ULTIMATE  
OVAL 54**



CUSTOMER SUPPORT CAN BE REACHED AT ANY OF THE FOLLOWING:  
 CALL: 901-372-1773  
 TEXT: 901-472-7797  
 EMAIL: [support@royalswimmingpools.com](mailto:support@royalswimmingpools.com)