



## Pool Breakdown

# SALTWATER DESTINY 12' ROUND 52"

This first page lists the quantity, carton number, and carton description for each individual box and/or pallet in your shipment. Check that the numbers and descriptions on your checklist match identically to those on the cartons. Make sure that the pool type, model, shape, and size also line up perfectly. If something is off, even by one number, check to make sure that you have the correct checklist for your pool type and if so, contact our support team immediately at [support@royalswimmingpools.com](mailto:support@royalswimmingpools.com).

√	Qty	Carton Product Number #	Carton Content Description
<input type="checkbox"/>	1	101001209380000	TOP RAIL 12' CHAMPAGNE BLUES
<input type="checkbox"/>	1	102001209380002	UPRIGHT 12' CHAMPAGNE BLUES 52"
<input type="checkbox"/>	1	WFST52S-WMN12-0453	WALL 12 TAMARA52

Once you have all of the cartons listed above, continue to the next page. There should be one table per carton and each carton should be gone through entirely before moving on to the next.

Please ensure that you have received the proper quantity for each item listed.

**DO NOT THROW CARTONS/BOXES AWAY UNTIL AFTER THE INSTALLATION IS COMPLETE. We recommend taking photos of all labels/stickers on the boxes.**

In the unlikely event that you are missing items, please refer to the document Inventory Checklist and Reporting Missing Items that was previously emailed to you.

Once you have ALL items listed on the entire inventory checklist, refer to your safety handbook and installation manual before you start the building process.

CUSTOMER SUPPORT CAN BE REACHED AT ANY OF THE FOLLOWING:

CALL: 901-372-1773

TEXT: 901-472-7797

EMAIL: [support@royalswimmingpools.com](mailto:support@royalswimmingpools.com)



## Carton Breakdown

# SALTWATER DESTINY 12' ROUND 52"

Carton # 101001209380000			TOP RAIL 12' CHAMPAGNE BLUES	
√	Key #	Qty	Part #	Part Description
<input type="checkbox"/>	B	8	CWI- 1081507000000	BOTTOM TRACK 15' CHAMPAGNE TRUE SIZE
<input type="checkbox"/>	A	8	CWI- 1071507160000	TOP TRACK 15' CHAMPAGNE UNIVERSAL
<input type="checkbox"/>	G	8	CWI- 10109360010	TOP SEAT CREATION CHAMPAGNE 12'

\*Below items will contain no actual pool parts; just packaging/shipping materials

Qty	Part #	Part Description
2	BTE572110	BOX TEL REVERSIBLE 57-1/4 X 21-3/8 X 10 275C

CUSTOMER SUPPORT CAN BE REACHED AT ANY OF THE FOLLOWING:

CALL: 901-372-1773

TEXT: 901-472-7797

EMAIL: support@royalswimmingpools.com

## Carton Breakdown

# SALTWATER DESTINY 12' ROUND 52"

Carton # 102001209380002		UPRIGHT 12' CHAMPAGNE BLUES 52"		
√	Key #	Qty	Part #	Part Description
<input type="checkbox"/>	*	1	CWI-1051200380	HWARE 12' BLUES
<input type="checkbox"/>	E	8	CWI-11207100000	BOTTOM PLATE ALLEGRO SAND 2007
<input type="checkbox"/>	H1	8	CWI-1030009Q00	SEAT CAP CHAMPAGNE JAZZ OUTER
<input type="checkbox"/>	*	1	SACWBI36875	SAC DVD D`INSTALLATION AQUALEADER
<input type="checkbox"/>	H2	8	CWI-1030009Q10	SEAT CAP CHAMPAGNE JAZZ INNER
<input type="checkbox"/>	I	16	CWI-6ADP10900A00	UPRIGHT ADAPTOR ALL/CON
<input type="checkbox"/>	F	8	CWI-1020009Q52	UPRIGHT CHAMPAGNE JAZZ 52"

\*Below items will contain no actual pool parts; just packaging/shipping materials

Qty	Part #	Part Description
2	BTE572110	BOX TEL REVERSIBLE 57-1/4 X 21-3/8 X 10 275C
2	CWI-4SEP107	SEPARATOR ILL2000 45 5/8 X 14 3/
2	CWI-4SEP038	SEPARATOR SHEET 52" 54 1/4 X 21 7/8

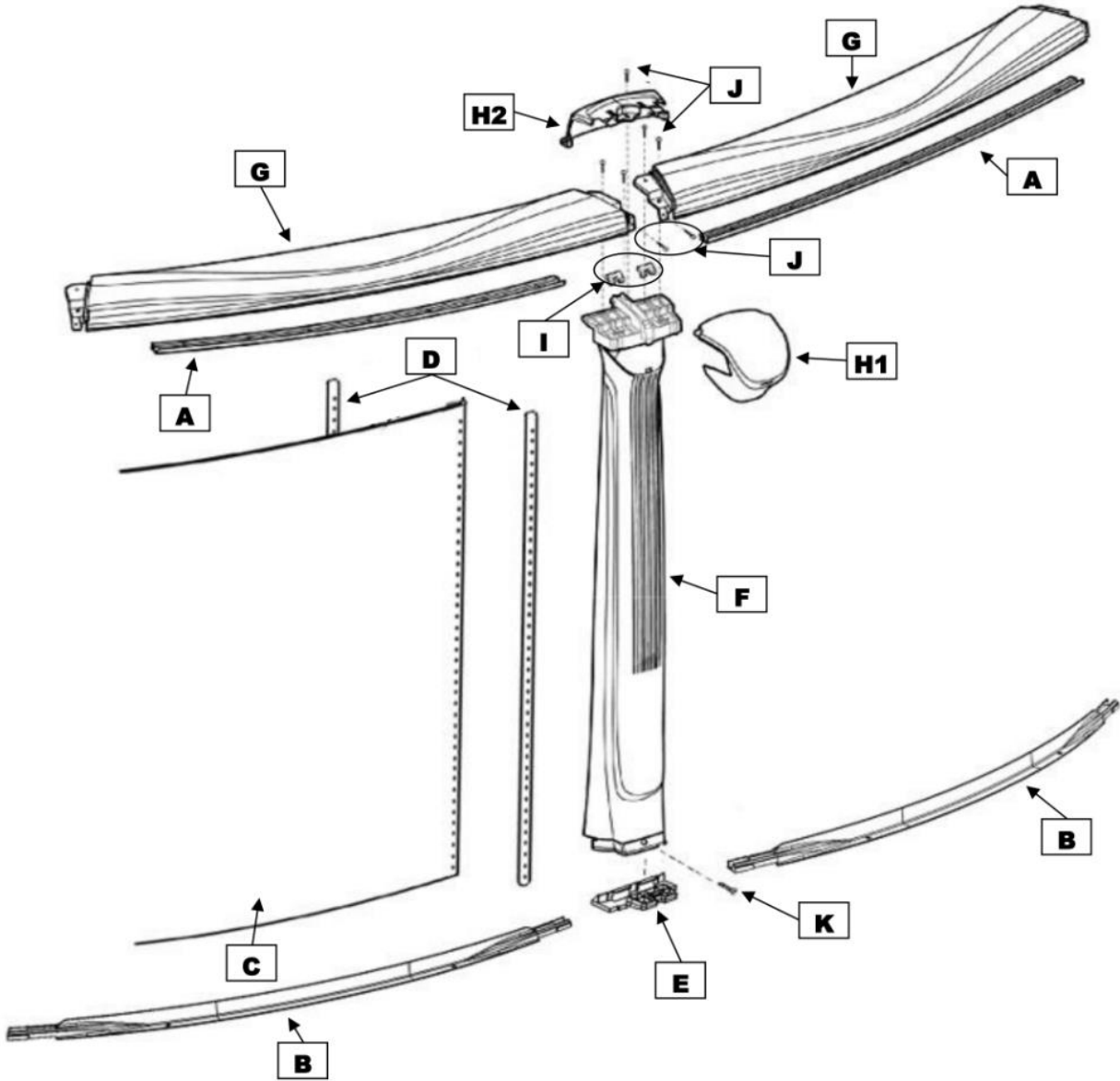
CUSTOMER SUPPORT CAN BE REACHED AT ANY OF THE FOLLOWING:

CALL: 901-372-1773

TEXT: 901-472-7797

EMAIL: support@royalswimmingpools.com

**SALTWATER DESTINY  
52 ROUND**



CUSTOMER SUPPORT CAN BE REACHED AT ANY OF THE FOLLOWING:  
CALL: 901-372-1773  
TEXT: 901-472-7797  
EMAIL: [support@royalswimmingpools.com](mailto:support@royalswimmingpools.com)