

## Pool Breakdown

# Bermuda 12'x24' Oval 54" NB1257

<p><b><u>FEATURES:</u></b>  Oval  Size: 12x24q  Depth: 54+  Limited Lifetime Warranty</p>	<p><b><u>STRUCTURE COMPOSITION:</u></b>  Aluminum top rails  Aluminum uprights  Aluminum bottom rails  Aluminum square stabilizers  Resin bottom plates</p>
---	---

	Qty	Carton #	Carton Content Description
<input type="checkbox"/>	1	<b>CXOAS1224-AARJ1</b>	BERMUDA . STABILIZER-ALUMINUM; BOTTOM RAIL-ALUMINUM; PLASTIC COPING; TOP COVER; TOP PLATE
<input type="checkbox"/>	1	<b>CROASUA54-12</b>	BERMUDA . 54+UPRIGHT CURVED SIDE-ALUMINUM
<input type="checkbox"/>	1	<b>CROAS12TA-10</b>	BERMUDA . TOP RAIL-ALUMINUM
<input type="checkbox"/>	1	<b>CVOASTA-08</b>	BERMUDA . OVAL PARTS; TOP RAIL-ALUMINUM
<input type="checkbox"/>	1	<b>CVOASVA54-06</b>	BERMUDA . 54+PLASTIC COPING; UPRIGHT STRAIGHT SIDE-ALUMINUM
<input type="checkbox"/>	1	<b>CVSTRAP12-06</b>	UNIVERSAL . OVAL PARTS; STRAP
<input type="checkbox"/>	1	<b>CVUCGDSD-0202</b>	UNIVERSAL . OVAL PARTS; STRAIGHT SIDE PARTS
<input type="checkbox"/>	1	<b>CVUCGDSD-0404</b>	UNIVERSAL . OVAL PARTS; STRAIGHT SIDE PARTS
<input type="checkbox"/>	1	<b>CW54R-28</b>	UNIVERSAL . RAW EXTRUCTIONS
<input type="checkbox"/>	1	<b>CW54RB-8804</b>	UNIVERSAL . RAW EXTRUCTIONS; WALL COILS & SLATS PAINTED
<input type="checkbox"/>	1	<b>CW54RB-4714B</b>	UNIVERSAL . WALL/52 SLAT TPE INTREPID; SKIMMER GASKET; RAW EXTRUCTIONS; WALL COILS & SLATS PAINTED

## Carton Breakdown

# Bermuda 12'x24' Oval 54" NB1257

Key #	Qty	Item #	Mfg Part #	Part Description	
<b>FRAME CARTON # CXOAS1224-AARJ1</b>					
<input type="checkbox"/>	1	10	NBP3302	38053	TOP TRACK EXT - SLAT WALL 56+R 32-7/8+
<input type="checkbox"/>	1	4	NBP3307	38059	TOP TRACK EXT - SLAT WALL 90+R 35-1/4+
<input type="checkbox"/>	1	4	NBP3308	38060	TOP TRACK EXT - SLAT WALL 90+R 36-1/2+
<input type="checkbox"/>	1	8	NBP3311	38063	TOP TRACK EXT - SLAT WALL 90+R 37-1/2+
<input type="checkbox"/>	2	8	NBP3011	22630	BOTTOM RAIL ALUM SLAT WALL 90+R 37-1/2+
<input type="checkbox"/>	2	10	NBP3301	38052	BOTTOM RAIL EXT - SLAT WALL 56+R 38+
<input type="checkbox"/>	2	4	NBP3309	38061	BOTTOM RAIL EXT - SLAT WALL 90+R 39-1/8+
<input type="checkbox"/>	3	12	NBP3103	16298	TOP PLATE 6.5+LYR
<input type="checkbox"/>	7	16	NBP3013	22650	BEADED LINER TRACK SLAT WALL 49+NOTCHED
<input type="checkbox"/>	8	12	NBP3110	27117	TC 8" MOSAIC BOOT CVD ONLY (ANT/LYR) LX
<input type="checkbox"/>	9	18	NBP3104	16300	TC 8+MOSAIC SML 1/2 INNER
<input type="checkbox"/>	10	12	NBP3105	16301	TC 8+MOSAIC LG 1/2 OUTER CVD (ANT/LYR)
<input type="checkbox"/>	10	6	NBP3106	16302	TC 8+MOSAIC LG 1/2 OUTER STR (ANT/LYR)
<input type="checkbox"/>	11	36	NBP3107	16305	ACCENT CLIP PUMICE RESIN 3-EA UR (LYR)
<input type="checkbox"/>	12	12	NBP3108	16356	ACCENT CLIP PUMICE RESIN LARGE BOOT (LYR)
<input type="checkbox"/>	13	6	NBP3159	10136	TOP PLATE 4+OVAL
<input type="checkbox"/>	---	1	NBP3003	16680	HARDWARE SS ESC/SLS/SIL/ELA/EQU 1224/1526
<input type="checkbox"/>	---	1	-----	95-0007	ENVELOPES SAFETY COMPLETE
<input type="checkbox"/>	---	1	-----	95-0725	SHARKLINE WARRANTY DIAMOND SERIES BLUE
<input type="checkbox"/>	---	1	-----	95-0444	INSTR WRAP AROUND & YARDMORE BLANK OVAL
<input type="checkbox"/>	---	1	-----	95-0735	INSTRUCTION INSTALL SLAT WALL POOL YM OVAL

## Carton Breakdown

# Bermuda 12'x24' Oval 54''

## NB1257

Key #	Qty	Item #	Mfg Part #	Part Description	
<b>UPRIGHT CARTON # CROASUA54-12</b>					
<input type="checkbox"/>	5	12	NBP3032	29799	UR 6.5" TAUPE ALUM 53-13/16+OAS/NAV
<b>TOPRAIL CARTON # CROAS12TA-10</b>					
<input type="checkbox"/>	6	10	NBP3033	29801	TR 8" TAUPE ALUM OAS/NAV 12q40-3/32+
<b>TOPRAIL CARTON # CVOASTA-08</b>					
<input type="checkbox"/>	6	8	NBP3037	29805	TR 8" TAUPE ALUM OAS/NAV STR SD 41-1/4+
<input type="checkbox"/>	21	6	NBP3164	16549	PRESSURE PLATE (44+)
<b>FRAME CARTON # CROASVA54-06</b>					
<input type="checkbox"/>	14	6	NBP3020	26340	WRAP UR OVAL TAUPE ALUM 53-13/16+
<input type="checkbox"/>	24	6	NBP3113	29917	OVAL CHANNEL FOAM BLOCK 2 X 4 X 4-1/8
<b>FRAME CARTON # CVUCGDSD-0202</b>					
<input type="checkbox"/>	15	2	NBP3004	17865	YARDMORE GUSSET LEFT DESERT SAND (STEEL)
<input type="checkbox"/>	16	2	NBP3005	17866	YARDMORE GUSSET RIGHT DESERT SAND (STEEL)
<input type="checkbox"/>	19	2	NBP3161	15933	UNDER CHANNEL YARDMORE 45-9/16+
<input type="checkbox"/>	20	1	NBP3111	16722	HARDWARE SS ADD PACK YM (2 UPRIGHT) 1224/1526
<b>FRAME CARTON # CVUCGDSD-0404</b>					
<input type="checkbox"/>	15	4	NBP3004	17865	YARDMORE GUSSET LEFT DESERT SAND (STEEL)
<input type="checkbox"/>	16	4	NBP3005	17866	YARDMORE GUSSET RIGHT DESERT SAND (STEEL)
<input type="checkbox"/>	19	4	NBP3161	15933	UNDER CHANNEL YARDMORE 45-9/16+
<input type="checkbox"/>	20	1	NBP3165	16720	HARDWARE SS BASE PACK YM (4 UPRIGHTS)

## Carton Breakdown

# Bermuda 12'x24' Oval 54''

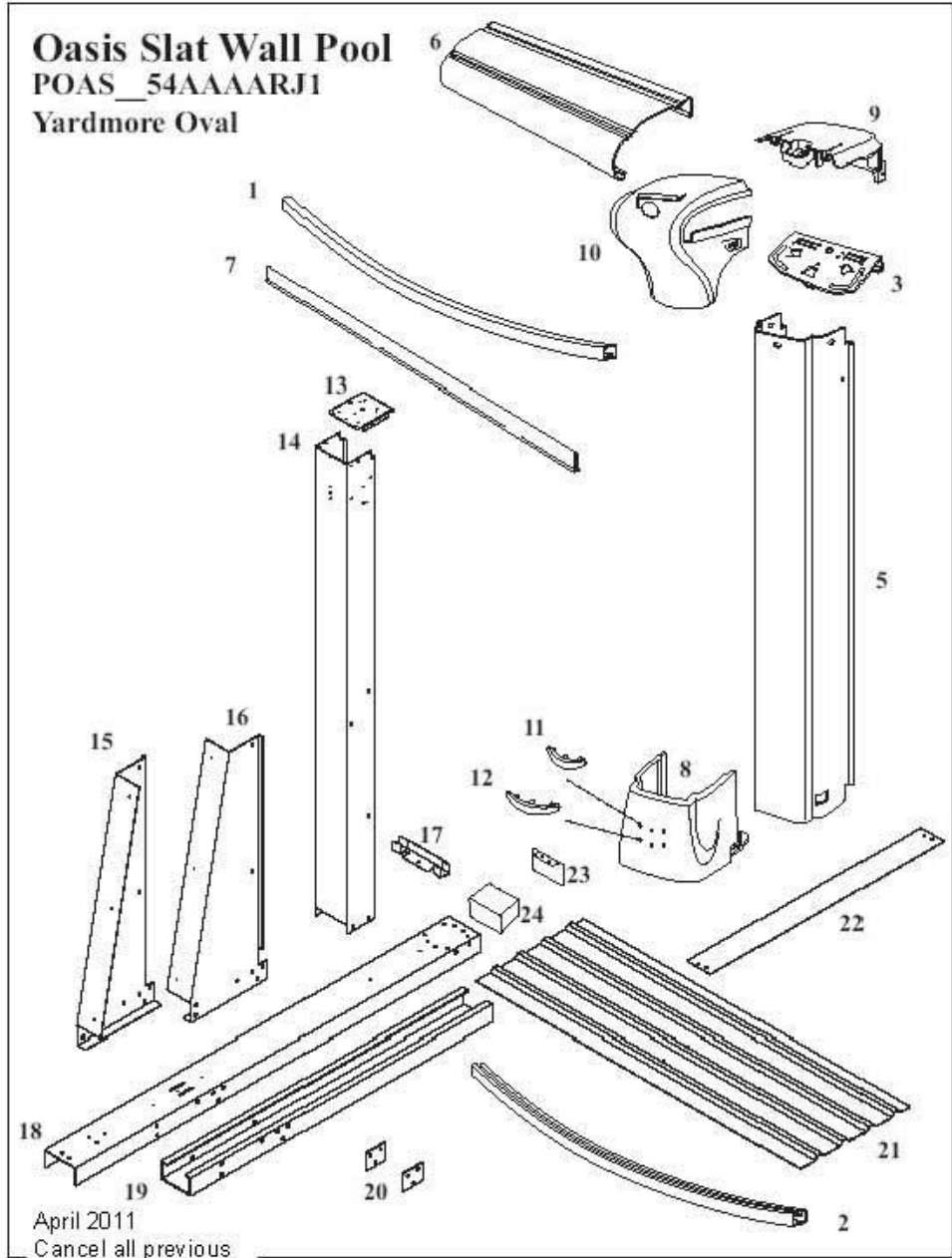
## NB1257

Key #	Qty	Item #	Mfg Part #	Part Description	
<b>FRAME CARTON # CVSTRAP12-06</b>					
<input type="checkbox"/>	17	6	NBP3163	16542	CONNECTOR BTM RAIL STR SIDE STEEL
<input type="checkbox"/>	18	6	NBP3162	16539	STRAP OVER CHANNEL 2" TALL X 52-3/8"
<input type="checkbox"/>	22	6	NBP3109	16724	STRAP SECTION 41-1/16" (FOR 12')
<input type="checkbox"/>	23	6	NBP3168	22726	OVAL CHANNEL END CAP
<b>WALL CARTON # CW54R-28</b>					
<input type="checkbox"/>	A	28	NBP3028	26513	REGULAR SLAT OASIS TAUPE 54+(53-5/8+)
<b>WALL CARTON # CW54RB-8804</b>					
<input type="checkbox"/>	A	88	NBP3028	26513	REGULAR SLAT OASIS TAUPE 54+(53-5/8+)
<input type="checkbox"/>	D	4	NBP3029	26515	BEAM SLAT OASIS TAUPE 54+(53-5/8+)
<b>WALL CARTON # CW54RB-4714B</b>					
<input type="checkbox"/>	A	47	NBP3028	26513	REGULAR SLAT OASIS TAUPE 54+(53-5/8+)
<input type="checkbox"/>	B	1	NBP3021	26341	SKIMMER SLAT OASIS TAUPE 54+(53-5/8+)
<input type="checkbox"/>	C	1	NBP3022	26342	RETURN SLAT OASIS TAUPE 54+(53-5/8+)
<input type="checkbox"/>	D	14	NBP3029	26515	BEAM SLAT OASIS TAUPE 54+(53-5/8+)
<input type="checkbox"/>	---	1	NBP3324	89123	WALL/54 SLAT INTREPID 10 PACK

Key #	Part Description	Item #
1	Top Track, 56+R 32-7/8+	NBP3302
1	Top Track, 90+R 35-1/4+	NBP3307
1	Top Track, 90+R 36-1/2+	NBP3308
1	Top Track, 90+R 37-1/2+	NBP3311
2	Bottom Rail, 90+R 37-1/2+	NPB3011
2	Bottom Rail, 56+R 38+	NPB3301
2	Bottom Rail, 90+R 39-1/8+	NPB3309
3	Top Plate	NBP3103
5	Upright	NBP3032
6	Top Rail	NBP3033
6	Top Rail, Straight Side	NBP3037
7	Coping	NBP3013
8	Top Cover Boot	NBP3110
9	Top Cover, Inner	NBP3104
10	Top Cover, Outer Curved	NBP3105
10	Top Cover, Outer Straight	NBP3106
11	Accent Clip	NBP3107
12	Accent Clip, Lrg Boot	NBP3108
13	Top Plate	NBP3159
14	Upright, Oval	NBP3020
15	Left Gusset	NBP3004
16	Right Gusset	NBP3005
17	Bottom Rail Connector, Straight Side	NBP3163
18	Strap Over Channel	NBP3162
19	Under Channel	NBP3161
20	Hardware, 2 Uprights	NPB3111
20	Hardware, 4 Uprights	NPB3165
21	Pressure Plate	NPB3164
22	Strap Section	NBP3109
23	Oval Channel End Cap	NBP3168
24	Oval Channel Foam Block	NBP3113
---	Hardware	NBP3003
---	54+Slat Wall System	See Next Page

# Bermuda 12'x24' Oval 54"

## NB1257

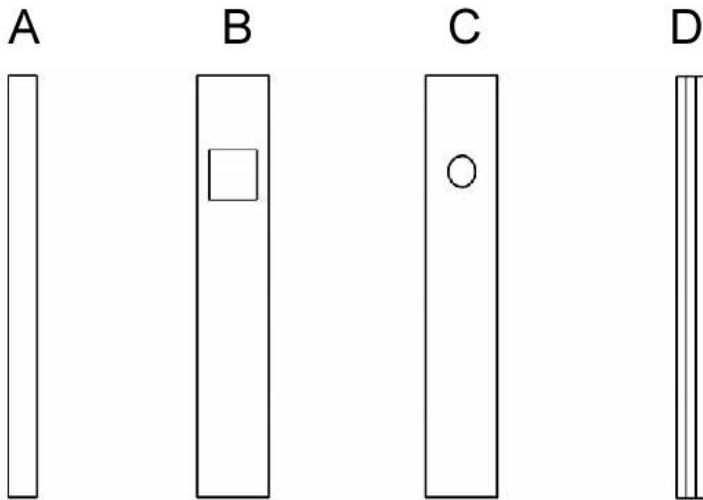


# Bermuda 12'x24' Oval 54''

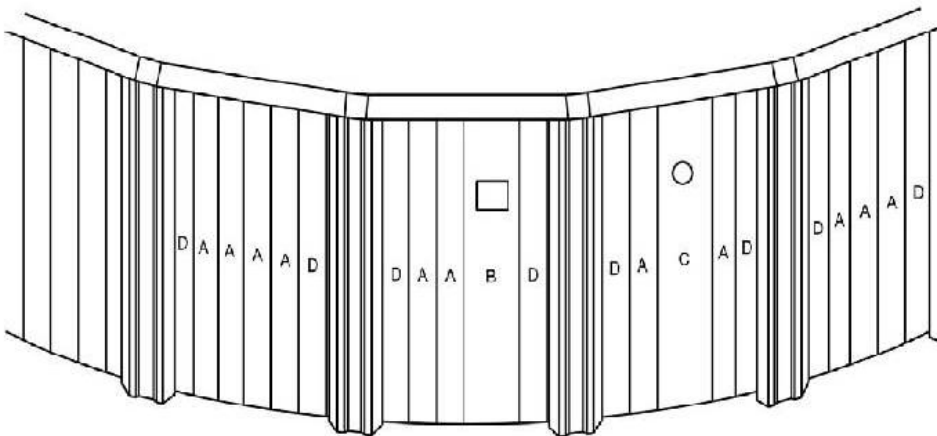
## NB1257

The Slat Wall system of this pool features 4 different style aluminum panels that are assembled together to complete the wall of the pool.

See Slat Wall Pool System Instruction Manual for additional detail on assembly.



Key #	Part Description	Item #
A	Regular Wall Slat	NBP3028
B	Skimmer Wall Slat	NPB3021
C	Return Wall Slat	NBP3022
D	Beam Wall Slat	NBP3029
---	Slat Intrepid 10 Pk	NBP3324



- A is a regular slat  
- C is a return slat

- B is a skimmer slat  
- D is a beam slat