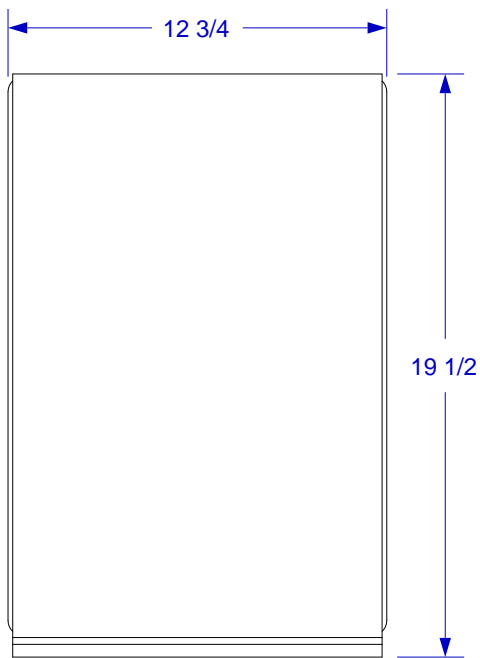


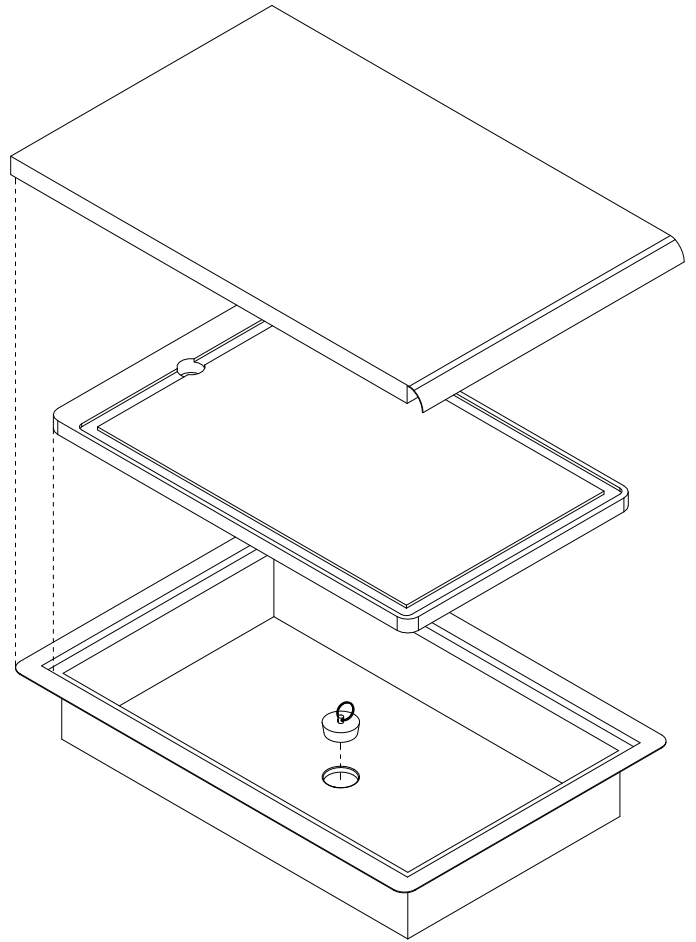


# CHOPPING BLOCK

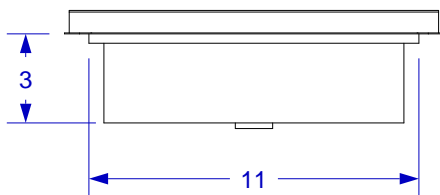
## SPEC SHEET



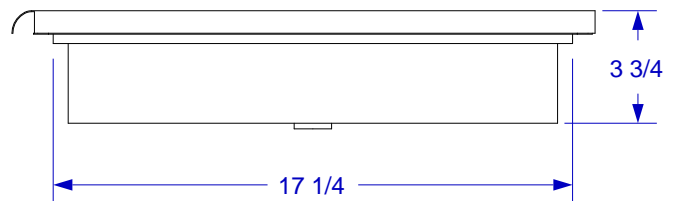
TOP VIEW



ISOMETRIC VIEW



FRONT VIEW



RIGHT SIDE VIEW

**NOTES:**

1. CUTOUT DIMENSIONS: 11 1/4"W X 17 1/2"L X 3 1/4"D

2. SCALE: 1 7/8" = 1'-0"

3. REVISION: 10/2009