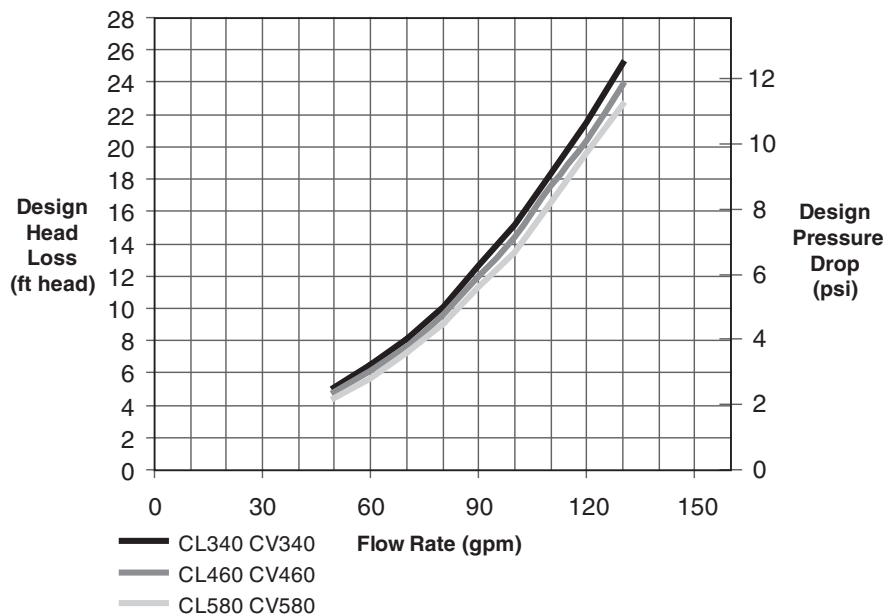




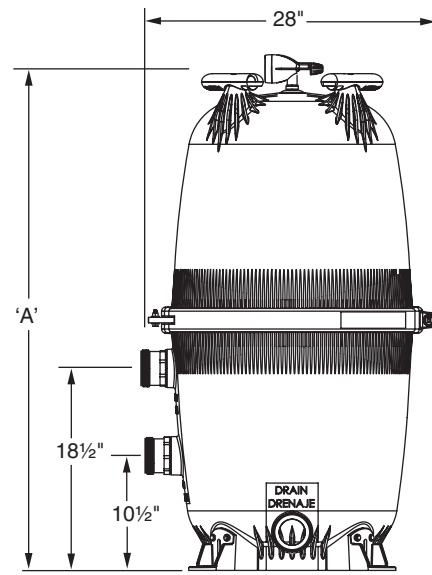
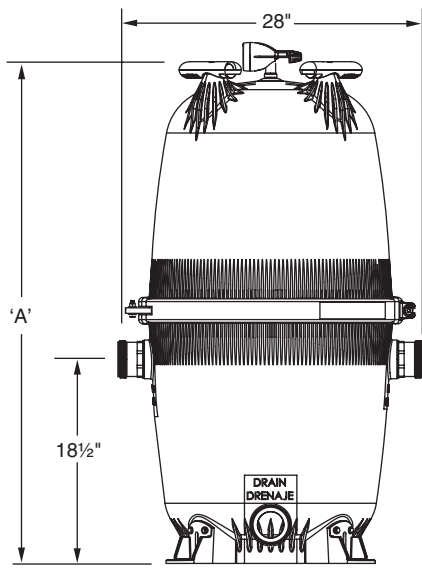
| Part No. | Description         | Size        |
|----------|---------------------|-------------|
| CV340    | CV Cartridge Filter | 340 Sq. Ft. |
| CV460    | CV Cartridge Filter | 460 Sq. Ft. |
| CV580    | CV Cartridge Filter | 580 Sq. Ft. |

| Part No. | Description         | Size        |
|----------|---------------------|-------------|
| CL340    | CL Cartridge Filter | 340 Sq. Ft. |
| CL460    | CL Cartridge Filter | 460 Sq. Ft. |
| CL580    | CL Cartridge Filter | 580 Sq. Ft. |

**CV/CL Filter Head Loss Curves**



## CV/CL Filter Specifications



| Specifications and Dimensions, CV Series Filters |                            |                             |                             |
|--|----------------------------|-----------------------------|-----------------------------|
| Model No.  | CV340                      | CV460                       | CV580                       |
| Filter Area                                      | 340 ft <sup>2</sup>        | 460 ft <sup>2</sup>         | 580 ft <sup>2</sup>         |
| Design Flow Rate                                 | .37 gpm/ft <sup>2</sup>    | .33 gpm/ft <sup>2</sup>     | .26 gpm/ft <sup>2</sup>     |
| Maximum Flow                                     | 127 gpm                    | 150 gpm                     | 150 gpm                     |
| Six (6) Hour Capacity                            | 45,720 gallons             | 54,000 gallons              | 54,000 gallons              |
| Eight (8) Hour Capacity                          | 60,960 gallons             | 72,000 gallons              | 72,000 gallons              |
| Maximum Working Pressure                         | 50 psi                     | 50 psi                      | 50 psi                      |
| Cartridges Required                              | 4 (85ft <sup>2</sup> each) | 4 (115ft <sup>2</sup> each) | 4 (145ft <sup>2</sup> each) |
| Shipping Weight                                  | 106 lbs.                   | 106 lbs.                    | 112 lbs.                    |
| Height ('A')                                     | 41"                        | 41"                         | 47"                         |
| Footprint  | 25" diameter circle        | 25" diameter circle         | 25" diameter circle         |

| Specifications and Dimensions, CL Series Filters |                            |                             |                             |
|--|----------------------------|-----------------------------|-----------------------------|
| Model No.  | CL340                      | CL460                       | CL580                       |
| Filter Area                                      | 340 ft <sup>2</sup>        | 460 ft <sup>2</sup>         | 580 ft <sup>2</sup>         |
| Design Flow Rate                                 | .37 gpm/ft <sup>2</sup>    | .33 gpm/ft <sup>2</sup>     | .26 gpm/ft <sup>2</sup>     |
| Maximum Flow                                     | 127 gpm                    | 150 gpm                     | 150 gpm                     |
| Six (6) Hour Capacity                            | 45,720 gallons             | 54,000 gallons              | 54,000 gallons              |
| Eight (8) Hour Capacity                          | 60,960 gallons             | 72,000 gallons              | 72,000 gallons              |
| Maximum Working Pressure                         | 50 psi                     | 50 psi                      | 50 psi                      |
| Cartridges Required                              | 4 (85ft <sup>2</sup> each) | 4 (115ft <sup>2</sup> each) | 4 (145ft <sup>2</sup> each) |
| Shipping Weight                                  | 93 lbs.                    | 95 lbs.                     | 101 lbs.                    |
| Height ('A')                                     | 41"                        | 41"                         | 47"                         |
| Footprint  | 25" diameter circle        | 25" diameter circle         | 25" diameter circle         |
| Distance Between Inlet and Outlet                | 8 1/2"                     | 8 1/2"                      | 8 1/2"                      |