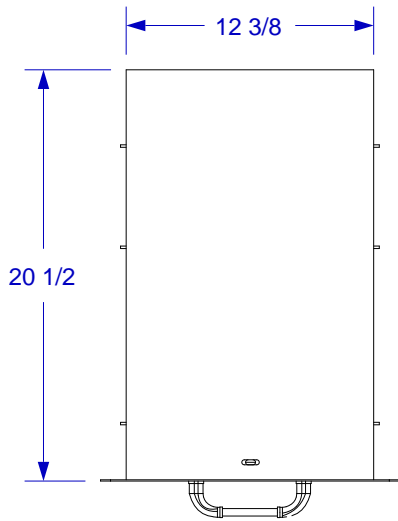


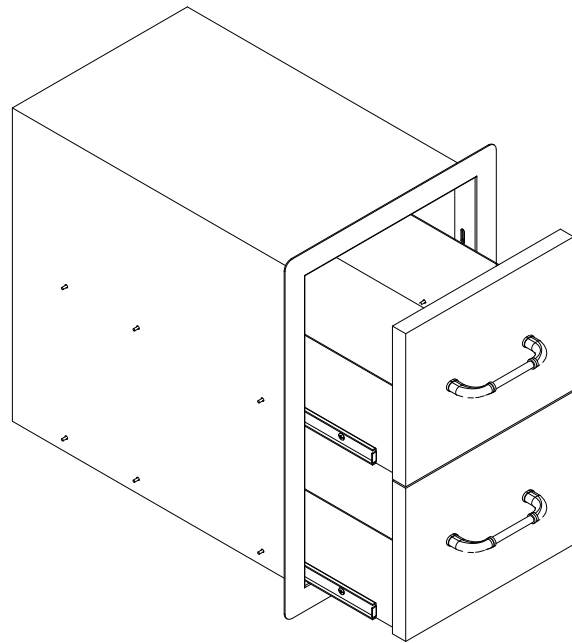


DOUBLE DRAWERS

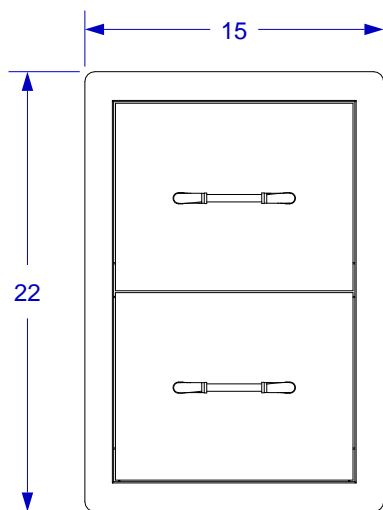
SPEC SHEET



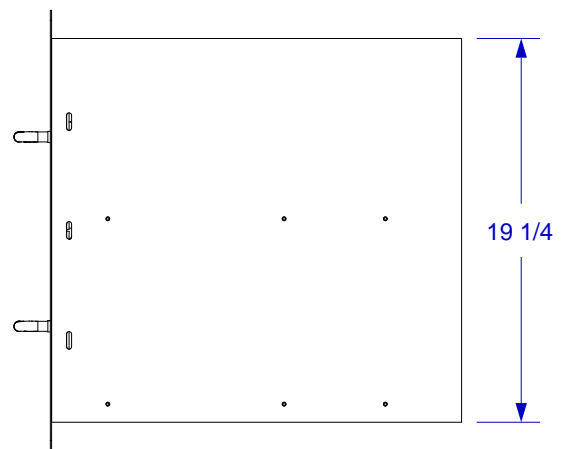
TOP VIEW



ISOMETRIC VIEW



FRONT VIEW



RIGHT SIDE VIEW

NOTES:

1. CUTOUT DIMENSIONS: 12 3/4" W X 19 1/2" L X 20 3/4" D

2. SCALE: 1 1/4" = 1'-0"

3. REVISION: 10/2009