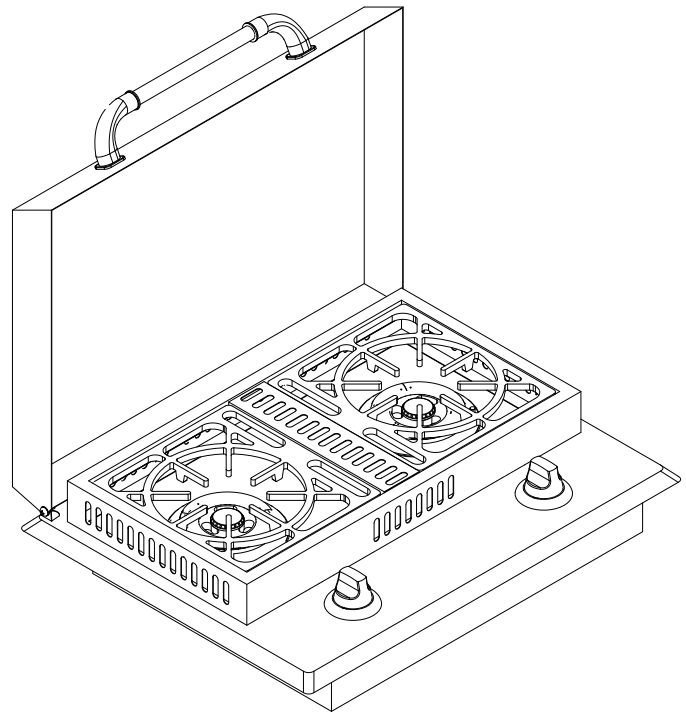


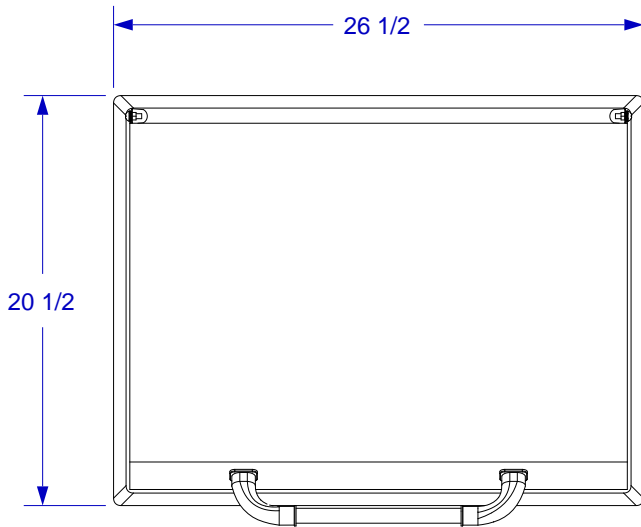


DOUBLE SIDEBURNER

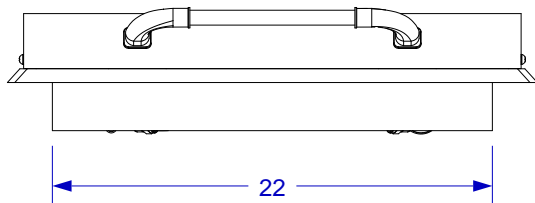
SPEC SHEET



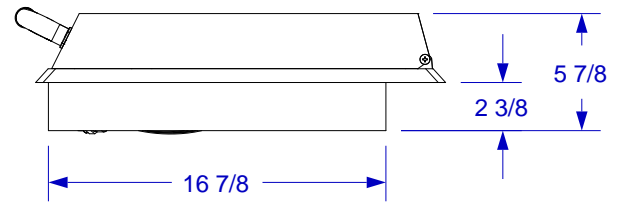
ISOMETRIC VIEW



TOP VIEW



FRONT VIEW



RIGHT SIDE VIEW

NOTES:

1. CUTOUT DIMENSIONS: 22 3/8" W X 17 1/8" L X 2 1/2" D

2. SCALE: 1 1/4" = 1'-0"

3. REVISION: 10/2009