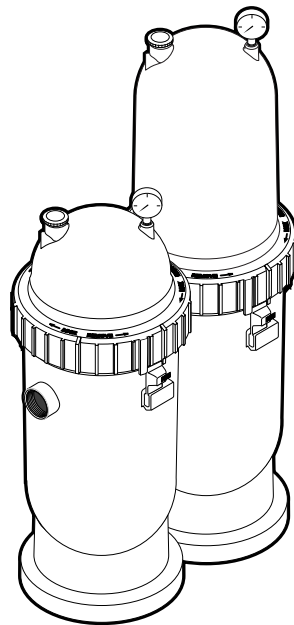


STA-RITE®

Posi Clear™ Cartridge Filters Models PXC75, PXC95, PXC125 and PXC150

O W N E R ' S M A N U A L



INSTALLATION, OPERATION & PARTS

E
N
G
L
I
S
H

F
R
A
N
Ç
A
I
S

E
S
P
A
Ñ
O
L



This manual should be furnished to the end user of this filter; its use will reduce service calls and chance of injury and will lengthen filter life.

Sta-Rite Pool/Spa Group

293 Wright Street, Delavan, WI 53115

International: 262-728-5551, FAX: 262-728-7550

www.starite.com

Union City, TN • Delavan, WI • Mississauga, Ont. • Murrieta, CA

© 2003, Sta-Rite Industries, Inc.

Printed in U.S.A.

S620 (Rev. 9/19/03)

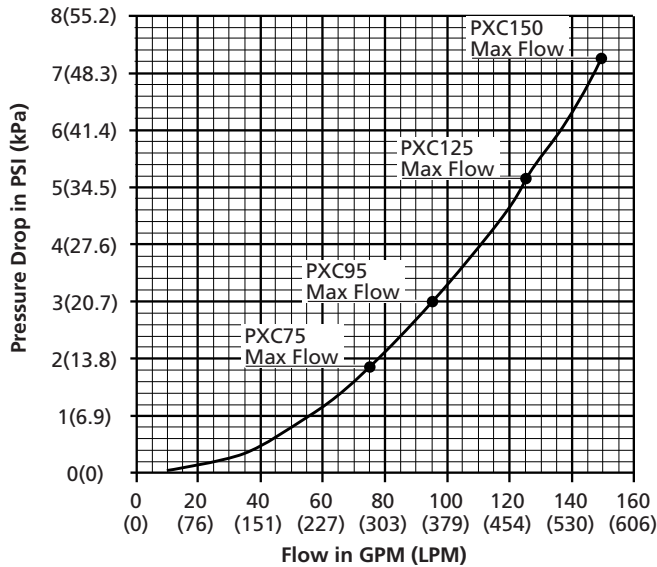
Table of Contents

Specifications	2
Safety Instructions	3
General Information	3
Installation	4
Initial Startup	4
Filter Disassembly / Assembly	5
Cartridge Cleaning Procedure	6
System Inspection/Winterizing	6
Troubleshooting Guide	7
Repair Parts List	8
Warranty.....	9

SPECIFICATIONS

Table 1 - Filter Dimensions in inches (mm)

Dimension	Model No.	
	PXC75 PXC95	PXC125 PXC150
A	36 (914)	51 (1,295)
B	31 (787)	40 (1,016)



Pressure Drop Curve for all PXC Models.

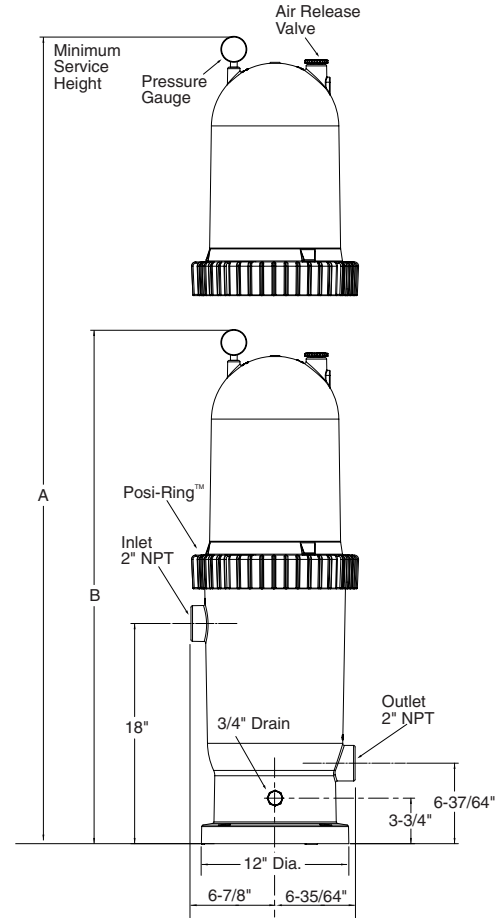



FIGURE 1 – Dimensions in inches (mm)


Table 2 - Filter Specifications


	Model No.			
	PXC75	PXC95	PXC125	PXC150
Filter Area sq. ft. (m ²)	75 (6.96)	95 (8.8)	125 (11.6)	150 (13.9)
Max. Residential Flow Rate GPM (LPM)*	75 (284)	95 (360)	125 (473)	150 (568)
Max. Public Pool Flow Rate GPM (LPM)	28 (106)	36 (132)	47 (177)	56 (212)
Max. Operating Pressure PSI (kPa)	50 (345)	50 (345)	50 (345)	50 (345)
Max. Continuous Water Temperature F(C)	104° (40°)	104° (40°)	104° (40°)	104° (40°)


* NSF listing is for public pool flow rates only.

READ AND FOLLOW SAFETY INSTRUCTIONS!

 **This is the safety alert symbol. When you see this symbol on your filter or in this manual, look for one of the following signal words and be alert to the potential for personal injury.**

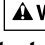
 **DANGER** warns about hazards that **will** cause death, serious personal injury, or major property damage if ignored.


 **WARNING** warns about hazards that **can** cause death, serious personal injury, or major property damage if ignored.


 **CAUTION** warns about hazards that **will** or **can** cause minor personal injury or property damage if ignored.


NOTICE indicates special instructions not related to hazards.


Carefully read and follow all safety instructions in this manual and on equipment. Keep safety labels in good condition; replace if missing or damaged.


 **WARNING** **Hazardous Pressure. Incorrectly installed or tested equipment may explode, causing severe injury or property damage.** Read and follow instructions in owner's manual when installing and operating equipment. Have a trained pool professional perform all pressure tests.

 Do not connect filter to compressed air under any circumstances.

 Do not connect system to a city water system or other external source of pressurized water.

 Do not connect filter to pumps capable of exceeding 50 PSI (345 kPa) maximum pressure.

 Open air release valve to vent all air from system before operating the system.

 **WARNING** **Risk of falls and injury.** Filter surface is slippery. Do not allow children to stand or play on filter.

GENERAL INFORMATION

When to Clean the Filter: The filter cartridge should normally be cleaned when the pressure gauge reading increases 10 PSI over the start-up pressure.

In some pools, accessories such as fountains or pool cleaners may be noticeably affected by the normal decrease in flow as the filter becomes dirty. If so, clean the filter more frequently (that is, at a pressure increase of less than 10 PSI) in order to maintain the required flow.

Clean a new pool as well as possible before filling pool and operating filter.

A typical pool installation will require approximately one week to obtain and maintain the sparkle that your filter is capable of giving you.

Maximum pressure is 50 PSI (345 kPa). **DO NOT** connect the filter to a city water system or to an individual water well system.

The Sta-Rite cartridge filter is designed to filter water for swimming pools and hot tubs only. On a new installation, we recommend:

1. Disassemble the filter after the initial cleanup. Follow "Filter Disassembly/Assembly Procedure" on Page 5.
2. Remove and hose down the cartridge to remove contaminants.

Maintain pool water pH between 7.2 and 7.6.

Make sure that the Posi-Ring™ is securely locked in place before operating filter.

Maintain the pressure gauge in good working order.

Replace a damaged gauge immediately.

Cleaning interval is based on pressure rise, not on the length of time the filter is operated. Different water conditions will have different normal cleaning intervals.

NOTICE: Some pool disinfectants may clog the filter cartridge. To maximize cartridge life and filter cycle time, closely follow the disinfectant manufacturer's instructions when cleaning pool or filter. Failure to follow these instructions may affect warranty coverage of the cartridge.

INSTALLATION

Filter mount must:

- Provide weather and freezing protection.
- Provide space and lighting for easy access for routine maintenance. (See Figure 1 for space requirements.)
- Provide ventilation and drainage for pump.
- Be on a reasonably level surface and provide adequate drainage.

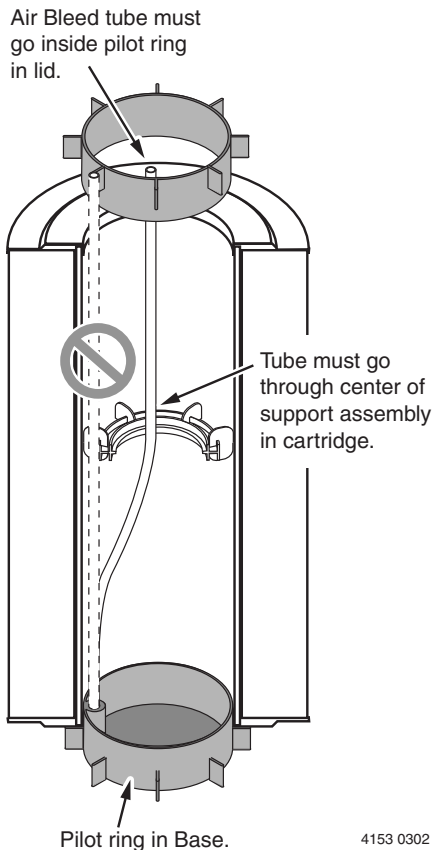


FIGURE 2 – Assemble Air Bleed Tube as shown.

Piping:

NOTICE: Make sure that the filter and all piping can be drained for winterizing. See “Winterizing”, Page 6.

NOTICE: Overtightening can crack filter ports.

Use teflon tape, Plasto-Joint Stik^{®1}, or Silastic RTV #732[®] on all threaded connections of plastic pipe and fittings.

DO NOT use pipe compounds on filter; it will cause the connection to crack. Do not use sealant on unions – assemble them dry and hand tight.

Support pipe independently to prevent strains on filter.

Keep piping tight and free of leaks: pump suction line leaks may cause trapped air in filter tank or loss of prime at pump.

¹ Lake Chemical Co., Chicago, IL

Electrical:

BE SURE pump grounding meets local and National Electrical Code standards. All wiring and grounding of associated equipment must meet local and National Electrical Code Standards.

INITIAL START-UP

⚠ Be sure pump is OFF before starting procedure.

⚠ Do not operate filter at more than 50 PSI (345 kPa).

1. Securely lock the Posi-Ring™ in place by rotating it **CLOCKWISE** until it “clicks” past the safety latch (see Figure 3). Stop turning as soon as the ring clicks past the latch. The ring may feel slightly loose, but it will tighten up when pump is on and filter is under pressure.
2. Install the pressure gauge and the air release valve (See Figure 3) on the tank lid.

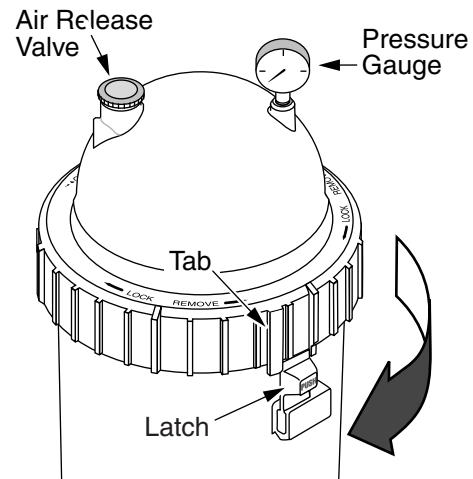


Figure 3 – Rotate Posi-Ring™ until tab locks behind the safety latch.

3. Fill the trap on the pump with water.
4. Open the air release valve on top of the filter.
5. Open valves separating filter from the rest of the system.
6. Start the pump to purge air from the system.
7. When a steady stream of water comes from the air release valve, close the valve.

NOTICE: Leaking around the Posi-Ring™ may indicate that the ring is not fully locked. In this case, proceed as follows:

- A. Stop the pump and open the air release valve to release any pressure within the filter.
- B. Remove the drain plug and drain all water from the filter.
- C. Rotate the Posi-Ring™ clockwise until it locks behind the safety latch (see Figure 3).

D. If the ring was already locked, remove it and the filter lid assembly. Inspect and clean the O-ring and all sealing surfaces. Relubricate the O-ring, if necessary.

NOTICE: Lubricate the O-ring sealing area inside the upper tank lip with silicone grease, as other lubricants may cause the ring to swell. DO NOT lubricate the Posi-Ring™ or the threads on tank shell as this may collect grit and make removal difficult.

After the filter is operating, record the filter pressure gauge reading in the owner's manual for future use.

FILTER DISASSEMBLY/ ASSEMBLY PROCEDURE

Before disassembling filter:

1. STOP PUMP.
2. OPEN air release valve and drain fitting.
3. WAIT until all pressure is released and water drained from filter tank and system before loosening Posi-Ring™.

Disassembly:

1. Stop the pump.
2. Open air release valve on top of filter tank to release all pressure from inside of tank.
3. Remove the drain cap and drain all water from the tank.
4. Remove filter lid assembly as follows:
 - a. Press the safety latch (below the ring) toward the tank to release it (see Figure 4).

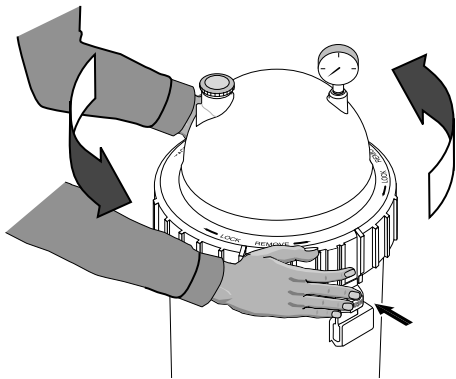


Figure 4 – Depress safety latch to unscrew the Posi-Ring™.

- b. Hold the latch in the release position and rotate the ring COUNTERCLOCKWISE to remove it. If the ring is difficult to turn, tap it gently with a rubber mallet to overcome initial resistance.
5. Inspect the O-ring for cuts, cracking, deformation or signs of wear; replace if necessary.

NOTICE: Do not remove the O-ring unless you need to replace it. To remove it, hook it out of its groove with a stiff curved piece of wire inserted through the small access slot in the bottom of the tank lid assembly.

SAFETY LATCH

The purpose of the safety latch is to hold the Posi-Ring™ in the locked position. If the latch is damaged, replace it as follows:

1. Press up on the small catch on the bottom of the safety latch and press or tap the latch out of the slot in the tank.
2. Slide the new latch into position until it latches in place.

NOTICE: DO NOT operate the filter if the safety latch is damaged or will not hold the Posi-Ring™ in the locked position.

Assembly:

1. Inspect and clean the tank, ring threads and O-ring groove. Replace damaged parts as necessary.
2. Install the filter cartridge in the tank. Push down firmly to seal it.

NOTICE: Lubricate the O-ring sealing area inside the upper tank lip with silicone base grease, as other lubricants may cause the ring to swell. DO NOT lubricate the Posi-Ring™ or the threads on the tank shell as this may collect grit and make removal difficult.

3. Install the O-ring in the tank lid assembly O-ring groove. Be sure that the O-ring is clean and not twisted.
- NOTICE:** Do not remove the O-ring unless you need to replace it.
4. Place the Posi-Ring™ squarely over the tank shell threads and rotate it CLOCKWISE until it is securely latched.
5. Follow instructions in the “Initial Startup” section of this manual.

CARTRIDGE CLEANING PROCEDURE

When to Clean the Filter: The filter cartridge should normally be removed and cleaned when the pressure gauge reading increases 10 PSI over the start-up pressure.

Follow all steps in the "Disassembly" section of this manual (Page 5).

NOTICE: When sanitizing your pool using PHMB (poly-hexamethylene biquanide based) cleaners, use *only* PHMB cleaners to clean the cartridge. When using PHMB sanitizers, the filter cartridge **MUST** be cleaned more thoroughly and frequently than for a pool using chlorine. Follow manufacturer's instructions carefully. Use of any other type of cleansers with PHMB pool sanitizers will void the filter's warranty.

1. Remove the drain cap and flush all foreign material from the inside of the tank before removing the filter cartridge.
2. Allow the tank to drain.
3. Lift out the cartridge and hose it down thoroughly. Spray the entire cartridge surface. Allow cartridge to drain.
4. Inspect the cartridge. If necessary, repeat the washing operation. If the cartridge is damaged, replace it.
5. Follow all steps in the "Assembly" (Page 5) and "Initial Startup" (Page 4) sections of this manual.

NOTICE: When this procedure no longer adequately cleans the cartridge, discard the cartridge and replace it with a new one.

SYSTEM INSPECTION

General:

NOTICE: DO NOT use solvents to clean the filter; solvents may damage plastic components in the system.

NOTICE: Open the air release valve and bleed all air from the filter each time the pump is stopped and restarted.

Weekly Inspection:

1. Remove debris from the pool skimmer basket.
2. Stop the pump; open the air release valve to release all pressure.
3. Remove the pump trap cover and basket; remove debris.
4. Check the pump for leaks. If found, see the pump owner's manual.
5. Replace the trap basket and the cover. Tighten the cover securely hand tight. DO NOT use a lid wrench to tighten it.
6. Start the pump. When the filter air release valve runs a solid stream of water, close the valve.
7. When the system has returned to normal operation, check the filter pressure. If the filter pressure is 10 PSI (69kPa) or more higher than the initial startup pressure, the filter needs cleaning. See "Cartridge Cleaning Procedure", at left.

WINTERIZING

NOTICE: Protect the filter from freezing. Allowing the filter to freeze will damage it and will void the warranty. If possible, take the system indoors for storage.

1. Clean the filter according to instructions (left) before winterizing.
2. Stop the pump.
3. Open the air release valve; open any system valves.
4. Remove the drain plugs from the trap, pump, and filter.
5. Gravity drain system and filter as far as possible.
6. Disassemble the filter (follow instructions under "Filter Disassembly", Page 5). Remove the filter cartridge and store it in a warm, dry area.
7. Cover the filter with plastic or tarpaulin to prevent water entrance and freezing.

TROUBLESHOOTING GUIDE

1. Short Cycle Time:

NOTICE: Cycle Time will vary with each installation and between different areas of the country. The following causes and remedies are for cycle times shorter than normal for your area.

- A. Chlorine residual too low; maintain proper residual (consult pool professional for recommendation).
- B. Filter cartridge is dirty or plugged; thoroughly clean the filter (see No. 4, "Plugged Cartridge", and "Cartridge Cleaning Procedure", Page 6).
- C. Water is chemically out of balance; consult pool professional.
- D. Algae in the pool. Apply heavy dose of chlorine or algicide as recommended by the pool manufacturer.
- E. Replace the cartridge.

2. Low Flow/High Pressure:

- A. Cartridge plugged; clean filter thoroughly (see Page 6).
- B. Pipe blocked downstream from filter; remove obstruction.
- C. Piping too small; use larger pipe (consult dealer for sizing).

3. Low Flow/Low Pressure:

- A. Plugged pump or plugged hair and lint trap; clean thoroughly.

4. Plugged Cartridge:

- A. Insufficient cleaning; follow cleaning instructions closely and clean thoroughly (see Page 6).
- B. Water is chemically out of balance; consult pool professional.
- C. Excessive air in filter. Vent air from tank and check for pump suction pipe leaks. Clean air bleed tube in cartridge assembly.

D. Pool water contains iron. Consult your pool professional.

E. Heavy or improper application of powdered chlorine tablets using a binder. Consult your pool professional.

F. Algae in the pool. Apply heavy dose of chlorine or algicide as recommended by the pool manufacturer.

G. Use of incorrect chemicals with PHMB sanitizers. Replace filter cartridge.

H. Replace the cartridge.

5. Pool Water Not Clean:

A. Chlorine residual too low; maintain adequate chlorine residual (consult pool service technician for recommendation).

B. Filter cartridge torn, plugged, or punctured; replace cartridge.

C. Pool water contains iron. Consult your pool professional.

D. Heavy or improper application of powdered chlorine tablets using a binder. Consult your pool professional.

E. Algae in the pool. Apply heavy dose of chlorine or algicide as recommended by the pool manufacturer.

F. Replace the cartridge.

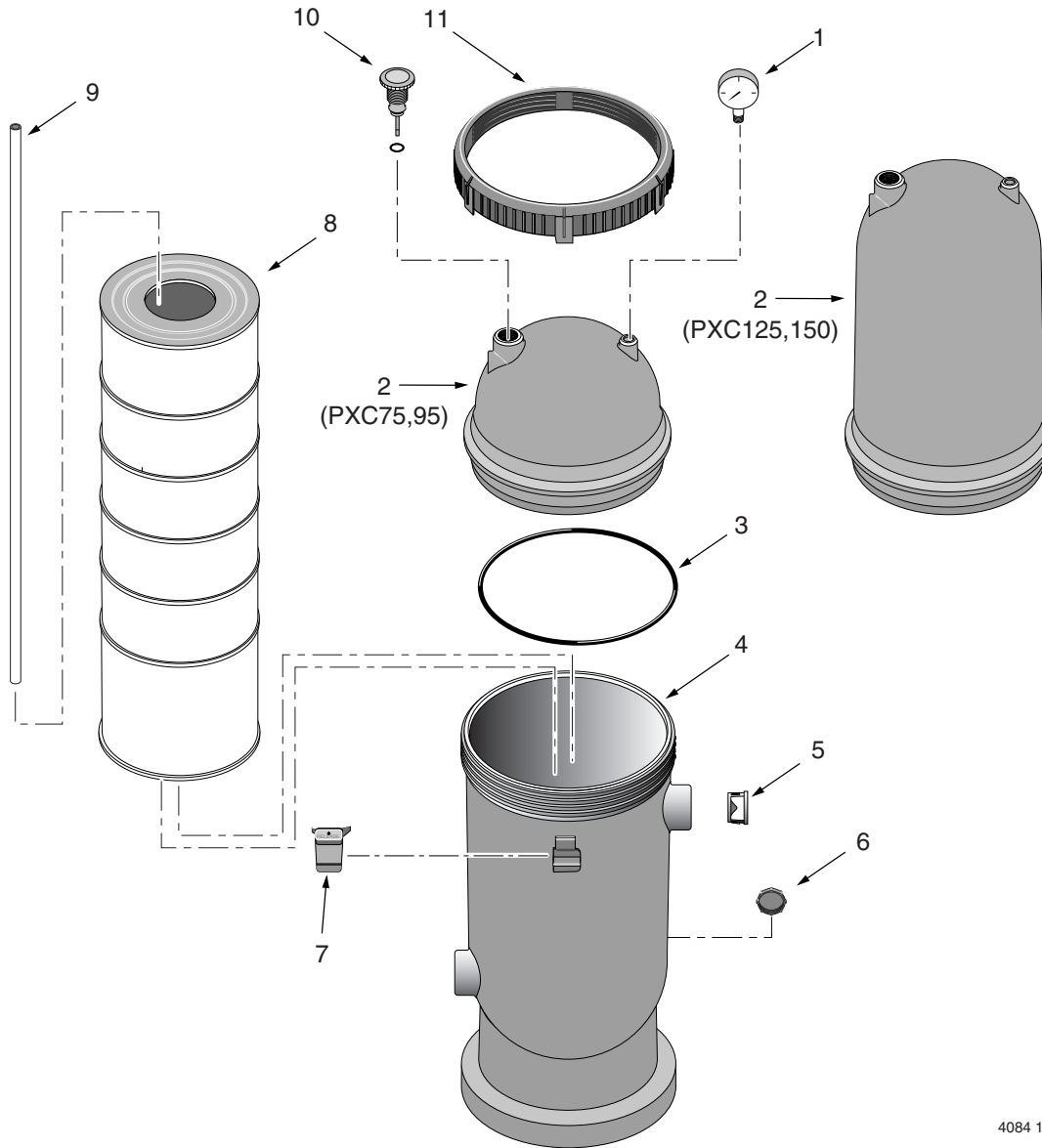
6. Pool Cleaner Stops Working:

A. Clean filter and observe performance of pool cleaner.

B. If pool cleaner performs better after filter has been cleaned, use a shorter cleaning cycle for the filter (that is, clean the filter after a pressure rise of less than 10 PSI).

REPAIR PARTS

PXC75
PXC95
PXC125
PXC150



4084 1001

Key No.	Description	Qty.	PXC75	PXC95	PXC125	PXC150
1	Pressure Gauge	1	15060-0000T	15060-0000T	15060-0000T	15060-0000T
2	Filter Lid Assembly*	1	25230-0102S	25230-0102S	25230-0103S	25230-0103S
3	Tank O-Ring†	1	25230-0010S	25230-0010S	25230-0010S	25230-0010S
4	Tank Body	1	25230-0001S	25230-0001S	25230-0001S	25230-0001S
5	Water Diverter	1	25230-0006	25230-0006	25230-0006	25230-0006
6	Drain Cap with Gasket	1	32185-7074	32185-7074	32185-7074	32185-7074
7	Safety Latch	1	25200-0007	25200-0007	25200-0007	25200-0007
8	Filter Cartridge	1	25230-0075S	25230-0095S	25230-0125S	25230-0150S
9	Air Bleed Tube	1	25230-0007	25230-0007	25230-0008	25230-0008
10	Air Release Valve with O-Ring	1	24206-0103S	24206-0103S	24206-0103S	24206-0103S
11	Locking Ring (not sold separately)	1	—	—	—	—

* Includes Key Nos. 2, 3 and 11.

† Includes silicone grease.

STA-RITE LIMITED WARRANTY

Pumps, filters, skimmers, underwater lights (except bulbs), accessories and fittings manufactured by Sta-Rite are warranted to be free of defects in material and workmanship for one (1) year from date of installation.

Product specific warranties: **Year from date of installation**

<i>HRPB, DEPB, System 3, System 2 and Posi-Clear</i>	
Tanks	10 years
Internal filter components and valves	1 year
<i>Max-E-Therm - Pool/Spa Heaters</i>	
Heater Enclosure only (Upper RH & LH; lower enclosure; and control board enclosure)...	10 years
<i>Automatic Pool Cleaners including Hose</i>	
	2 years
<i>Cristal-Flo filters - Tanks</i>	
Valve and internal components.	1 year
<i>Posi-Flo II - Tanks</i>	
Elements	1 year
<i>PRC Cartridge -</i>	
Filter Tanks	5 years pro-rated (1st 2 years full)
Elements	1 year
<i>System 2 Above Ground Systems - Tanks</i>	
Pumps / Platform and Internals	1 year
<i>Pumps</i>	
When equipped with A.O. Smith 2-compartment motors (Does not include pumps sold as part of a systems package)	2 years
<i>Traps / In-Line Strainers</i>	
	1 year
<i>Vertical Commercial Filter - Tanks</i>	
Internals	1 year
<i>Horizontal Commercial Filter</i>	
Tanks	5 years
(Years 6-9, Prorated declining 20%/year, Yr. 10 - 10%)	
Internals	1 year

* Full warranty coverage is in effect for one year after installation. The pro-rated warranty covers the *tank only* during the 2nd through 10th year after installation. The amount covered decreases by 10% each year. (ie., 2nd year 90% covered, 3rd year 80% covered, etc.).

The foregoing warranties relate to the original consumer purchaser ("Purchaser") only. Sta-Rite shall have the option to repair or replace the defective product, at its sole discre-

tion. Purchasers must pay all labor and shipping charges necessary to replace the product covered by this warranty. Requests for warranty service must be made through the installing dealer. This warranty shall not apply to any product that has been subject to negligence, misapplication, improper installation or maintenance, or other circumstances which are not in Sta-Rite's direct control.

This warranty sets forth Sta-Rite's sole obligation and Purchaser's exclusive remedy for defective products.

STA-RITE SHALL NOT BE LIABLE FOR ANY CONSEQUENTIAL, INCIDENTAL OR CONTINGENT DAMAGES WHATSOEVER.

THE FOREGOING WARRANTIES ARE EXCLUSIVE AND IN LIEU OF ALL OTHER EXPRESS WARRANTIES. IMPLIED WARRANTIES, INCLUDING BUT NOT LIMITED TO THE IMPLIED WARRANTIES OF MERCHANTABILITY AND FITNESS FOR A PARTICULAR PURPOSE, SHALL NOT EXTEND BEYOND THE DURATION OF THE APPLICABLE EXPRESS WARRANTIES PROVIDED HEREIN.

Some states do not allow the exclusion or limitation of incidental or consequential damages or limitations on how long an implied warranty lasts, so the above limitations or exclusion may not apply to you. This warranty gives you specific legal rights and you may also have other rights which vary from state to state.

Supersedes all previous publications.

Sta-Rite Industries, Inc.,
293 Wright St., Delavan, WI 53115

▲ Retain Warranty Certificate (upper portion) in a safe and convenient location for your records.

DETACH HERE: Fill out bottom portion completely and mail within 10 days of purchase/installation to:

▼ Sta-Rite, Attn: Warranty Dept., 293 Wright St., Delavan, WI 53115

STA-RITE®



Warranty Registration Card

Name _____

Years pool has been in service less than 1 1-3 3-5 5-10

Address _____

Purchased from:
 Company name _____

City _____ State _____ Zip _____

Address _____

Purchase Date _____

City _____ State _____ Zip _____

Product Purchased _____

New installation Replacement

Please send me more information on these other products from Sta-Rite.

Type of Pool Inground Vinyl Fiberglass Gunite

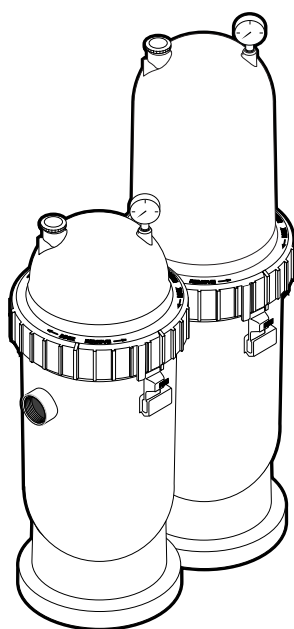
- Pumps Filters Automatic Pool Cleaners
- Maintenance Equipment Test Strips
- Heaters

Size of Pool _____

STA-RITE®

Filtres à cartouche Posi Clear^{MD} Modèles PXC75, PXC95, PXC125 et PXC150

NOTICE D'UTILISATION



INSTALLATION, FONCTIONNEMENT ET PIÈCES



Cette Notice doit être remise à l'utilisateur de ce filtre; elle permettra de diminuer les appels de service, les possibilités de blessures et elle prolonger la durée du filtre.

Sta-Rite Pool/Spa Group

293 Wright Street, Delavan, WI 53115

International: 262-728-5551, FAX: 262-728-7550

www.starite.com

Union City, TN • Delavan, WI • Mississauga, Ont. • Murrieta, CA

© 2003, Sta-Rite Industries, Inc.

Imprimé aux États-Unis

S620 (Rév. 19/9/03)

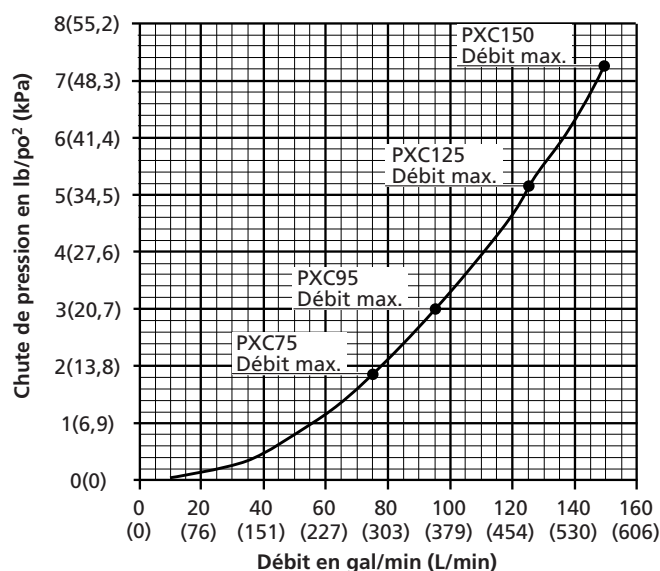
E
N
G
L
I
S
H

F
R
A
N
Ç
A
I
S

E
S
P
A
Ñ
O
L

Table des matières

Spécifications	2
Consignes de sécurité.....	3
Renseignements généraux	3
Installation	4
Mise en service initiale.....	4
Démontage et remontage du filtre.....	5
Nettoyage de la cartouche filtrante.....	6
Inspection du système/Hivérisation	6
Guide de diagnostics des pannes	7
Pièces de rechange.....	8
Garantie	9



Courbe des chutes de pression de tous les modèles PXC.

Tableau 2 – Spécifications des filtres

	N° des modèles			
	PXC75	PXC95	PXC125	PXC150
Surface de filtration en pi ² (m ²)	75 (6,96)	95 (8,8)	125 (11,6)	150 (13,9)
Débit résidence maximum en gal/min (L/min)*	75 (284)	95 (360)	125 (473)	150 (568)
Débit piscines publique maximum en gal/min (L/min)	28 (106)	36 (132)	47 (177)	56 (212)
Pression de fonctionnement maximum en lb/po ² (kPa)	50 (345)	50 (345)	50 (345)	50 (345)
Température constante maximum de l'eau - °F (°C)	104° (40°)	104° (40°)	104° (40°)	104° (40°)

* Liste de NSF pour débit piscines publique seulement.

SPÉCIFICATIONS

Tableau 1 – Dimensions des filtres en pouces (en mm)

Dimensions	N° des modèles		
	PXC75	PXC95	PXC125 PXC150
A	36 (914)		51 (1 295)
B	31 (787)		40 (1 016)

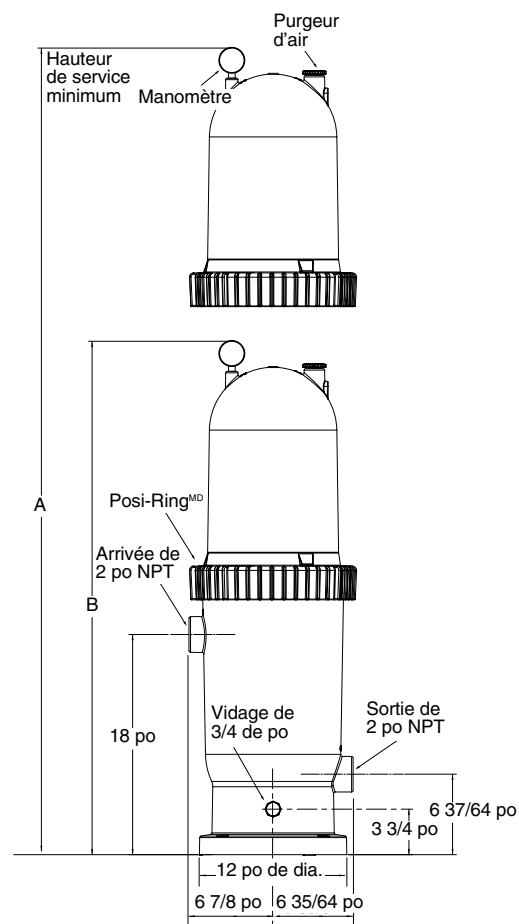



FIGURE 1 – Dimensions en pouces (en mm)

LIRE ET OBSERVER TOUTES CES CONSIGNES DE SÉCURITÉ!

 Ce symbole indique qu'il faut être prudent. Lorsque ce symbole apparaît sur la pompe ou dans cette Notice, rechercher une des mises en garde qui suivent, car elles indiquent un potentiel possible de blessures corporelles :

⚠ DANGER avertit d'un danger **qui causera** la mort, des blessures corporelles ou des dommages matériels importants si on l'ignore.

⚠ AVERTISSEMENT avertit d'un danger **qui risque** de causer la mort, des blessures corporelles ou des dommages matériels importants si on l'ignore.


⚠ ATTENTION avertit d'un danger qui **causera** ou qui **risquera** de causer des blessures corporelles, la mort ou des dommages matériels importants si on l'ignore.


NOTA indique des instructions spéciales n'ayant aucun rapport avec les dangers.


Lire attentivement toutes les consignes de sécurité contenues dans cette Notice ou collées sur le filtre.


Garder les autocollants concernant les consignes de sécurité en bon état; les remplacer s'ils manquent ou s'ils ont été endommagés.

⚠ AVERTISSEMENT **Pression dangereuse. Un appareil mal posé ou mal contrôlé peut tomber en panne, causer de graves blessures corporelles ou des dommages matériels.** Lire et suivre toutes les instructions figurant dans la Notice d'utilisation pour installer et utiliser ce filtre. Demander à un professionnel en piscines de procéder à tous les contrôles de pression.

 Ne jamais brancher le filtre sur l'air comprimé.

 Ne jamais brancher le système sur le réseau d'eau municipale, ni sur une source externe d'eau sous pression.

 Ne pas brancher le filtre sur des pompes dont la pression maximum peut dépasser 50 lb/po² (345 kPa).

 Avant de faire fonctionner le système, ouvrir le purgeur d'air pour chasser tout l'air du système.

⚠ AVERTISSEMENT **Risque de chutes et de blessures.** La surface du filtre est glissante. Ne pas permettre aux enfants de se tenir ni de jouer sur le filtre.

RENSEIGNEMENTS GÉNÉRAUX

Quand nettoyer le filtre : La cartouche filtrante doit normalement être nettoyée dès que la pression indiquée par le manomètre est supérieure à 10 lb/po² par rapport à la pression de mise en service.

Dans certaines piscines, des accessoires comme des fontaines ou des nettoyeurs automatiques de piscine peuvent être considérablement affectés par une diminution normale du débit, au fur et à mesure que le filtre se bouche. Dans ce cas, nettoyer le filtre plus fréquemment (c'est-à-dire, avant que la pression soit supérieure à 10 lb/po² par rapport à la pression de fonctionnement lors de la mise en service) de façon à maintenir le débit requis.

Dans le cas d'une piscine neuve, la nettoyer le mieux possible avant de la remplir et de faire fonctionner le filtre.

Dans le cas d'une installation type de piscine, il faudra environ une semaine pour que le filtre puisse fournir et garder une eau limpide.

La pression maximum doit être de 50 lb/po² (345 kPa). **NE JAMAIS** brancher le système sur le réseau d'eau municipale, ni une source externe d'eau sous pression.

Les filtres à cartouche Sta-Rite ne sont conçus que pour filtrer l'eau des piscines et des spas. Dans le cas d'une installation neuve, nous recommandons de :

1. Démontez le filtre après le nettoyage initial. Suivre les recommandations figurant sous la rubrique «Démontage et remontage du filtre» de la page 5.
2. Déposer la cartouche filtrante et la nettoyer avec le jet d'un tuyau d'arrosage pour enlever tous les contaminants.

Garder le pH de l'eau de la piscine entre 7.2 et 7.6.

S'assurer que la bague Posi-Ring^{MD} est fermement verrouillée en place avant de faire fonctionner le filtre.

Garder le manomètre en bon état de fonctionnement.

Remplacer immédiatement le manomètre s'il est endommagé.

Les fréquences de nettoyage sont basées sur l'élévation en pression, et non pas sur la durée pendant laquelle le filtre fonctionne. En fonction des conditions de l'eau, les fréquences de nettoyage varient.

NOTA : Certains désinfectants de piscine risquent de colmater la cartouche filtrante. Pour maximiser la durée de la cartouche filtrante et espacer les cycles de nettoyage du filtre, suivre attentivement les instructions du fabricant du désinfectant pour nettoyer la piscine ou le filtre. Ne pas respecter ces instructions risque d'affecter la garantie de la cartouche.

INSTALLATION

Le support du filtre doit :

Pouvoir protéger le filtre contre les intempéries et le gel.
Procurer les dégagements et l'éclairage nécessaires et suffisants pour procéder facilement aux entretiens périodiques. (Se reporter à la Figure 1 pour connaître les dégagements requis.)
Permettre la ventilation de la pompe et son vidage.
Être de niveau et assurer un écoulement adéquat.

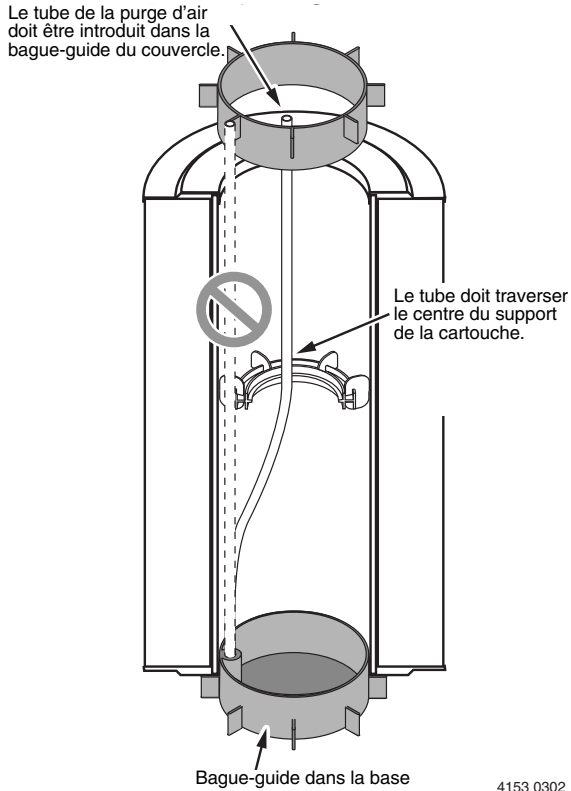


FIGURE 2 – Assembler le tube de purge d'air comme il est illustré.

La tuyauterie :

NOTA : S'assurer que le filtre et que tous les tuyaux peuvent être vidés pour l'hiver. Se reporter à la rubrique « Hivérisation » de la page 6.

NOTA : Un serrage excessif de la bague risque de fissurer les orifices du filtre.

Utiliser du ruban d'étanchéité en téflon, du Plasto-Joint Stick^{®1} ou du Silastic n° 732[®] résistant aux variations de température sur tous les raccords mâles des tuyaux et sur tous les raccords en plastique. **NE PAS utiliser de pâte pour raccords filetés sur les tuyaux en plastique, sinon ils se fissureront. Ne pas utiliser de produits d'étanchéité sur les raccords unions - les assembler à sec et ne les serrer qu'à la main.**

Supporter les tuyaux indépendamment les uns des autres pour empêcher toutes contraintes sur le filtre.

Garder les raccords des tuyaux bien serrés et exempts de prises d'air : une prise d'air de la conduite d'aspiration de la pompe peut causer l'emprisonnement d'air dans le corps du filtre ou une perte d'amorçage de la pompe.

¹ Lake Chemical Co., Chicago, IL

Électricité :

S'ASSURER que la mise à la terre de la pompe est conforme aux normes de la municipalité, au National Electrical Code et au Code canadien de l'électricité. Tout le câblage, toutes les mises à la terre et toutes les liaisons métalliques de l'équipement connexe doivent être conformes aux normes du National Electrical Code, du Code canadien de l'électricité et/ou de la municipalité.

MISE EN SERVICE INITIALE

⚠ S'assurer que la pompe est ARRÊTÉE avant de procéder à la mise en service.

⚠ Ne jamais faire fonctionner ce filtre par des pressions supérieures à 50 lb/po² (345 kPa)!

1. Verrouiller en toute sécurité en place la bague Posi-Ring^{MD} en la tournant à DROITE, jusqu'à ce que l'on entende un « déclic », au-delà du verrou de sécurité (se reporter à la Figure 3). Arrêter de tourner la bague dès que l'on entend un déclic au-delà du verrou. Il se peut que la bague semble être légèrement desserrée, mais elle se serrera dès que la pompe fonctionnera et dès que le filtre sera mis sous pression.
2. Poser le manomètre et le purgeur d'air sur le couvercle du corps du filtre (se reporter à la Figure 3).

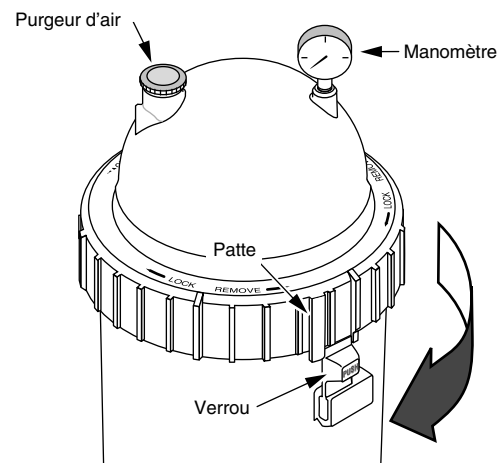


Figure 3 – Tourner la bague Posi-Ring^{MD} jusqu'à ce que la patte se verrouille derrière le verrou de sécurité.

3. Remplir d'eau la cuve de la pompe.
4. Ouvrir le purgeur d'air qui se trouve en haut du filtre.
5. Ouvrir les robinets séparant le filtre du reste du système.
6. Démarrer la pompe pour chasser l'air du système.
7. Lorsqu'un jet d'eau continu sort du purgeur d'air, le fermer.
NOTA : Toute fuite autour de la bague Posi-Ring^{MD} peut indiquer que la bague n'est pas complètement verrouillée. Dans ce cas, procéder comme suit :
 - A. Arrêter la pompe et ouvrir le purgeur d'air de façon à dissiper toute la pression dans le filtre.
 - B. Déposer le bouchon de vidage et vider toute l'eau du filtre.
 - C. Tourner la bague Posi-Ring^{MD} à droite jusqu'à ce qu'elle se verrouille, derrière le verrou de sécurité (se reporter à la Figure 3).

- D. Si la bague était déjà verrouillée, la déposer, ainsi que le couvercle du filtre. Inspecter et nettoyer le joint torique et toutes les surfaces d'étanchéité. Au besoin, relubrifier le joint torique.

NOTA : Avec de la graisse à la silicone, lubrifier la surface d'étanchéité du joint torique à l'intérieur du rebord supérieur du corps du filtre; utiliser d'autres lubrifiants risque de faire gonfler la bague. NE PAS lubrifier la bague Posi-Ring^{MD} ni les filets de l'enveloppe du corps du filtre, car le lubrifiant risque d'attirer la saleté et la poussière, ce qui rendra le démontage difficile.

Pendant que le filtre fonctionne, relever la pression indiquée par le manomètre du filtre et la noter dans la Notice d'utilisation pour s'y reporter ultérieurement.

DÉMONTAGE ET REMONTAGE DU FILTRE

Avant de démonter le filtre :

1. **ARRÊTER LA POMPE.**
2. **OUVRIER le purgeur d'air et le raccord de vidage.**
3. **ATTENDRE que toute la pression soit dissipée et que toute l'eau soit vidée du corps du filtre et du système avant de desserrer la bague Posi-Ring^{MD}.**

Démontage :

1. Arrêter la pompe.
2. Ouvrir le purgeur d'air qui se trouve en haut du corps du filtre pour dissiper toute la pression accumulée à l'intérieur du corps du filtre et du système.
3. Déposer le bouchon de vidage et vider toute l'eau du corps du filtre.
4. Déposer le couvercle du filtre en procédant comme suit :
 - a. Appuyer sur le verrou de sécurité (qui se trouve sous la bague) en le poussant vers le corps du filtre pour le dégager (se reporter à la Figure 4).

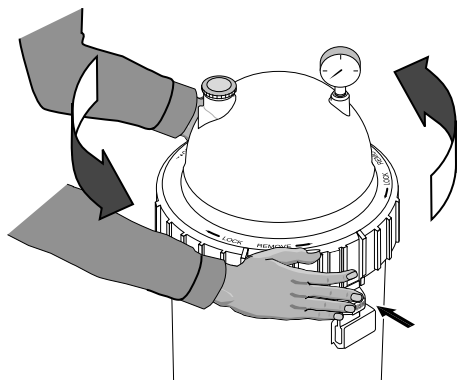


Figure 4 – Appuyer sur le verrou de sécurité pour dévisser la bague Posi-Ring^{MD}.

- b. Immobiliser le verrou dans la position dégagée, puis tourner la bague À GAUCHE pour la déposer. S'il est difficile de tourner la bague, taper légèrement dessus avec un maillet en caoutchouc de façon à surmonter la résistance initiale.

5. Inspecter le joint torique à la recherche de coupures, d'entailles, de déformation ou de signes d'usure; le remplacer au besoin.

NOTA : Ne pas déposer le joint torique tant que l'on n'est pas prêt à le remplacer. Pour le déposer, le sortir de sa gorge avec un fil de fer rigide courbé à son extrémité que l'on introduira dans la petite fente d'accès qui se trouve à la partie inférieure du couvercle du corps du filtre.

VERROU DE SÉCURITÉ

Le but du verrou de sécurité est d'immobiliser la bague Posi-Ring^{MD} en position verrouillée. Si le verrou est endommagé, le remplacer en procédant comme suit :

1. Appuyer sur le petit cliquet qui se trouve à la partie inférieure du verrou de sécurité, puis appuyer ou taper sur le verrou pour le sortir de la fente du corps du filtre.
2. Glisser le verrou neuf en position jusqu'à ce qu'il se verrouille en place.

NOTA : NE PAS faire fonctionner le filtre si le verrou de sécurité est endommagé ou s'il n'immobilise pas la bague Posi-Ring^{MD} dans la position verrouillée.

Remontage :

1. Inspecter et nettoyer le corps du filtre, les filets de la bague de serrage et la gorge du joint torique. Remplacer les pièces endommagées au besoin.
2. Poser la cartouche filtrante dans le corps du filtre. Appuyer fermement dessus pour la rendre étanche.

NOTA : Avec de la graisse à la silicone, lubrifier la surface d'étanchéité du joint torique à l'intérieur du rebord supérieur du corps du filtre; utiliser d'autres lubrifiants risque de faire gonfler la bague. NE PAS lubrifier la bague Posi-Ring^{MD} ni les filets de l'enveloppe du corps du filtre, car le lubrifiant risque d'attirer la saleté et la poussière, ce qui rendra le démontage difficile.

3. Poser le joint torique dans la gorge pratiquée dans le couvercle du corps du filtre. S'assurer que le joint torique est propre et qu'il n'est pas déformé.

NOTA : Ne pas déposer le joint torique tant que l'on n'est pas prêt à le remplacer.

4. Bien poser d'équerre la bague Posi-Ring^{MD} sur les filets du corps du filtre, puis la tourner à DROITE jusqu'à ce qu'elle se verrouille en toute sécurité en place.
5. Suivre les instructions figurant sous la rubrique « Mise en service initiale » de cette Notice.

NETTOYAGE DE LA CARTOUCHE FILTRANTE

Quand nettoyer le filtre : La cartouche filtrante doit normalement être déposée et nettoyée dès que la pression indiquée par le manomètre est supérieure à 10 lb/po² (69 kPa) par rapport à la pression de mise en service.

Procéder à toutes les opérations figurant sous la rubrique « Démontage » de cette Notice (page 5).

NOTA : Si on désinfecte la piscine avec des nettoyants à base de polyhexaméthylène biquanide (PHMB), ne *les utiliser que pour* nettoyer la cartouche filtrante. Si on utilise des désinfectants au PHMB, la cartouche filtrante DOIT être nettoyée plus fréquemment et plus complètement que dans le cas d'une piscine dans laquelle on utilise du chlore. Suivre attentivement les instructions du fabricant. L'utilisation d'autres nettoyants conjointement avec des désinfectants de piscine au PHMB annulera la garantie du filtre.

1. Déposer le bouchon de vidage et chasser les corps étrangers contenus dans le corps du filtre avant de déposer la cartouche filtrante.
2. Laisser le corps du filtre de vider.
3. Sortir la cartouche du corps du filtre et, à l'aide du jet d'un tuyau d'arrosage, bien la nettoyer. Asperger toute la surface de la cartouche. La laisser s'égoutter.
4. Inspecter la cartouche. Au besoin, répéter l'opération de nettoyage. Si la cartouche est endommagée, la remplacer.
5. Suivre toutes les opérations figurant sous les rubriques « Remontage » (page 5) et « Mise en service initiale » (page 4) de cette Notice.

NOTA : Si cette méthode ne permet plus de nettoyer adéquatement la cartouche, jeter la cartouche et la remplacer par une neuve.

INSPECTION DU SYSTÈME

Généralités :

NOTA : NE PAS utiliser de dissolvants pour nettoyer le filtre, car ces produits risquent d'endommager les composants en plastique du système.

NOTA : Ouvrir le purgeur d'air et chasser tout l'air du filtre chaque fois que l'on arrête la pompe, puis qu'on la remet en marche.

Inspection hebdomadaire :

1. Enlever tous les débris accumulés dans le panier de l'écumoire de la piscine.
2. Arrêter la pompe; ouvrir le purgeur d'air pour dissiper toute la pression.
3. Déposer le couvercle et le joint de la cuve de la pompe; enlever tous les débris.
4. Vérifier la pompe à la recherche de fuites. En cas de fuites, se reporter à la Notice d'utilisation de la pompe.
5. Reposer le joint de la cuve et le couvercle de la pompe. Serrer fermement le couvercle à la main. NE PAS utiliser de clé de couvercle pour le serrer.
6. Redémarrer la pompe. Fermer le purgeur d'air du filtre dès qu'un jet d'eau continu s'en échappe.
7. Dès que le système fonctionne normalement, vérifier la pression du filtre. Dès que la pression du filtre est de 10 lb/po² (69 kPa) ou plus supérieure à la pression de mise en service initiale, le filtre doit être nettoyé. Se reporter à la rubrique « Nettoyage de la cartouche » ci-contre.

HIVÉRISATION

NOTA : Protéger le filtre contre le gel. Laisser geler le filtre l'endommagera, et la garantie sera annulée. Dans la mesure du possible, remiser le système à l'intérieur.

1. Nettoyer le filtre conformément aux instructions ci-contre avant de le préparer pour l'hiver.
2. Arrêter la pompe.
3. Ouvrir le purgeur d'air, ainsi que toutes les vannes, tous les robinets, etc. du système.
4. Déposer les bouchons de vidage de la cuve de la pompe, de la pompe et du filtre.
5. Vider le système par gravité aussi loin que possible.
6. Démontez le filtre (se reportant aux instructions figurant sous la rubrique « Démontage du filtre » de la page 5). Enlever la cartouche du corps du filtre et l'entreposer dans un endroit sec et chaud.
7. Pour empêcher l'eau de pénétrer dans le filtre (laquelle risquera de geler), couvrir le filtre avec une feuille de plastique ou une bâche.

GUIDE DE DIAGNOSTIC DES PANNES

1. Cycles de fonctionnement de courte durée :

NOTA : La durée des cycles de fonctionnement varie avec chaque installation et selon les régions du pays. Les causes et remèdes suivants se rapportent à des durées de cycles de fonctionnement plus courtes que la normale pour la région dans laquelle le filtre sera installé.

- A. Valeur résiduelle de chlore trop basse; maintenir une valeur résiduelle adéquate (consulter un professionnel en piscines pour les recommandations).
- B. La cartouche filtrante est sale ou bouchée; bien nettoyer le filtre (se reporter au paragraphe 4. ci-dessous «Cartouche filtrante bouchée » et à la rubrique «Nettoyage de la cartouche filtrante» de la page 6).
- C. L'eau est chimiquement déséquilibrée; consulter un professionnel en piscines.
- D. Algues dans la piscine. Traiter avec une forte dose de chlore ou d'algicide, selon les recommandations du fabricant de la piscine.
- E. Remplacer la cartouche filtrante.

2. Débit faible et pression élevée :

- A. La cartouche filtrante est bouchée; bien nettoyer le filtre (se reporter à la page 6).
- B. La tuyauterie est bouchée en aval du filtre; éliminer l'obstruction.
- C. Tuyauterie trop petite; utiliser des tuyaux de plus gros diamètre (consulter le marchand pour connaître le diamètre des tuyaux à utiliser).

3. Débit faible et pression basse :

- A. Pompe ou cuve de la pompe bouchées par des cheveux et de la charpie; bien les nettoyer.

4. Cartouche filtrante bouchée :

- A. Nettoyage insuffisant; suivre attentivement les instructions de nettoyage et bien nettoyer (se reporter à la page 6).
- B. L'eau est chimiquement déséquilibrée; consulter un professionnel en piscines.

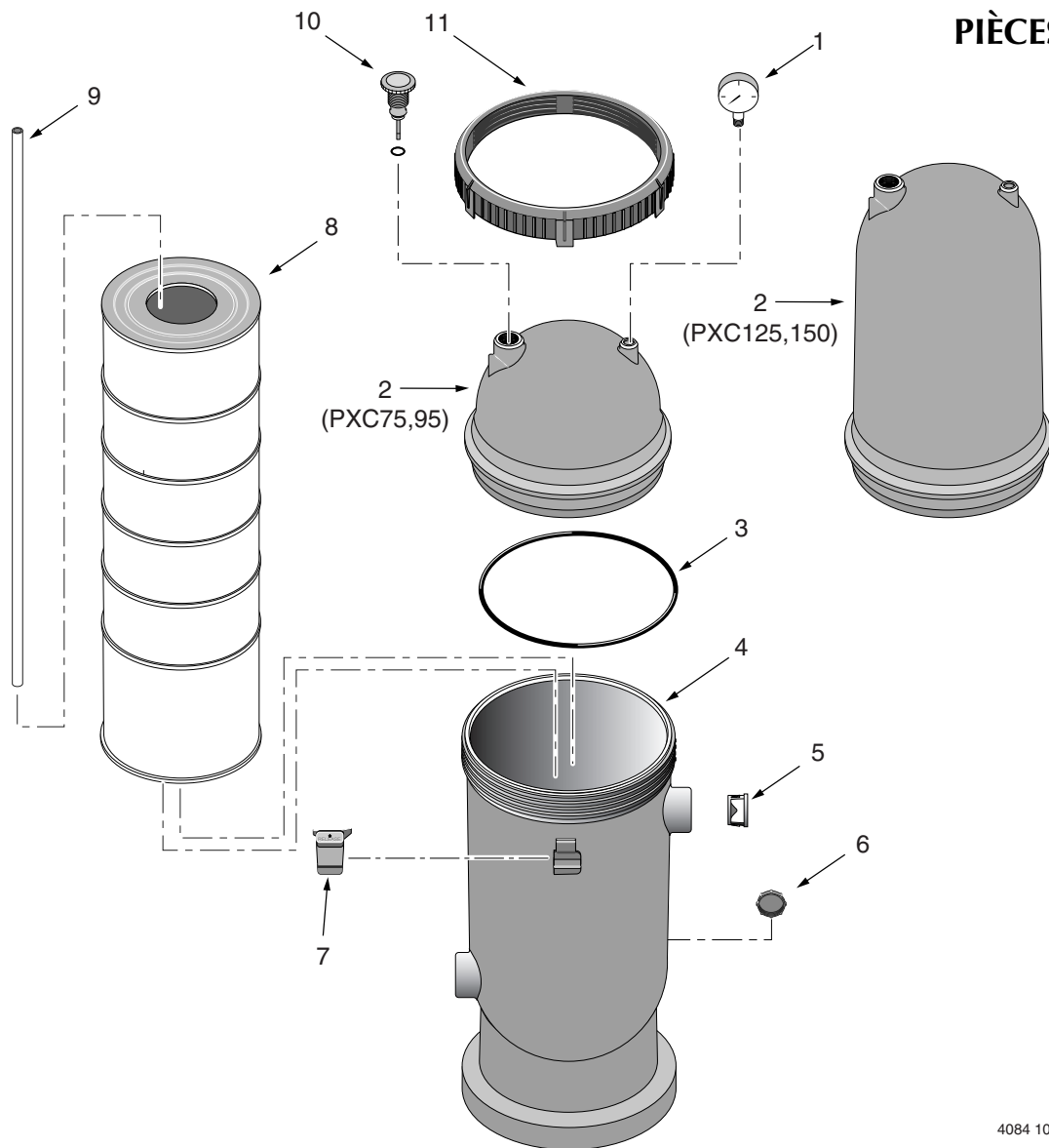
- C. Quantité d'air excessive dans le filtre. Nettoyer le tube de purge d'air de la cartouche filtrante.
- D. L'eau de la piscine contient du fer. Consulter un professionnel en piscines.
- E. Utilisation trop importante ou inadéquate de tablettes de chlore en poudre contenant un liant. Consulter un professionnel en piscines.
- F. Algues dans la piscine. Traiter avec une forte dose de chlore ou d'algicide, selon les recommandations du fabricant de la piscine.
- G. Utilisation de mauvais produits chimiques avec des désinfectants au PHMB. Remplacer la cartouche filtrante.
- H. Remplacer la cartouche filtrante.

5. L'eau de la piscine n'est pas propre :

- A. La valeur résiduelle de chlore trop basse; maintenir une valeur résiduelle adéquate (consulter un professionnel en piscines pour les recommandations).
- B. La cartouche filtrante est déchirée, bouchée ou perforée; la remplacer.
- C. L'eau de la piscine contient du fer. Consulter un professionnel en piscines pour les recommandations.
- D. Utilisation trop importante ou inadéquate de tablettes de chlore en poudre contenant un liant. Consulter un professionnel en piscines pour les recommandations.
- E. Algues dans la piscine. Traiter avec une forte dose de chlore ou d'algicide, selon les recommandations du fabricant de la piscine.
- F. Remplacer la cartouche filtrante.

6. Les accessoires de la piscine cessent de fonctionner :

- A. Nettoyer le filtre et observer le rendement du nettoyeur automatique de la piscine
- B. Si le nettoyeur automatique de la piscine fonctionne mieux après avoir nettoyé le filtre, nettoyer le filtre plus fréquemment (c'est-à-dire avant que la pression soit supérieure à 10 lb/po² par rapport à la pression de fonctionnement lors de la mise en service).



PIÈCES DE RECHANGE

PXC75
PXC95
PXC125
PXC150

4084 1001

Réf.	Désignation	Qté	PXC75	PXC95	PXC125	PXC150
1	Manomètre	1	15060-0000T	15060-0000T	15060-0000T	15060-0000T
2	Couvercle du filtre*	1	25230-0102S	25230-0102S	25230-0103S	25230-0103S
3	Joints toriques du corps du filtre†	1	25230-0010S	25230-0010S	25230-0010S	25230-0010S
4	Corps du filtre	1	25230-0001S	25230-0001S	25230-0001S	25230-0001S
5	Dérivation de l'eau	1	25230-0006	25230-0006	25230-0006	25230-0006
6	Bouchon de vidage et joint	1	32185-7074	32185-7074	32185-7074	32185-7074
7	Verrou de sécurité	1	25200-0007	25200-0007	25200-0007	25200-0007
8	Cartouche filtrante	1	25230-0075S	25230-0095S	25230-0125S	25230-0150S
9	Tube de purge d'air	1	25230-0007	25230-0007	25230-0008	25230-0008
10	Purgeur d'air et joint torique	1	24206-0103S	24206-0103S	24206-0103S	24206-0103S
11	Bague de verrouillage (pas vendue séparément)	1	—	—	—	—

* Comprend les Réf. 2, 3 et 11.

† Comprend la graisse à la silicone.

GARANTIE LIMITÉE STA-RITE

Les pompes, les filtres, les écumoirs, l'éclairage immergé (à l'exception des ampoules), les accessoires et les raccords fabriqués par Sta-Rite sont garantis exempts de vices de matériau et de fabrication pendant un (1) an à compter de la date d'installation.

Garantie particulière des produits: **Année(s) à partir de la date d'installation**

<i>HRPB, DEPB, Système 3, Système 2 et Posi-Clear</i>	
Réservoirs.....	10 ans
Pièces internes du filtre et vannes	1 an
<i>Max-E-Therm - Chauffe-piscine/Chauffe-spa.....</i>	
Enceinte du chauffe-piscine/chauffe-spa (Supérieures droite et gauche; enceinte inférieure et enceinte de la plaquette des commandes électroniques)	
10 ans	
<i>Nettoyeurs automatiques de piscine, y compris le tuyau souple.....</i>	
2 ans	
<i>Filtres Cristal-Flo - Réservoirs.....</i>	
10 ans pro-rata*	
Vanne et pièces internes.	1 an
<i>Posi-Flo II - Réservoirs</i>	
10 ans	
Cartouches filtrantes	1 an
<i>Cartouche PRC -</i>	
Réservoirs de filtre.....	5 ans, au prorata (1 res deux années, garantie totale)
Cartouches filtrantes	1 an
<i>Système 2, hors terre - Réservoirs</i>	
10 ans	
Pompes/Plate-forme et pièces internes.....	1 an
<i>Pompes</i>	
1 an	
Fonctionnant avec un moteur à 2 compartiments A.O. Smith (ne comprend pas les pompes vendues lorsqu'elles font partie d'un ensemble de systèmes).....	
2 ans	
<i>Siphons/Crépines en ligne.....</i>	
1 an	
<i>Filtres verticaux d'usage commercial - Réservoirs.....</i>	
10 ans	
Pièces internes	1 an
<i>Filtres horizontaux d'usage commercial - Réservoirs</i>	
5 ans	
(De 6 à 9 ans, au prorata, avec diminution de 20 % par année. Après 10 ans, au prorata, avec diminution de 10 % par année)	
Pièces internes	1 an

Les garanties stipulées dans les présentes ne sont valables que pour l'acheteur utilisateur d'origine («l'acheteur»). À sa seule discrétion, Sta-Rite pourra choisir de réparer ou de remplacer le produit défectueux. L'acheteur doit payer tous les frais de main-d'oeuvre et d'expédition nécessaires pour remplacer le produit couvert par cette garantie. Les demandes de service en vertu de la garantie doivent être faites auprès du vendeur installateur. Cette garantie n'est pas valable si le produit a été soumis à une négligence, à une mauvaise utilisation, à une mauvaise installation ou à un mauvais entretien, ou à toute autre circonstance indépendante de la volonté de Sta-Rite.

* La garantie totale est en vigueur pour une période d'un an après l'installation. La garantie au pro-rata couvre *uniquement le réservoir*, de la deuxième à la dixième année après l'installation. Le montant couvert diminue de 10 % chaque année (c.-à-d., couverture de 90 % la deuxième année, de 80 % la troisième année, etc.).

La présente garantie stipule la totalité des obligations de Sta-Rite et prescrit le seul recours possible de l'acheteur contre Sta-Rite, dans le cas où un produit s'avérerait défectueux.

STA-RITE NE PEUT ÊTRE TENUE RESPONSABLE D'AUCUN DOMMAGE INDIRECT.

LES PRÉSENTES GARANTIES SONT EXCLUSIVES ET REMPLACENT TOUTE AUTRE GARANTIE EXPRESSE. LES GARANTIES IMPLICITES, Y COMPRIS MAIS NON DE FAÇON LIMITATIVE CELLES DE QUALITÉ MARCHANDE OU D'ADAPTATION À UN USAGE PARTICULIER, NE DOIVENT PAS DÉPASSER LA DURÉE DES GARANTIES EXPRESSES APPLICABLES STIPULÉES DANS LES PRÉSENTES.

Certaines provinces ne permettent pas l'exclusion ou la limitation des dommages indirects ni la limitation de la durée de la garantie implicite; par conséquent, les limitations ou exclusions ci-dessus ne vous concernent peut-être pas. Cette garantie vous confère des droits légaux spécifiques et, peut-être, d'autres droits pouvant varier d'une province à l'autre.

La présente garantie annule et remplace toutes les garanties précédentes.

Sta-Rite Industries, Inc.
293 Wright Street, Delavan, WI 53115

▲ **Conserver le certificat de garantie (partie supérieure) dans un endroit sûr et pratique.**

▼ **DÉTACHER ICI :** Inscrire tous les renseignements demandés sur la partie inférieure et poster dans les 10 jours suivant l'achat/l'installation à :
Sta-Rite, à l'attention du Service de garantie, 293 Wright St., Delavan, WI 53115

STA-RITE®

Nom _____

Adresse _____

Ville _____ Province _____ Code postal _____

Date d'achat _____

Produit acheté _____

Nouvelle installation Remplacement

Type de piscine Creusée Vinyle Fibre de verre Gunite

Dimensions de la piscine _____

Fiche de la garantie

Années d'utilisation Moins d'un an 1 à 3 3 à 5 5 à 10

Produit acheté chez :
Nom de l'entreprise _____

Adresse _____

Ville _____ Province _____ Code postal _____

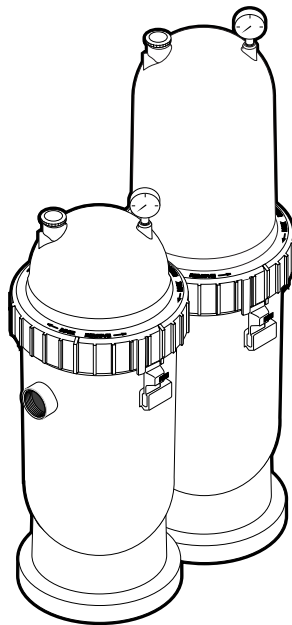
Veillez me faire parvenir d'autres renseignements concernant les produits Sta-Rite suivants.

- Pompes Filtres Balayeuses automatiques de piscine
 Matériel d'entretien Bandes d'essai
 Chauffe-piscine/spa Max-E-Therm

STA-RITE®

Filtros de cartucho Posi Clear™ Modelos PXC75, PXC95, PXC125 y PXC150

MANUAL DEL USUARIO



INSTALACIÓN, OPERACIÓN Y PARTES

E
N
G
L
I
S
H

F
R
A
N
Ç
A
I
S

E
S
P
A
Ñ
O
L



Este manual debe entregarse al usuario final de este filtro; su utilización reducirá el número de trabajos de servicio y las probabilidades de lesiones, y aumentará la vida del filtro.

Sta-Rite Pool/Spa Group

293 Wright Street, Delavan, WI 53115

Internacional: 262-728-5551, FAX: 262-728-7550

www.starite.com

Union City, TN • Delavan, WI • Mississauga, Ont. • Murrieta, CA

© 2003, Sta-Rite Industries, Inc.

Impreso en E.U.A.

S620 (Rev. 9/19/03)

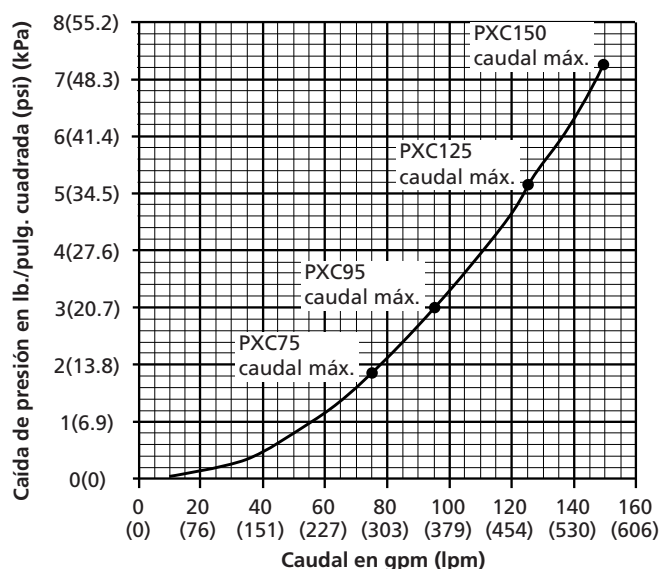
Índice

Especificaciones.....	2
Instrucciones de seguridad	3
Información General	3
Instalación	4
Arranque inicial	4
Desensamblaje/Ensamblaje del filtro	5
Procedimiento de limpieza del cartucho	6
Inspección del sistema / Preparación para el invierno....	6
Guía para la localización de fallas	7
Lista de refacciones para la reparación	8
Garantía.....	9

ESPECIFICACIONES

Tabla 1 - Dimensiones del filtro en pulgadas (mm)

Dimensiones	Modelo No.	
	PXC75 PXC95	PXC125 PXC150
A	36 (914)	51 (1,295)
B	31 (787)	40 (1,016)



Curva de caída de presión para todos los modelos PXC.

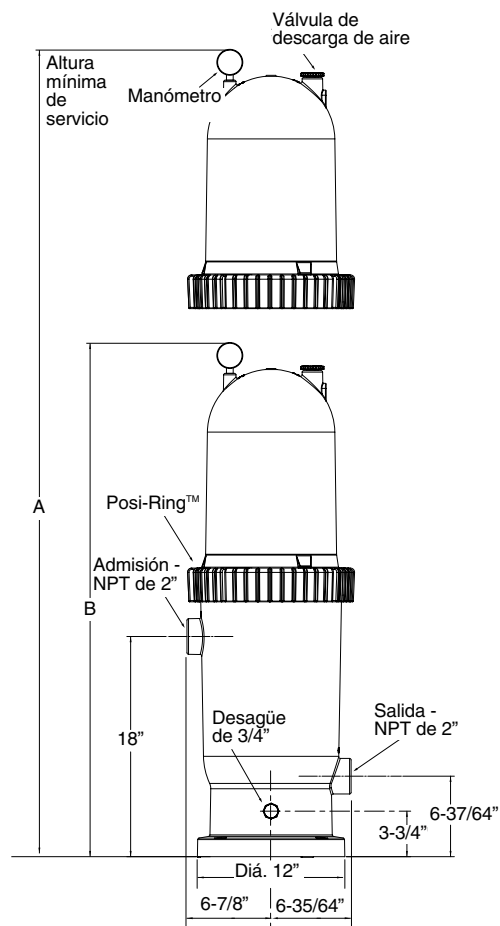



FIGURA 1 - Dimensiones en pulgadas (mm)


Tabla 2 - Especificaciones del filtro

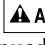
	Modelo No.			
	PXC75	PXC95	PXC125	PXC150
Área del filtro en pies cuadrados (metros ²)	75 (6.96)	95 (8.8)	125 (11.6)	150 (13.9)
Caudal residencial máximo en GPM (LPM)*	75 (284)	95 (360)	125 (473)	150 (568)
Caudal piscina pública máximo en GPM (LPM)	28 (106)	36 (132)	47 (177)	56 (212)
Máx. presión de operación en lb./pulg. ² (kPa)	50 (345)	50 (345)	50 (345)	50 (345)
Máx. temperatura continua del agua F (C)	104° (40°)	104° (40°)	104° (40°)	104° (40°)


* Listado por NSF para flujos en piscinas públicas solamente.

¡LEA Y SIGA LAS INSTRUCCIONES DE SEGURIDAD!

 Este es un símbolo de seguridad. Cuando vea este símbolo en su filtro o en este manual, busque una de las siguientes palabras y esté alerta a la probabilidad de lesiones personales.

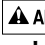
 **PELIGRO** advierte sobre riesgos que, si se ignoran, **provocarán** muerte, lesiones personales graves, o daños materiales considerables.

 **ADVERTENCIA** advierte sobre riesgos que, si se ignoran, **pueden** provocar muerte, lesiones personales graves, o daños materiales considerables.


 **PRECAUCIÓN** advierte sobre riesgos que, si se ignoran, **provocarán** o **pueden** provocar muerte, lesiones personales graves, o daños materiales considerables.


AVISO indica instrucciones especiales no relacionadas con riesgos.


Lea con atención y siga todas las instrucciones de seguridad contenidas en este manual o en la máquina. Mantenga las etiquetas de seguridad en buen estado; reemplace las etiquetas que falten o que se hayan estropeado.


 **ADVERTENCIA** **Presión peligrosa El equipo instalado o probado de manera incorrecta puede fallar, ocasionando lesiones o daños materiales graves.** Cuando instale y opere la máquina, lea y siga las instrucciones contenidas en el manual del propietario. Las pruebas de presión deben ser realizadas por un profesional experto en piscinas de natación.

 Bajo ninguna circunstancia conecte el filtro al aire comprimido.

 No conecte el sistema a un sistema de aguas municipales ni a otra fuente externa de agua a presión.

 No conecte el filtro a bombas capaces de sobrepasar el máximo de presión de 50 libras por pulgada cuadrada (345 kPa).

 Abra la válvula de descarga de aire para dejar salir todo el aire del sistema antes de hacerlo funcionar.

 **ADVERTENCIA** **Riesgo de caídas y lesiones.** La superficie del filtro es resbaladiza. No permita que los niños se paren o jueguen sobre el filtro.

INFORMACIÓN GENERAL

Cuando se debe limpiar el filtro: El cartucho de filtro se debe limpiar generalmente cuando la lectura del manómetro aumenta 10 lb./pulg. cuadrada (psi) por encima de presión de inicio.

En ciertas piscinas, es posible que, a medida que el filtro se ensucia, el impacto de la disminución normal del caudal en accesorios como fuentes o limpiadores de piscinas no sea evidente. Si es así, limpie el filtro con más frecuencia (es decir a un aumento de presión menor de 10 psi) para poder mantener el flujo requerido.

Limpie una piscina nueva de la mejor forma posible antes de llenarla y hacer funcionar el filtro.

Una instalación típica de piscina necesitará aproximadamente una semana para obtener y mantener el brillo que su filtro es capaz de otorgarle.

La presión máxima es de 50 psi (345 kPa). NO conecte el filtro a un sistema de aguas públicas ni a un sistema de pozos de agua individual.

El filtro de cartucho Sta-Rite ha sido diseñado solamente para filtrar agua para piscinas de natación y baños de inmersión. Si la instalación de la piscina es nueva, recomendamos lo siguiente:

1. Desarme el filtro después de la primera limpieza inicial. Siga el "Procedimiento para Desensamblar/Ensamblar el Filtro", en la página 5.
2. Quite y lave el cartucho con una manguera para eliminar los contaminantes.

Mantenga el pH del agua de la piscina entre 7.2 y 7.6.

Asegúrese de que Posi-Ring™ esté debidamente fijo en posición antes de hacer funcionar el filtro.

Mantenga el manómetro en buen estado de operación.

Cambie un manómetro averiado inmediatamente.

Los intervalos de limpieza se basan en el alza de presión, no en la cantidad de tiempo que se utilice el filtro. Los intervalos de limpieza normal dependerán de las condiciones diferentes del agua.

AVISO: Ciertos desinfectantes para piscinas puede obturar el cartucho del filtro. Para alargar la vida del cartucho y del filtro, siga al pie de la letra las instrucciones del fabricante del desinfectante cuando limpie la piscina o el filtro. Si hace caso omiso de esas instrucciones, podrá afectar la cobertura de la garantía del cartucho.

INSTALACIÓN

El montaje del filtro debe:

Proporcionar protección contra las condiciones climáticas y las heladas.

Proporcionar suficiente espacio e iluminación para permitir un acceso fácil para realizar trabajos de mantenimiento de rutina. (Consulte la Figura 1 para obtener los requisitos de espacio).

Proporcionar ventilación y desagüe para la bomba

Estar sobre una superficie razonablemente nivelada y con un drenaje adecuado.

El tubo de purga de aire debe ir adentro del aro piloto en la tapa.

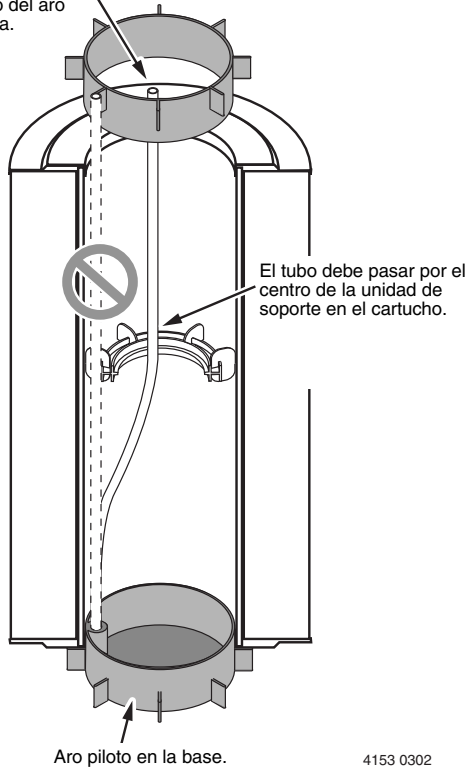


FIGURA 2 - Ensamble el tubo de purga de aire según la ilustración.

Tubería:

AVISO: Asegúrese de que el filtro y toda la tubería se puedan drenar para prepararlos para el invierno. Consulte la sección de "Preparación para el invierno" en la página 6.

AVISO: No apriete demasiado ya que puede rajar las aberturas de conducto del filtro.

Use cinta de teflón, Plasto-Joint Stik^{®1} o Silastic RTV No. 732[®] en todas las conexiones fileteadas de los tubos y accesorios de plástico. **NO use compuesto para tubos en el filtro, ya que podrá ocasionar rajaduras en las conexiones. No use compuestos selladores en las uniones - séquelas antes de ensamblarlas y apriételas a mano.**

Sostenga la tubería independientemente para evitar deformaciones en el filtro.

Mantenga la tubería hermética y sin fugas: las fugas en la línea de aspiración de la bomba pueden hacer que el aire quede atrapado en el tanque del filtro o que la bomba pierda cebadura.

¹ Lake Chemical Co., Chicago, IL

Conexiones eléctricas:

VERIFIQUE que la conexión a tierra de la bomba cumpla con las normas locales y las normas del National Electrical Code (Código Nacional de Normas de Electricidad). Todo el cableado y las conexiones a tierra de las máquinas deberán cumplir con las normas locales y las del National Electrical Code.

ARRANQUE INICIAL

⚠ Antes de comenzar el procedimiento de arranque verifique que la bomba esté apagada.

⚠ Nunca opere el filtro a más de 50 libras/pulgada² (345 kPa).

1. Trabe el Posi-Ring[™] firmemente en posición haciéndolo girar HACIA LA DERECHA hasta que haga "clic", después del pasador de seguridad (Consulte la Figura 3). Deje de girar en el momento en que el aro haga clic después del pasador. Es posible que el aro dé la sensación de estar flojo, pero se ajustará cuando la bomba esté encendida y el filtro se encuentre bajo presión.
2. Instale el manómetro y la válvula de descarga de aire (Consulte la figura 3) en la tapa del tanque.

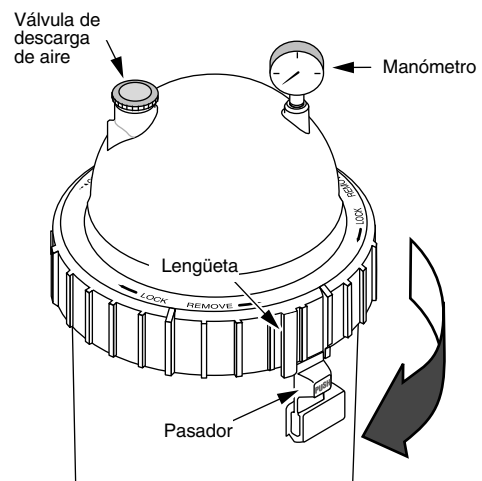


Figura 3 - Haga girar el Posi-Ring[™] hasta que la lengüeta quede trabada detrás del pasador de seguridad.

3. Llene el colector de la bomba con agua.
4. Abra la válvula de descarga de aire en la parte superior del filtro.
5. Abra las válvulas que separan el filtro del resto del sistema.
6. Encienda la bomba para purgar el aire del sistema.
7. Cierre la válvula de descarga de aire cuando el salga un chorro firme de agua de la misma.

AVISO: Fugas alrededor del Posi-Ring[™] pueden ser indicación de que el aro no está completamente trabado. En este caso, proceda de la siguiente manera:

- A. Detenga la bomba y abra la válvula de descarga de aire para liberar toda la presión dentro del filtro.
- B. Saque el tapón de desagüe y drene toda el agua del filtro.
- C. Haga girar el Posi-Ring[™] hacia la derecha hasta que se trabe detrás del pasador de seguridad (Consulte la Figura 3).

- D. Si el aro ya estaba trabado, sáquelo y saque la unidad de la tapa del filtro. Inspeccione y limpie el aro tórico y todas las superficies de estanqueidad. Si es necesario, vuelva a lubricar el aro tórico.

AVISO: Lubrique el área de estanqueidad del aro tórico dentro del borde del tanque superior con grasa de silicona, ya que otro tipo de lubricante podría hacer que el aro se hinche. NO lubrique el Posi-Ring™ ni las roscas del casco del tanque ya que pueden acumular polvo y dificultar la remoción.

Una vez que el filtro esté funcionando, anote la lectura del manómetro del filtro en el manual del propietario para referencia futura.

PROCEDIMIENTO DE DESENSAMBLAJE / ENSAMBLAJE DEL FILTRO

Antes de desensamblar el filtro:

1. **DETENGA LA BOMBA.**
2. **ABRA** la válvula de descarga de aire y drene el accesorio.
3. **ESPERE** hasta que se haya descargado toda la presión y se haya drenado el agua del tanque de filtrado y del sistema antes de aflojar el Posi-Ring™.

Desensamblaje:

1. Detenga la bomba.
2. Abra la válvula de descarga de aire en la parte superior del tanque de filtrado para descargar toda la presión de aire del interior del tanque.
3. Saque el tapón de desagüe del filtro y drene toda el agua del tanque.
4. Saque la unidad de la tapa del filtro de la siguiente manera:
 - a. Oprima el pasador de seguridad (debajo del aro) hacia el tanque para soltarlo. (Consulte la Figura 4)

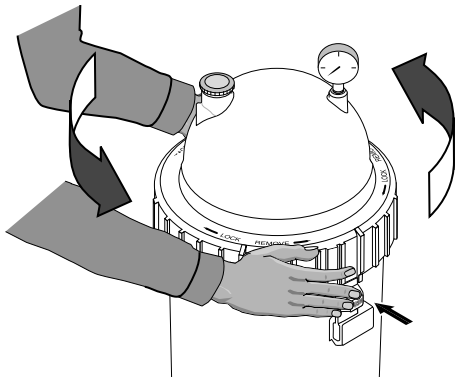


Figura 4 - Presione sobre el pasador de seguridad para destornillar el Posi-Ring™.

- b. Mantenga el pasador en la posición desenganchada y gire el aro HACIA LA IZQUIERDA para sacarlo. Si tiene dificultad en hacer girar el aro, golpetee delicadamente con un martillo de caucho para desprender la resistencia inicial.

5. Verifique que el aro tórico no tenga cortes, rajaduras, deformación o señales de desgaste; reemplace si fuese necesario.

AVISO: No saque el aro tórico a menos que sea necesario reemplazarlo. Para sacarlo, engánchelo y sáquelo de su canaleta con un trozo curvo y rígido de alambre introducido en la ranura de acceso pequeña que se encuentra en la parte inferior de la unidad de la tapa del tanque.

PASADOR DE SEGURIDAD

La finalidad del pasador de seguridad es sostener el Posi-Ring™ en la posición trabada. Si el pasador está averiado, reemplácelo de la siguiente manera:

1. Presione hacia arriba la traba pequeña en la parte inferior del pasador de seguridad y oprima o golpetee el pasador para sacarlo de la ranura en el tanque.
2. Deslice el nuevo pasador en posición hasta que se enganche correctamente.

AVISO: NO opere el filtro si el pasador de seguridad está averiado, de lo contrario no mantendrá el Posi-Ring™ en la posición trabada.

Ensamblaje:

1. Inspeccione y limpie el tanque, las roscas del aro y la canaleta del aro tórico. Reemplace las piezas averiadas si fuese necesario.
2. Instale el cartucho del filtro en el tanque. Presione firmemente para sellarlo.

AVISO: Lubrique el área de estanqueidad del aro tórico dentro del borde del tanque superior con grasa de silicona, ya que otro tipo de lubricante podría hacer que el aro se hinche. NO lubrique el Posi-Ring™ ni las roscas del casco del tanque ya que pueden acumular polvo y dificultar la remoción.
3. Instale el aro tórico en la canaleta del aro tórico en la unidad de la tapa del tanque. Verifique que el aro tórico esté limpio y no quede torcido.

AVISO: No saque el aro tórico a menos que deba reemplazarlo.
4. Coloque el Posi-Ring™ debidamente sobre las roscas del casco del tanque y hágalo girar HACIA LA DERECHA hasta que quede enganchado firmemente
5. Siga las instrucciones en la sección de "Arranque inicial" de este manual.

PROCEDIMIENTO DE LIMPIEZA DEL CARTUCHO

Cuándo se debe limpiar el filtro: El cartucho del filtro generalmente se debe sacar y limpiar cuando la lectura del manómetro aumenta 10 psi (69 kPa) por encima de la presión de inicio.

Siga todos los pasos de la sección de “Desensamblaje” de este manual. (Página 5).

AVISO: Cuando desinfecte su piscina con limpiadores PHMB (polihexametileno bicuanide), use *solamente* limpiadores PHMB para limpiar el cartucho a fondo. Cuando use desinfectantes PHMB, DEBERÁ limpiar el cartucho del filtro más detalladamente y con más frecuencia que en una piscina que use cloro. Sigas las instrucciones del fabricante al pie de la letra. El uso de otro tipo de productos de limpieza con desinfectantes de piscinas PHMB anulará la garantía del filtro.

1. Saque la tapa de desagüe y enjuague todo el material foráneo del interior del tanque antes de retirar el cartucho del filtro.
2. Deje drenar el tanque.
3. Saque el cartucho y límpielo bien con una manguera. Atomice toda la superficie del cartucho. Deje drenar el cartucho.
4. Inspeccione el cartucho. Si es necesario, repita la operación de lavado. Reemplace el cartucho si lo encuentra averiado.
5. Siga todos los pasos en las secciones de “Ensamblaje” (Página 5) y “Arranque inicial” (Página 4) de este manual.

AVISO: Cuando ya no pueda limpiar debidamente el cartucho con este procedimiento, descártelo y reemplácelo por uno nuevo.

INSPECCIÓN DEL SISTEMA

General:

AVISO: NO use solventes para limpiar el filtro; los solventes pueden dañar los componentes de plástico del sistema.

AVISO: Cada vez que detenga y vuelva a encender la bomba, abra la válvula de descarga de aire y purgue todo el aire del filtro.

Inspección semanal:

1. Elimine la suciedad de la cesta de la espumadera de la piscina.
2. Detenga la bomba; abra la válvula de descarga de aire para descargar toda la presión.
3. Retire la tapa y la cesta del colector; limpie la suciedad.
4. Verifique que la bomba no tenga fugas. En caso de existir fugas, consulte el manual del usuario de la bomba.
5. Vuelva a colocar la cesta y la tapa del colector. Apriete la tapa a mano con firmeza. NO use una llave para tapas para apretarla.
6. Encienda la bomba. Cierre la válvula de descarga de aire del filtro cuando salga un chorro firme de agua de esta válvula.
7. Cuando el sistema recupere su funcionamiento normal, verifique la presión del filtro. Si la presión del filtro es de 10 libras/pulgada² (69 kPa) o mayor que la presión de arranque inicial, el filtro requiere limpieza. Consulte el “Procedimiento para la Limpieza del Cartucho”, a la izquierda.

PREPARACIÓN PARA EL INVIERNO

AVISO: Proteja el filtro de las heladas. Si permite que el filtro se congele, éste se puede dañar y la garantía ya no será válida.

Si es posible, guarde el sistema bajo techo.

1. Antes de la preparación para el invierno, limpie el filtro según las instrucciones (a la izquierda).
2. Detenga la bomba.
3. Abra la válvula de descarga de aire; abra todas las válvulas del sistema.
4. Saque los tapones de desagüe del colector, de la bomba y del filtro.
5. Drene el sistema por gravedad hasta donde sea posible.
6. Desarme el filtro (siga las instrucciones de la Sección “Desensamblaje del Filtro”, página 5). Saque el cartucho del filtro y guárdelo en un lugar tibio y seco.
7. Cubra el filtro con plástico o lona impermeabilizada para impedir la entrada del agua y el congelamiento.

GUÍA PARA LA LOCALIZACIÓN DE FALLAS

1. Ciclos cortos:

AVISO: La duración de los ciclos varía según cada instalación y la zona del país. Los siguientes problemas y sus soluciones son para ciclos más cortos de lo normal para su zona.

- A. Residuo de cloro muy bajo; mantenga un residuo adecuado (consulte con un experto en piscinas para que lo asista).
- B. El cartucho del filtro está sucio u obturado; limpie bien el filtro (consulte el punto No. 4, "Cartucho obturado" y el "Procedimiento de Limpieza del Cartucho", página 6)
- C. El agua no tiene el balance químico adecuado; consulte con un experto en piscinas.
- D. Algas en la piscina. Aplique una dosis alta de cloro o algicida según lo recomiende el fabricante de la piscina.
- E. Reemplace el cartucho.

2. Bajo Flujo/Alta Presión:

- A. Cartucho obstruido; limpie bien el filtro (consulte la Página 6).
- B. Tubería tapada en el tramo de aguas abajo; elimine la obstrucción.
- C. Tubería muy pequeña; instale una tubería más grande (consulte con el distribuidor del filtro para que lo asesore).

3. Bajo Flujo/Baja Presión:

- A. Bomba obstruida o cabellos o pelusa atorados en el colector; limpie bien.

4. Cartucho Obstruido:

- A. Limpieza insuficiente; siga al pie de la letra las instrucciones de limpieza y limpie perfectamente (consulte la página 6).
- B. El agua no tiene el balance químico apropiado; consulte con un técnico en servicio para piscinas.
- C. Exceso de aire en el filtro. Ventile el aire del tanque y verifique que la tubería de aspiración de la bomba no tenga fugas. Limpie el tubo de purga de aire en la unidad del cartucho.

D. El agua de la piscina contiene hierro; consulte con un técnico de servicio para piscinas.

E. Aplicación excesiva o incorrecta de tabletas de cloro en polvo usando un aglomerante. Consulte a un experto en piscinas.

F. Algas en la piscina. Aplique una dosis alta de cloro o algicida según las recomendaciones del fabricante de la piscina.

G. Uso incorrecto de sustancias químicas con desinfectantes PHMB. Reemplace el cartucho del filtro.

H. Reemplace el cartucho.

5. El agua de la piscina está sucia:

A. Residuo de cloro muy bajo; mantenga el residuo de cloro apropiado (consulte con un experto en piscinas para que lo asista).

B. El cartucho del filtro está desgarrado, obturado o perforado; reemplace el cartucho.

C. El agua de la piscina contiene hierro; consulte a un experto en piscinas.

D. Aplicación excesiva o incorrecta de tabletas de cloro en polvo usando un aglomerante. Consulte a un experto en piscinas.

E. Algas en la piscina. Aplique una dosis alta de cloro o algicida según la recomendación del fabricante de la piscina.

F. Reemplace el cartucho.

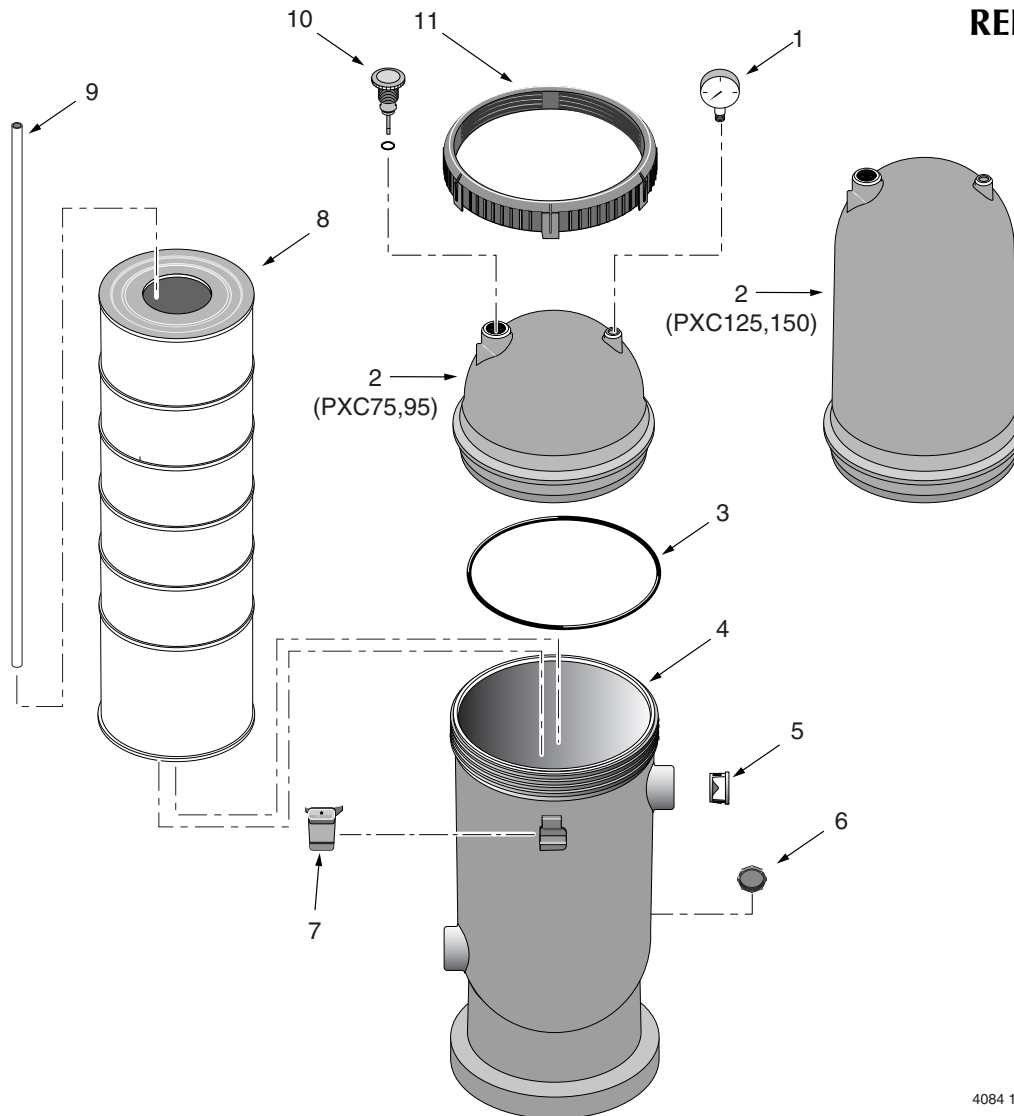
6. El limpiador de la piscina deja de funcionar:

A. Limpie el filtro y observe el funcionamiento del limpiador de piscinas.

B. Si el limpiador de piscinas funciona mejor después de limpiar el filtro, limpie el filtro con más frecuencia (es decir, limpie el filtro cuando el aumento de presión sea menor que 10 libras/pulgada²).

REFACCIONES PARA LA REPARACIÓN

PXC75
PXC95
PXC125
PXC150



4084 1001

No. de Clave	Descripción	Cant.	PXC75	PXC95	PXC125	PXC150
1	Manómetro	1	15060-0000T	15060-0000T	15060-0000T	15060-0000T
2	Unidad de tapa del filtro*	1	25230-0102S	25230-0102S	25230-0103S	25230-0103S
3	Aro tórico del tanquet	1	25230-0010S	25230-0010S	25230-0010S	25230-0010S
4	Cuerpo del tanque	1	25230-0001S	25230-0001S	25230-0001S	25230-0001S
5	Deflector de agua	1	25230-0006	25230-0006	25230-0006	25230-0006
6	Tapa de desagüe con empaquetadura	1	32185-7074	32185-7074	32185-7074	32185-7074
7	Pasador de seguridad	1	25200-0007	25200-0007	25200-0007	25200-0007
8	Cartucho del filtro	1	25230-0075S	25230-0095S	25230-0125S	25230-0150S
9	Tubo de purga de aire	1	25230-0007	25230-0007	25230-0008	25230-0008
10	Válvula de descarga de aire con aro tórico	1	24206-0103S	24206-0103S	24206-0103S	24206-0103S
11	Aro de fijación (no se vende por separado)	1	-	-	-	-

* Incluye las claves Nos. 2, 3 y 11.

† Incluye grasa de silicona.

GARANTÍA LIMITADA STA-RITE

Las bombas, filtros, espumaderas, las luces subacúeos (salvo focos), accesorios y aditamentos manufacturados por Sta-Rite están garantizados contra defectos de materiales y mano de obra durante un período de un (1) año a partir de la fecha de instalación.

Garantías específicas del producto: **Años desde la fecha de instalación**

<i>HRPB, DEPB, Systema 3, Systema 2 y Posi-Clear</i>	
Tanques	10 años
Componentes y válvulas de filtro interno	1 año
<i>Max-E-Therm - Calentadores para piscinas/baños termales</i>	
Caja del calentador solamente (caja derecha e izquierda superior) caja inferior y caja del tablero de control.....	10 años
<i>Limpiadores automáticos para piscinas, incluyendo la manguera</i>	
Filtros Cristal-Flo - Tanques	10 años prorrateados*
Válvula y componentes internos.	1 año
<i>Posi-Flo II - Tanques</i>	
Elementos	1 año
<i>Cartucho PRC -</i>	
Tanques de filtración	5 años prorrateados (primeros 2 años total)
Elementos	1 año
<i>Sistemas de superficie - System 2 - Tanques</i>	
Bombas/Plataforma y elementos internos	1 año
<i>Bombas</i>	
Quando vienen equipadas con motores de 2 compartimientos A.O. Smith (no incluye las bombas vendidas como parte de un paquete de sistema)	2 años
<i>Colectores/cestas de aspiración directa.....</i>	
Filtro comercial vertical - Tanques.....	10 años
Elementos internos.....	1 año
<i>Filtro comercial horizontal - Tanques.....</i>	
(Años 6-9, prorrateados disminuyendo 20%/año, Año 10 - 10%)	5 años
Elementos internos.....	1 año

Las garantías antes descritas sólo se aplican al comprador consumidor original ("Comprador"). Sta-Rite tendrá la opción de reparar o reemplazar, a su discreción, el producto que demuestre tener defecto. Los compradores deben pagar todos los costos de mano de obra y embarque necesarios para reemplazar el producto cubierto bajo esta garantía. Las solicitudes de servicio bajo garantía deben hacerse a través del representante que hizo la instalación. Esta garantía no se aplica para productos que hayan sido objeto de negligencia, aplicación, instalación o mantenimiento indebidos, o de otras circunstancias que estén fuera del control directo de Sta-Rite.

*La cobertura completa de la garantía tiene vigencia de un año a partir de la fecha de instalación. La garantía prorrateada cubre solamente el tanque durante el segundo al décimo año después de la instalación. El monto cubierto disminuye un 10% cada año. (Por ejemplo, cobertura segundo año 90%, cobertura tercer año 80%, etc.).

Esta garantía establece la obligación única de Sta-Rite y el remedio exclusivo para el comprador en caso de que productos defectuosos.

STA-RITE NO SERÁ RESPONSABLE POR CUALQUIER DAÑO CONSECUCIONAL, INCIDENTAL O CONTINGENTE.

LAS GARANTÍAS ANTES DESCRITAS SON EXCLUSIVAS Y EN LUGAR DE TODA OTRA GARANTÍA. LAS GARANTÍAS EXPRESAS O IMPLÍCITAS, INCLUYENDO PERO NO RESTRINGIDAS A LAS GARANTÍAS IMPLÍCITAS DE BUENA CALIDAD Y CONDICIÓN PARA FINES ESPECÍFICOS, NO TENDRÁN UNA VIGENCIA MAYOR A LA DURACIÓN DE LAS GARANTÍAS EXPRESAS APLICABLES AQUÍ OTORGADAS.

Algunos estados no permiten la exclusión o limitación de daños o limitaciones incidentales o consecuenciales en lo que respecta la duración de una garantía implícita, por lo que las limitaciones o exclusiones arriba indicadas pueden no ser aplicables en su caso. Esta garantía le otorga a usted derechos legales específicos y también puede tener otros derechos que varían según el estado.

Substituye todas las publicaciones anteriores.

Sta-Rite Industries, Inc.
293 Wright Street
Delavan, WI 53115

▲ **Conserve el Certificado de Garantía (parte de arriba) para su archivo en un lugar seguro y conveniente.**

CORTE AQUÍ: Complete la parte de abajo y envíela dentro de los primeros 10 días a partir de la fecha de compra/instalación a:
Sta-Rite, At'n: Warranty Dept., 293 Wright St., Delavan, WI 53115

STA-RITE®

Tarjeta de Registro de Garantía

Nombre _____

Años de servicio de la alberca menos de 1 1-3 3-5 5-10

Dirección _____

Comprado a:
 Nombre de la compañía _____

Ciudad _____ Estado _____ Código Postal _____

Dirección _____

Fecha de compra _____

Ciudad _____ Estado _____ Código Postal _____

Producto comprado _____

Instalación nueva Reemplazo

Por favor envíeme mas información sobre estos y otros productos Sta-Rite.

Tipo de alberca Enterrada Vinilo Fibea de vidrio Gunlite

Bombas Filtros Limpiadores automáticos de albercas
 Equipo de mantenimiento Tiras para pruebas
 Calentadores para piscinas/bañeras térmicas

Tamaño de la alberca _____

