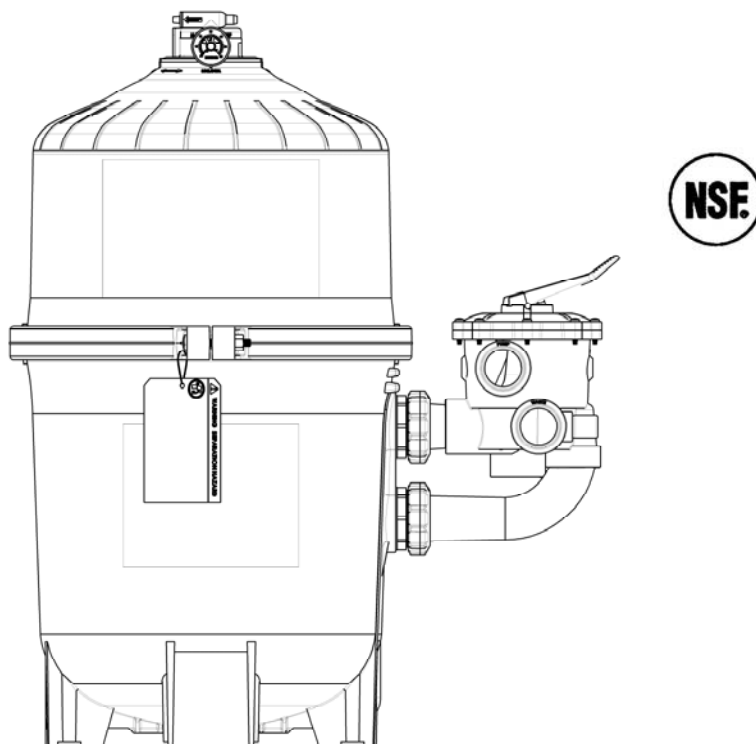


INSTALLATION, OPERATION, & PARTS



PRO-GRID VERTICAL DE FILTER SERIES

MODEL	EFFECTIVE FILTRATION RATE		DESIGN FLOW RATE		RECOMMENDED AMOUNT OF D.E.	
	FT ²	M ²	GPM	LPM	LBS	KGS
DE2420	24	2.2	48	182	3.0	1.4
DE3620	36	3.4	72	273	4.5	2.0
DE4820	48	4.5	96	363	6.0	2.7
DE6020	60	5.6	120	454	7.5	3.4
DE7220	72	6.7	144	545	9.0	4.0

MAXIMUM WORKING PRESSURE FOR ALL MODELS 50 PSI (3.45 BAR)

ATTENTION INSTALLER: THIS MANUAL CONTAINS IMPORTANT INFORMATION ON THE OPERATION, AND SAFE USE OF THIS EQUIPMENT. THIS MANUAL IS INTENDED FOR THE END USER OF THIS PRODUCT

USE ONLY HAYWARD GENUINE REPLACEMENT PARTS

▲ This is the safety-alert symbol. When you see this symbol on your equipment or in this manual, look for one of the following signal words and be alert to the potential for personal injury or death.

▲ **WARNING** Warns about hazards that **could** cause serious personal injury or death, and if ignored presents a potential hazard.

▲ **CAUTION** Warns about hazards that **will** or **can** cause minor or moderate personal injury and if ignored presents a potential hazard. It can also make consumers aware of actions that are unpredictable and unsafe. The **NOTICE** label indicates special instructions that are important but not related to hazards.



▲ **READ, UNDERSTAND, AND FOLLOW ALL SAFETY AND OPERATION INSTRUCTIONS. FAILURE TO FOLLOW SAFETY AND OPERATION INSTRUCTIONS CAN RESULT IN SEVERE PERSONAL INJURY OR DEATH.**

▲ **CAUTION** To reduce risk of injury, do not permit children to use or climb on this product. Closely supervise children at all times. The ANSI/NSPI-4 Standard (above-ground and on-ground pools) advises that components such as the filtration system, pumps, and heaters be positioned to prevent their being used as a means of access to the pool by young children.



▲ **WARNING COMPONENT SEPARATION HAZARD**

Pool and spa water circulation systems operate under hazardous pressure during start up, normal operation, and possibly after pump shut off. Pressure in system can cause explosive component separation of the upper filter body if safety and operation instructions are not followed. Severe personal injury or death can result.

▲ **This product should be installed and serviced only by a qualified pool professional. TO AVOID COMPONENT SEPARATION**

- Follow all safety and operation instructions.
- Do not operate water circulation system if a system component is assembled improperly, damaged, missing, or not a genuine Hayward component.
- Before performing maintenance on the water circulation system, verify all system and pump controls are in OFF position and filter manual air relief valve is in the OPEN position.
- Use ONLY Hayward clamp system components: DEX2421JKIT clamp assembly, DEX2421J2 nut/bolt assembly, and a DEX2422Z2 metal reinforced seal.
- Non-Hayward components may fail in use and cause explosive separation.
- Never rely on hand tightening the clamp nut to the clamp bolt. Using a 3/4" socket on a torque wrench, torque clamp nut and clamp bolt to 150 inch-lbs.
- Before starting system pump, insure filter manual air relief valve body is in LOCK position in filter upper body.
- Before starting the system pump, verify that all system valves are set in a position to allow water from the filter to return back to the pool.
- Before starting the system pump, the manual air relief valve must be in the OPEN position.
- When starting pump, do not stand over or near filter.
- If water leakage appears in the area of the filter tank clamp, immediately turn off all system circulation pumps and electrical power. Do not return to the filter until all water flow has stopped. Reassemble the clamp system per the instructions in this owner's manual to stop the leak.
- Return to filter to close manual air relief valve only when a steady stream of water (Not air or air and water mix) is discharged from the manual air relief valve.
- Do not change filter control valve position while system pump is running.



▲ **WARNING EXCESS PRESSURE HAZARD**

Pressure testing of the pump and filter system in excess of the 50 PSI can cause explosive separation of the components. Component separation can result in severe personal injury or death.

▲ **WARNING ELECTROCUTION HAZARD**

High Voltage electricity is present in the pool and spa equipment. High voltage electricity can cause shock and electrocution. Shock and electrocution can result in severe personal injury or death.



- All electrical wiring MUST be in conformance with applicable local codes, regulations and the National Electrical Code (NEC).
- Before performing any service or maintenance on electrical equipment turn off all electrical power.
- Contact a licensed electrician or building inspector for information on local electrical codes for bonding requirements.
- Verify water discharge from the filter manual air relief valve is directed away from electrical devices.
- Do not locate pump controls over or near filter.

USE ONLY HAYWARD GENUINE REPLACEMENT PARTS



⚠️ WARNING – SUCTION ENTRAPMENT HAZARD.

Suction in suction outlets and/or suction outlet covers that are, damaged, broken, cracked, missing, or unsecured can cause severe injury and/or death due to the following entrapment hazards:



Hair Entrapment- Hair can become entangled in suction outlet cover.

Limb Entrapment- A limb inserted into an opening of a suction outlet sump or suction outlet cover that is damaged, broken, cracked, missing, or not securely attached can result in a mechanical bind or swelling of the limb.



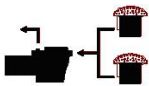
Body Suction Entrapment- A negative pressure applied to a large portion of the body or limbs can result in an entrapment.



Evisceration/ Disembowelment Entrapment- A negative pressure applied directly to the intestines through an unprotected suction outlet sump or suction outlet cover that is, damaged, broken, cracked, missing, or unsecured can result in evisceration/ disembowelment entrapment.

Mechanical Entrapment- There is potential for jewelry, swimsuit, hair decorations, finger, toe or knuckle to be caught in an opening of a suction outlet cover resulting in mechanical entrapment.

TO REDUCE THE RISK OF ENTRAPMENT HAZARDS:



- A minimum of two functioning suction outlets per pump must be installed. Suction outlets in the same plane (i.e. floor or wall), must be installed a minimum of three feet (3') [.94 meter] apart, as measured from near point to near point.
- Dual suction outlets shall be placed in such locations and distances to avoid “dual blockage” by a user.
- Dual suction outlets shall not be located on seating areas or on the backrest for such seating areas.
- The pool or spa circulation system shall be designed to comply with ANSI/APSP-7 2006.
- Suction outlet covers shall conform to ANSI/ASME A112.19.8
- Never use Pool or Spa if any suction outlet component (cover/grate) is damaged, broken, cracked, missing, or not securely attached.
- Immediately replace damaged, broken, cracked, missing, or not securely attached suction outlet components.
- The CPSP as well as the ICC *International Residential Code* Part IX, Appendix G, Section AG106 specifies the installation of a safety vacuum release system conforming to ASME A112.19.17, or an approved gravity drain system.
- Failure to remove pressure test plugs and/or plugs used in winterization of the pool/spa from the suction outlets can result in an increased potential for suction entrapment.
- Failure to keep suction outlet components clear of debris, such as leaves, dirt, hair, paper and other material can result in an increased potential for suction entrapment.

Suction outlet covers and grates have a finite life. They should be inspected frequently and replaced within specified life.

USE ONLY HAYWARD GENUINE REPLACEMENT PARTS

GENERAL INFORMATION

Your **Hayward Pro-Grid™** Vertical Grid D.E. Filter combines superior water filtration with ease of operation and totally corrosion-free construction. It uses diatomaceous earth (D.E.), which is the most efficient dirt remover and filter medium known.

The D.E., which is usually fed through the skimmer at initial start-up, uniformly coats the curved vertical filter elements that are covered with a custom fitted monofilament polypropylene filter cloth. As pool water is pumped through the control valve into the bottom of the filter tank, the D.E. surface, or coating, filters out even the minutest particles resulting in clear, clean, sparkling water.

After a period of time, the accumulated dirt in the filter causes a resistance to flow, the pressure rises, and flow diminishes. This means the dirt holding capacity of the D.E. has been reached, and it is time to clean (backwash) your filter. With the control valve in the back wash position, the water is automatically reversed through the filter, flushing trapped dirt, debris and D.E. out the waste line. Once the filter is backwashed (cleaned) of D.E. and dirt, the control valve is manually re-sequenced to filter position and a fresh charge of D.E. is added to resume normal filtering.

	A		REQUIRED CLEARANCE			
			"B" SIDE		"C" ABOVE	
	IN	CM	IN	CM	IN	CM
DE2420	32.0	81	18	46	15	38
DE3620	34.1	87	18	46	16	41
DE4820	40.1	102	18	46	18	46
DE6020	46.1	107	18	46	22	56
DE7220	52.0	132	18	46	25	63

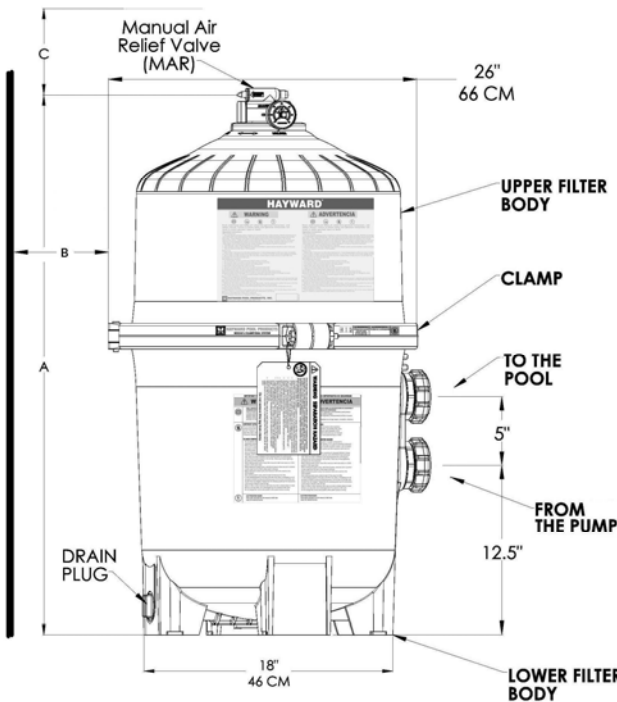
INSTALLATION

⚠ WARNING



⚠ This product should be installed and serviced only by a qualified professional.

Only simple tools (screwdriver and wrenches), plus pipe sealant for plastic adapters, are required to install and/or service the filter.



1. The filter system should be installed on a level concrete slab or other rigid base. Select a well drained and vented area, one that does not flood when it rains. Position the filter so that the piping connections, and winter drain are convenient and accessible for operation, service, maintenance and winterizing.
2. Position filter so the filter will drain by gravity.
3. If practical, place pump and filter in the shade to shield it from continuous, direct heat from the sun.
4. Assemble appropriate Filter Control valve (See Page 10 for selection) to filter. Lubricate the O-ring first (we recommend using Jack's 327 Lubricant). Align the two (2) valve pipe connections, with O-rings in place, with the two openings in the side of the filter tank and press in firmly. Secure the assembly to the tank connections with the two bulkhead lock nuts. Do not over-tighten.
5. Connect the pool suction plumbing between the skimmer, pool outlet and the pump.
6. Install the pool return plumbing.
7. If pressure gauge is not installed, apply Teflon tape to the gauge threads and carefully screw the gauge into the gauge adapter assembly.
8. Do not locate pump controls over or near filter.
9. Verify water discharge from the filter manual air relief valve is directed away from electrical devices

USE ONLY HAYWARD GENUINE REPLACEMENT PARTS

STARTING THE PUMP and FILTER SYSTEM

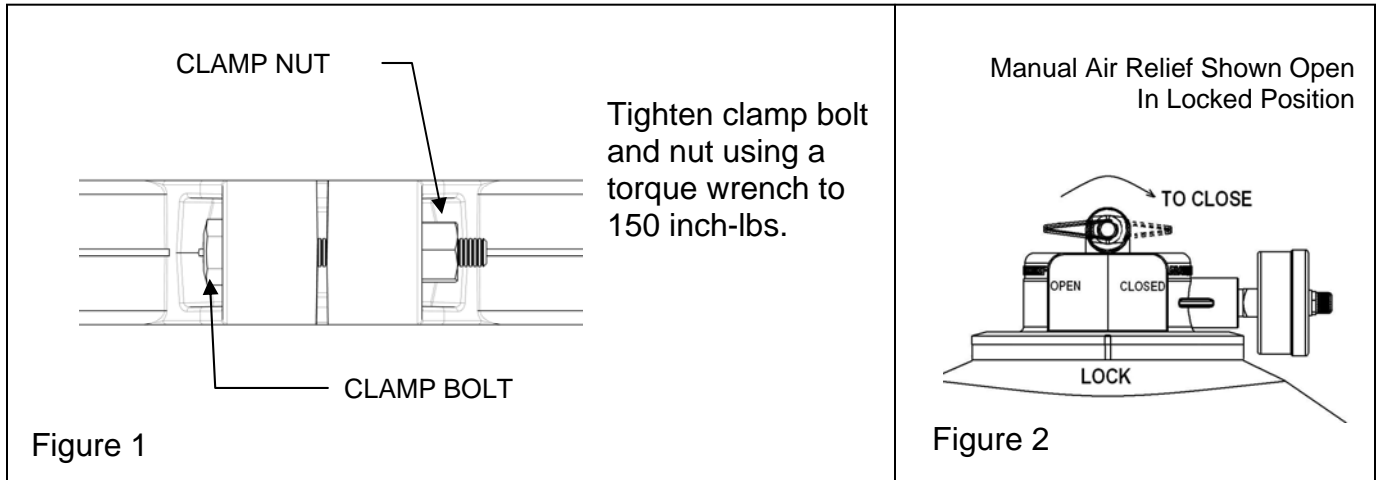


Before Starting the Pump

1. Use ONLY Hayward clamp system components; DEX2421JKIT clamp system, DEX2421J2 nut/bolt assembly, DEX2422Z2 metal reinforced seal. Non-Hayward clamp components may fail in use and cause explosive component separation. Verify that upper and lower filter bodies are properly secured with the filter body clamp. Never rely on hand tightening the clamp nut to the clamp bolt. Using a 3/4" socket on a torque wrench, torque clamp nut to clamp bolt to 150 inch-lbs. Verify that the filter manual air relief body is in the LOCK position, and no filter components are missing, damaged or not genuine Hayward components. (See Fig 2)
2. Close filter drain. Note: Filter plug requires an o-ring seal. (See Fig 4)
3. Open all system valves to allow water from the pool to the filtration system and from the filter to return to the pool.
4. Place the manual air relief valve in OPEN position. (See Fig 2)

Starting Pump

1. When starting system pump, do not stand over or near filter. If water leakage appears at filter tank clamp, immediately turn off all system circulation pumps and all electrical power. Do not return to the filter until all water leakage has stopped. Reassemble the clamp system per the instructions on page 7 in this owner's manual to stop leak.
2. Return to filter to CLOSE manual air relief valve only when a steady stream of water (not air or, air and water mix) is discharged from the manual air relief valve.
3. To avoid damages to the grid elements, DO NOT operate the filter for more than a minute or two without the D.E. pre-coat.



Pre-Coating

Add the correct amount of D.E. (see specifications on the front page of this manual or on the filter label) into the system through the skimmer – as fast as the plumbing will take it. Record the pressure gauge reading after the D.E. has been added. This is the “pre-coat” or “clean” pressure.

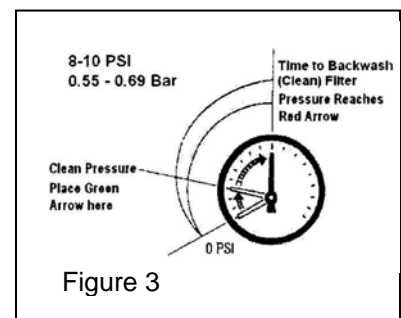
OPERATION



FILTERING

Filtration starts as soon as the filter has been pre-coated. As the filter removes dirt from the pool water, the accumulated dirt causes a resistance to flow. As a result, the gauge pressure will rise and the flow will decrease. When the pressure rises 8-10 psi (.55-.69 bar) above the pre-coat pressure, it is time to backwash (clean) the filter. Once your filter is running and there is a pressure reading, line up the green arrow with the current reading. (See Fig 3) When the pressure rises to or above the red or second arrow, it is time to clean your filter.

Note: During initial clean-up of the pool, particularly with a new pool or a very dirty pool, it may be necessary to backwash more frequently due to the heavy initial dirt load in the water.



USE ONLY HAYWARD GENUINE REPLACEMENT PARTS

▲ To prevent unnecessary strain on piping system and valves, always shut off pump before switching Filter Control Valve positions.

FILTER CONTROL VALVE FUNCTIONS

Six-Position Vari-Flo™ Filter Control Valve SP0710XR50 or SP0715XR50

- (A) **FILTER** – Set valve to FILTER for normal filtering. Also use for regular Vacuuming.
- (B) **BACKWASH** –
 - a. Shut off the pump.
 - b. Set Filter Control Valve to **BACKWASH**.
 - c. Start Pump and backwash approximately two minutes, or until water out waste line appears clean.
 - d. Shut off pump.
 - e. Set Control Valve to **RINSE**.
 - f. Start pump and operate for 20 seconds.
 - g. Shut off pump.
 - h. Set Filter control valve to **FILTER**.
 - i. Proceed as in **Pre-Coating** to add fresh D.E.
- (C) **RINSE** – Water Flows through the filter the same as in FILTER position, except that the water goes to WASTE. An optimal position used for pre-coating if a large cloud (pre-coat puff) is observed returning to pool during the pre-coating process.
- (D) **WASTE** – To bypass filter for draining or lowering water level and for vacuuming heavy debris directly to WASTE.
- (E) **RECIRCULATE** – Water is re-circulated through the pool system, bypassing the filter.
- (F) **CLOSED** – Shuts off flow from pump to filter.

Four Position Selecta-Flo™ Filter Control Valve SP0740DE

- (A) **FILTER**– Set valve to FILTER for normal filtering. Also use for regular Vacuuming.
- (B) **WASTE**– To bypass filter for draining or lowering water level and for vacuuming heavy debris directly to WASTE.
- (C) **BACKWASH**–
 - a. Shut off the pump.
 - b. Set Filter Control Valve to **BACKWASH**.
 - c. Start Pump and backwash approximately two minutes, or until water out waste line appears clean.
 - d. Shut off pump
 - e. Set Filter control valve to **FILTER**.
 - f. Proceed as in **Pre-Coating** to add fresh D.E.
- (D) **POOL OR SPA BOOST** - Water is re-circulated through the pool system, bypassing the filter.

Two-Position Slide Valve SP0410X502S

- (A) **FILTER** – Set Valve to FILTER for normal filtering. Also use for vacuuming (Handle in Down position).
- (B) **BACKWASH** –
 - a. Shut off the pump.
 - b. Set valve to **BACKWASH** (UP position).
 - c. Start Pump and backwash approximately two minutes, or until water out waste line appears clean.
 - d. Shut off pump
 - e. Set Filter control valve to **FILTER** (DOWN Position).
 - f. Proceed as in **Pre-Coating** to add fresh D.E. for cleaning filter (Handle in Up position)

MANUAL CLEANING

▲ Before manually cleaning the filter, backwash by following BACKWASHING instructions under each type of valve.

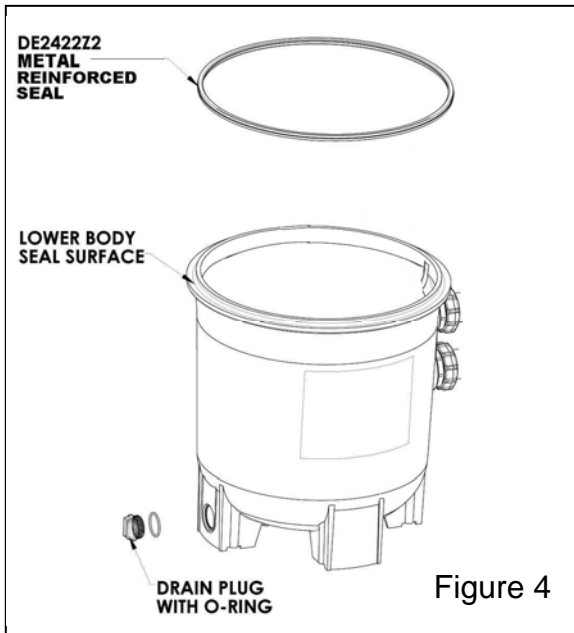


▲ This product should be installed and serviced only by a qualified professional.

FILTER DISASSEMBLY INSTRUCTIONS

1. Turn off all system circulation pumps and all electric power on the pad.
2. Set all system valves in a position to prevent water flow to the filter.
3. The manual air relief valve must be placed in the OPEN position. (FIG 6)
4. Remove filter drain plug (FIG 4) and drain water from filter.
5. Using 3/4" wrenches, loosen and remove the clamp nut and the clamp bolt. (Fig 5)
6. Holding both ends of the filter body clamp carefully spread the clamp ends. Remove the clamp by lifting over the upper filter body. Do not to drop the clamp during removal because the clamp could be damaged. Do not strike the clamp with metal tools as they can damage the clamp.
7. Lift off upper filter body. Do not use the pressure gauge to lift the upper filter body.

USE ONLY HAYWARD GENUINE REPLACEMENT PARTS

**INITIAL CLEANING OF ELEMENT CLUSTER ASSEMBLY**

Before removing the element cluster assembly we recommend hosing it down with a strong stream from a garden hose or preferably with the Hayward cleaning wand (EC2024). Be sure the drain plug is not in place or the drain valve is open. Remove as much of the dirty D.E. and accumulated debris by flushing it out of the drain opening. This will allow for easier removal of the element cluster assembly.

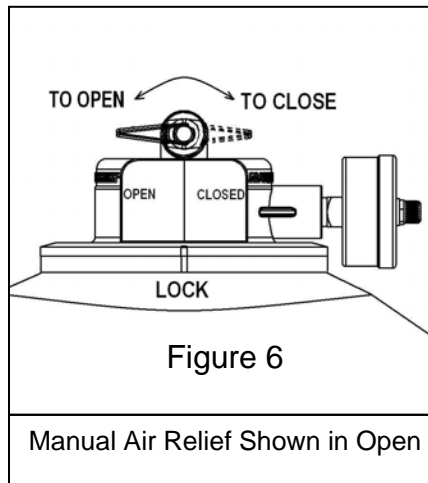
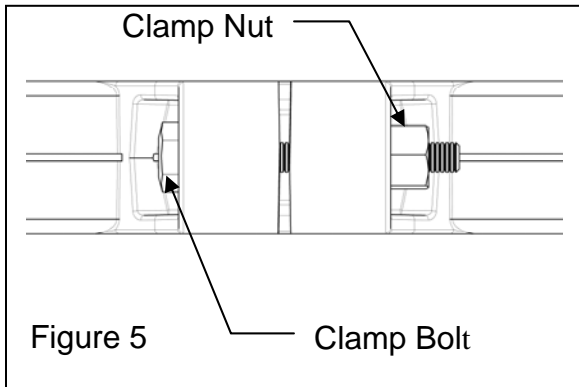
REMOVING ELEMENT CLUSTER

Rock the element cluster assembly slightly from side to side to free the manifold from the vertical outlet elbow. The element cluster assembly may now be removed by lifting it straight up using the lift handles.

CLEANING ELEMENT CLUSTER

The filter element cluster can be cleaned by washing inside and outside with a garden hose. After hosing filter element cluster, for best results, carefully brush the surface to remove fine particles. Do Not Pressure Wash as it can damage the filter element cluster.

You may find some debris on the filter element cluster, which may not have been removed with hosing.



Manual Air Relief Shown in Open

FILTER RE-ASSEMBLY INSTRUCTIONS

WARNING

CLEAN SEAL RING AND SEAL SURFACE

1. Remove filter tank seal.
2. With a clean cloth wipe the lower filter body seal surface. (Fig 4) Do not use a solvent.
3. With a clean cloth wipe the upper filter body seal surface.



Notice: •Do not use any petroleum solvents to clean filter components.
•Do not lubricate DEX2422Z2 Seal.

RE-INSTALLING ELEMENT CLUSTER

1. Lubricate outlet elbow O-rings with Jack's Formula 327 Multilube.
2. Replace filter element cluster into filter tank, carefully fitting top collector manifold outlet over outlet elbow O-ring.

USE ONLY HAYWARD GENUINE REPLACEMENT PARTS



WARNING

This product should be installed and serviced only by a qualified professional.

BODY AND CLAMP RE-ASSEMBLY

1. Place the metal reinforced seal on the lower filter body (Fig 4). Place the upper filter body on the Hayward DEX2422Z2 metal reinforced seal and lower filter body in a position which allows all operation and safety labels to be clearly visible and the upper body to be centered on the lower filter body. Press down firmly and evenly to set the upper filter body. (Fig 7)
2. Replace the filter clamp around the upper and lower filter bodies. Hold the clamp ends to position the clamp on the filter bodies with the clamp ends adjacent to the safety and operation labels on the filter bodies. (Fig 7)

DO NOT HIT OR STRIKE CLAMP WITH HAMMER OR METAL TOOLS.

3. Insert clamp bolt through the clamp ends and thread the clamp nut onto clamp bolt with rounded end of the nut (Fig 8) towards the ends of the clamp.
4. Never rely on hand tightening of clamp nut to clamp bolt. Using a 3/4" socket on a torque wrench, torque clamp nut to clamp bolt to 150 inch-lbs. (Fig 9).
5. Follow Operation Instructions for "Starting the Pump and Filter System" (Page 5).

VACUUMING

Vacuuming can be performed directly into the filter whenever needed. Backwash filter after vacuuming, if required.

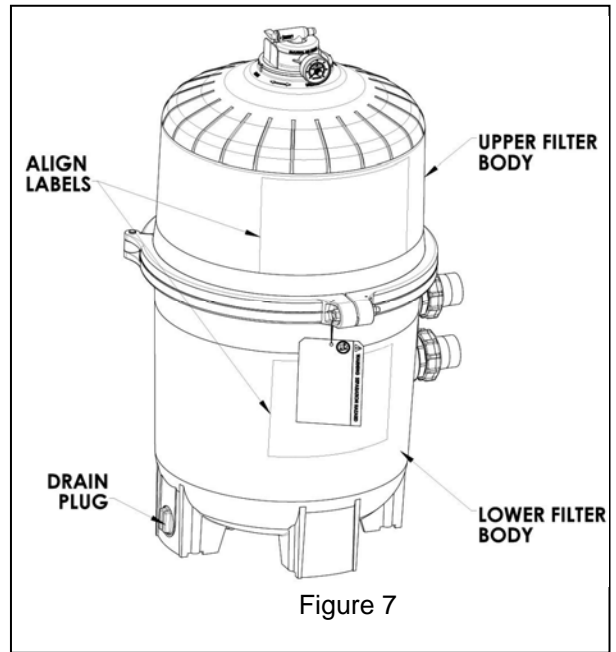


Figure 7

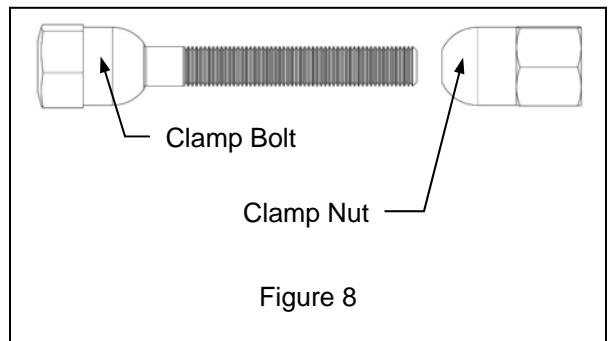


Figure 8

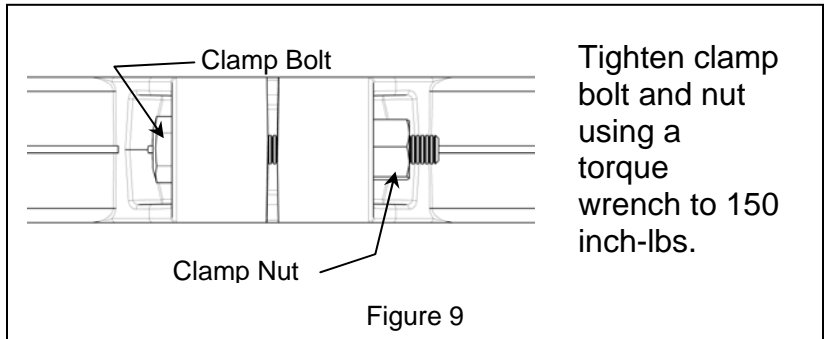
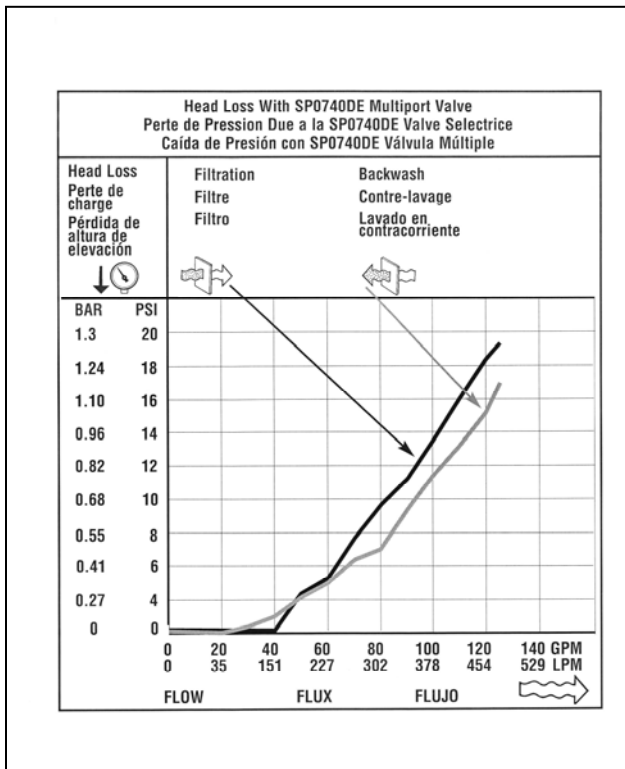


Figure 9

Tighten clamp bolt and nut using a torque wrench to 150 inch-lbs.

USE ONLY HAYWARD GENUINE REPLACEMENT PARTS

REMOVING THE MANUAL AIR RELIEF VALVE



WARNING
Your Filter comes with a Manual Air Relief Valve (MAR) pre-installed from the factory.

Only qualified pool professionals should service your filter's Manual Air Relief Valve.

For Qualified pool professionals only: If MAR valve needs to be serviced, follow these instructions carefully.

1. Turn off all system circulation pumps and all electric power on the pad.
2. Set all system valves in a position to prevent water from flowing to the filter.
3. The manual air relief valve must be placed in the OPEN position.
4. Wait until all water leakage has stopped.
5. Grasp the MAR body at the flats, turn the MAR counterclockwise until the indicator on the on the MAR flange is aligned with the "UNLOCK" position on the upper filter body.
6. Pull straight up to remove the MAR, a slight rocking motion may help.

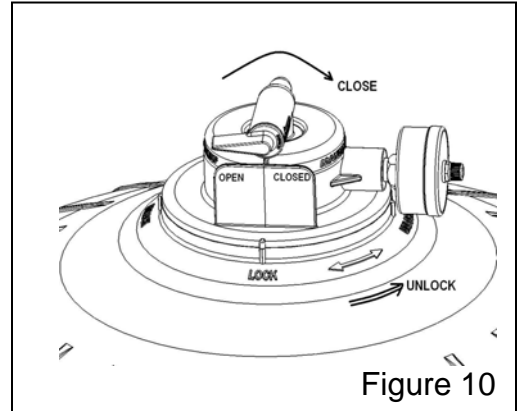


Figure 10

Manual Air Relief Shown Open
In Locked Position
Rotate counterclockwise to UNLOCK

RE-INSTALLATION OF THE MANUAL AIR RELIEF VALVE

1. Check the o-ring seals, replace as needed.
2. With a clean cloth, wipe upper filter body and o-ring groove. Remove all dirt and debris.
3. Align the notch in the MAR Flange with notch on top of the upper filter body.
4. Press the MAR straight down into the upper filter body
5. Turn the MAR clockwise until the indicator is aligned with the "LOCK" position on the upper filter body.
6. Verify the MAR discharge points away from all electrical connections.

WINTERIZING FILTER

Warning: In areas where subfreezing temperatures can be expected, the filter should be drained to protect the filter from damage.

1. The filter should be disassembled and the filter cartridges elements cleaned or replaced.
2. Follow directions under FILTER DISASSEMBLY INSTRUCTIONS
3. Then REMOVING CARTRIDGES per instructions
4. Reassemble per the instructions on Page 8.
5. Be sure to leave the drain plug unattached during the winter season to avoid cracking the filter body.

SERVICE AND REPAIRS

Consult your local authorized Hayward dealer or service center. No returns may be made directly to the factory without the expressed written authorization of Hayward Pool Products.

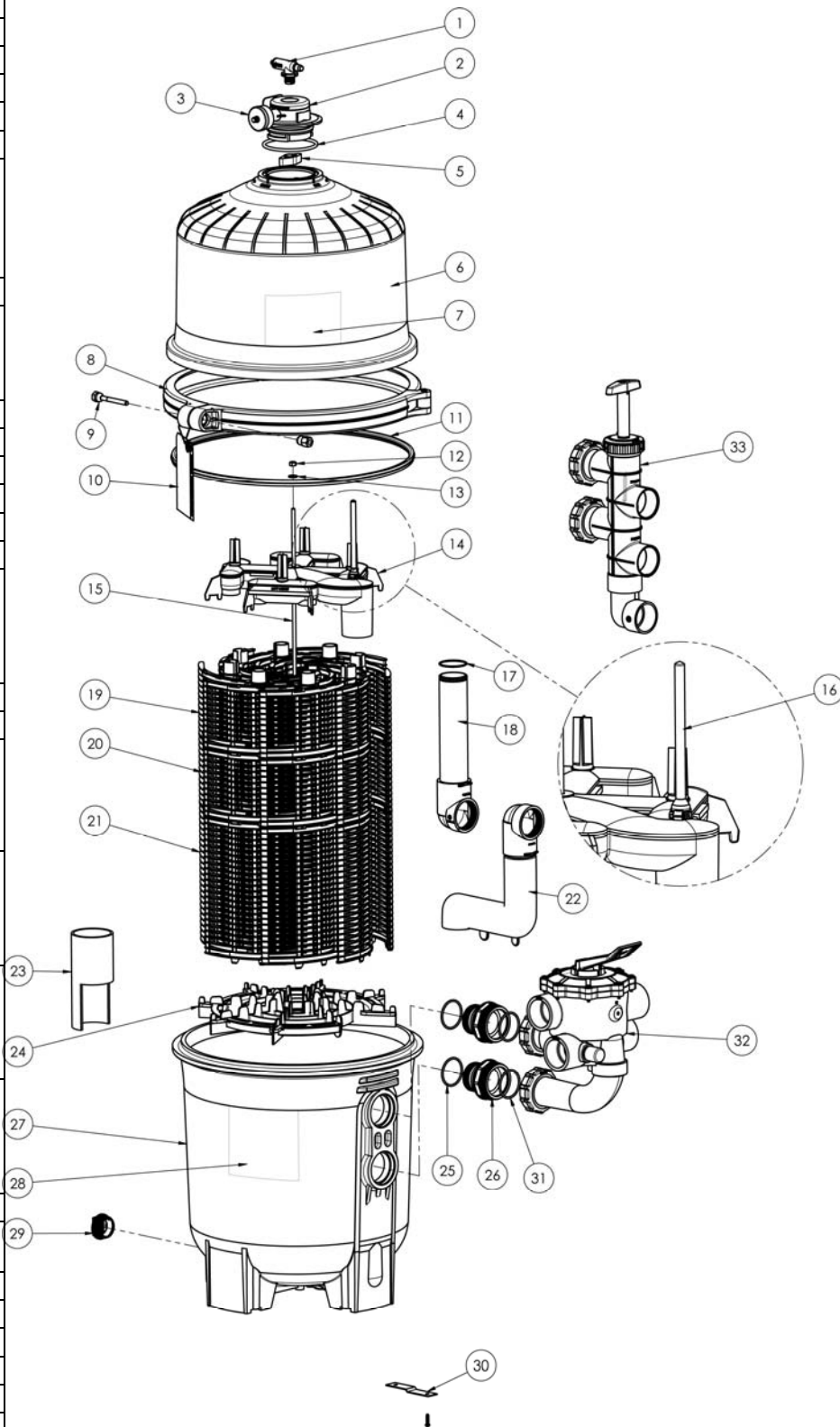
SUGGESTED POOL CHEMISTRY LEVELS	
pH	7.2 to 7.8
TOTAL ALKALINITY	80 to 120 ppm
CALCIUM HARDNESS	200 to 400 ppm
COMBINED CHLORINE	.2 ppm Maximum
CHLORINE (STABILIZED)	1.0 to 3.0 ppm
CHLORINE STABILIZER (Cyanuric Acid)	60 to 80 ppm

PROBLEM SOLVING LIST

REMEDY	LOW WATER FLOW	SHORT FILTER CYCLES	POOL WATER WON'T CLEAR UP
	<ol style="list-style-type: none"> 1. Check skimmer and pump strainer baskets for debris. 2. Check for restrictions in intake and discharge lines. 3. Check for air leak in intake line (indicated by bubbles returning to pool). 4. Backwash (Clean) Filter 	<ol style="list-style-type: none"> 1. Check for algae in pool and super-chlorinate as required. 2. Be sure chlorine and pH levels are in proper range (adjust as required). 	<ol style="list-style-type: none"> 1. Check chlorine, pH and total alkalinity levels and adjust as required. 2. Be sure flow rate through filter is sufficient. 3. Operate filter for longer periods.

USE ONLY HAYWARD GENUINE REPLACEMENT PARTS

ITEM	Part No.	Description
1	CCX1000V	Manual Air Relief w/O-ring
2	DEX2420MAR2	Manual Air Relief Assembly
3	ECX2712B1	Pressure Gauge
4	DEX2420Z8A	O-Ring Kit (Set of 2)
5	CCX1000N	Manual Air Relief Nut
6	DEX2420BT DEX3620BT DEX4820BT DEX6020BT DEX7220BT	Upper Filter Body DE2420 Upper Filter Body DE3620 Upper Filter Body DE4820 Upper Filter Body DE6020 Upper Filter Body DE7220
7	DEX2420LA6PAK	Label Pack*
8	DEX2421JKIT	Clamp System including: Clamp, Clamp nut and Bolt, Hang tag, Metal Reinforced Seal and Labels
9	DEX2421J2	Clamp Bolt and Nut
10	DEX2420LA6PAK	Label Pack*
11	DEX2422Z2	Metal Reinforced Seal
12	ECX176865	Retainer Nut 5/16"-18
13	ECX1109	Washer (2 Required)
14	DEX2400C	Top Collector Manifold
15	DEX2400R DEX3600R DEX4800R DEX6000R DEX7200R	Retainer Rod DE2420 Retainer Rod DE3620 Retainer Rod DE4820 Retainer Rod DE6020 Retainer Rod DE7220
16	DEX2400CR	Flex Air Relief Assembly
17	DEX2400Z5	Outlet Elbow O-ring
18	DEX2420EA DEX3620EA DEX4820EA DEX6020EA DEX7220EA	Outlet Elbow DE2420 Outlet Elbow DE3620 Outlet Elbow DE4820 Outlet Elbow DE6020 Outlet Elbow DE7220
19	DEX2420DC DEX3600DC DEX4800DC DEX6000DC DEX7200DC	Filter Element Cluster Assembly (Complete set of elements, collectors, Locators, Manifold, ect.
20	DEX2400DA DEX3600DA DEX4800DA DEX6000DA DEX7200DA	Filter Element (7 Required)
21	DEX2400DS DEX3600DS DEX4800DS DEX6000DS DEX7200DS	Filter Element Short (1 Required)
22	DEX2420GA	Inlet Diffuser
23	DEX2420T	Element Spacer (DE2420 Only)
24	DEX2400H	Filter Element Locator
25	SX220Z2	Bulkhead O-Ring (2 Req.)
26	DEX2420F	Bulkhead Fitting (2 Req.)
27	DEX2420AT	Lower Filter Body
28	DEX2420LA6PAK	Label Pack*
29	SP1022C	1 1/2" Drain Plug w/ O-Ring
30	DEX2420DCKIT	Strap Kit (Optional) 2 straps, 2 Screws
31	SX200Z4	O-Ring (2 Req.)
32	SP0740DE SP0710XR50 SP0715XR50	Selecta-Flo™ Valve 2" SKT Vari-Flo™ Valve 1 1/2" NPT Vari-Flo™ Valve 2" NPT (Optional)
33	SP0410X5025	Slide Valve 2" SKT (Optional)



*Label Pack: Includes all Warning and Operation Labels, Hang Tag, Wire Tie and Owner's Manual

USE ONLY HAYWARD GENUINE REPLACEMENT PARTS

HAYWARD® LIMITED WARRANTY

This equipment was inspected before shipment from our plant. To original purchasers of this equipment, Hayward Pool Products, 620 Division Street, Elizabeth, New Jersey, warrants its products free from defects in materials and workmanship for a period of **ONE (1)** year from the date of purchase.

Parts which fail or become defective during the warranty period, except as a result of freezing, negligence, improper installation, use, or care, shall be repaired or replaced, at our option, without charge, within 90 days of the receipt of defective product, barring unforeseen delays.

To obtain warranty replacements or repair, defective components or parts should be returned, transportation paid, to the place of purchase, or to the nearest authorized Hayward service center. For further Hayward dealer or service center information, contact Hayward customer service department. No returns may be made directly to the factory without the express written authorization of Hayward Pool Products.

To original purchasers of this equipment, Hayward Pool Products warrants its vacuum release systems to be free from defects in materials and workmanship for a period of **ONE (1)** year from the date of purchase.

Filters which become defective during the warranty period, except as a result of freezing, negligence, improper installation, use or care, shall be repaired or replaced, at our option, without charge.

All other conditions and terms of the standard warranty apply.

Hayward shall not be responsible for cartage, removal and/or reinstallation labor or any other such costs incurred in obtaining warranty replacements.

The Hayward Pool Products warranty does not apply to components manufactured by others. For such products, the warranty established by the respective manufacturer will apply.

Some states do not allow a limitation on how long an implied warranty lasts, or the exclusion or limitation of incidental or consequential damages, so the above limitation or exclusion may not apply to you.

This warranty gives you specific legal rights, and you may also have other rights, which vary from state to state.

*Supersedes all previous publications.

Hayward Pool Products
620 Division Street
Elizabeth, NJ 07207

USE ONLY HAYWARD GENUINE REPLACEMENT PARTS

PRODUCT REGISTRATION	
(Retain For Your Records)	
DATE OF INSTALLATION _____	
INITIAL PRESSURE GAUGE READING (CLEAN FILTER) _____	
PUMP MODEL _____	HORSEPOWER _____
FILTER MODEL _____	SERIAL NUMBER _____

DETACH HERE: REGISTER ONLINE AT WWW.HAYWARDNET.COM

or Fill out bottom portion completely and mail within 10 days of purchase/installation.



HAYWARD®

Mail to: Hayward Pool Products, 620 Division Street, Elizabeth, NJ 07207, Attn: Warranty Dept.

Please Print Clearly: Warranty Registration Card

Name _____

Purchased Date: _____

Address _____

Purchased from: _____

City _____ State _____ Zip _____

Company name _____

E-mail Address _____

Address _____

City _____ State _____ Zip _____

Product Purchased _____

Product Serial No. _____

New Installation Replacement

Please send me more information on these other products from Hayward:

Type of Pool:
 Vinyl Fiberglass Gunitite Above-ground

Pump Filter Automatic Pool Cleaner Light
 Chlorinator Skimmer Heater Heat Pump
 Salt/Chlorine Generator Controls

Size of Pool _____

May we contact you for future product promotions and offerings? Yes No

REGISTER YOUR WARRANTY ON-LINE AT WWW.HAYWARDNET.COM

© Hayward Pool Products. 2008 All rights reserved.



USE ONLY HAYWARD GENUINE REPLACEMENT PARTS

Pomona, CA
Clemmons, NC

Nashville, TN
West Palm Beach, FL

North Kingstown, RI
Oakville, ON, Canada

St. Vulbas, France
Wuxi, China

www.haywardpool.com