

VERSA POOL AND SPA HEATER

model

155

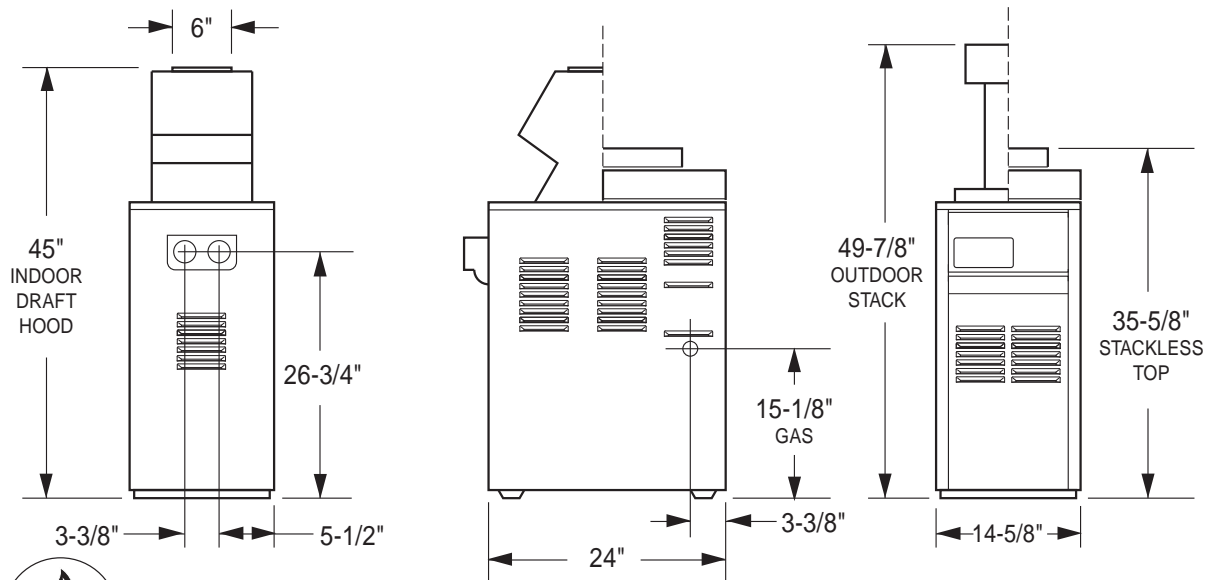
- 151,000 BTU
- Natural or Propane gas
- Indoor/outdoor
- User friendly control panel
- High efficiency for economical operation
- Electronic Ignition or Millivolt Pilot
- Lightweight combustion chamber
- Copper fin tube heat exchanger design
- Completely field serviceable
- Small footprint
- Patented Unitherm governor eliminates condensation
- Optional Bronze casting-
1 1/2" and 2" NPT water connections



Photo courtesy of Ester Williams, Delair Group



VERSA-155 Pool and Spa Heater



Note: Outdoor Stack and Indoor Draft Hood can be supplied but must be ordered separately.

Specifications and Dimensions										
Model	BTU Input (000)	Single or Dual Temp Controls		Water Connections		Bronze Castings	Shipping Weight (lbs.)			
		Millivolt	Electronic Ignition	1-1/2"	2"		Heater Base	Stackless Top	Draft Hood	Outdoor Stack
C-155	151	S	S	yes	yes	no	135	11	8	7
B-155	151	S	S	yes	yes	yes	135	11	8	7

How to Pick the Right Size Heater

Proper heater size is based on the time required to heat the pool or spa. If water is heated for each intended use, energy-saving rapid heating may be appropriate. If water is gradually heated to the desired temperature and then maintained at that temperature, a smaller heater may be acceptable. To determine proper heater size, use the following formula.

- Desired water temperature _____ °F
- (Minus) Average air temperature _____ °F
- (Equals) Total heat rise _____ °F
- Total heat rise/hours required to heat equals required heat rise per hour.

	Spa Size (Gallons)					
	300	400	500	600	700	800
Temp. rise per hour	48 ° F	36 ° F	29 ° F	24 ° F	21 ° F	15 ° F
	Pool Size (Square Feet)					
	300	400	500	600	700	800
Temp. rise per hour	1-1/3 ° F	1-1/8 ° F	1 ° F	3/4 ° F	1/2 ° F	

Patented Econotherm Heat Exchanger

Your VERSA is equipped with a unique all copper fin tube heat exchanger, designed for efficient heat transfer and built to provide years of trouble-free performance. Both header castings are made of porcelainized cast iron for durability and resistance to corrosion and rust. Your VERSA is also available with optional premium bronze headers for completely rust free operation.

Advanced Unitherm Plus Full-flow System

Condensation-free operation is assured even with low temperature inlet water. Both water temperature and flow rate inside the heater are controlled to eliminate condensation, sooting and scale buildup that can shorten heater life. More hot water moves through faster, and more efficiently.

Two-Year Limited Warranty

Against defects in materials and workmanship (see written warranty for details). In addition, every VERSA is thoroughly tested in simulated field conditions before shipment.



Raypak, Inc.

31111 Agoura Road, Westlake Village, CA 91361-4699, (818) 889-1500. Fax (818) 889-4522

Raypak Canada Limited

2805 Slough Street, Mississauga, Ontario, Canada L4T 1G2. (905) 677-7999. Fax (905) 677-8036

www.raypak.com

