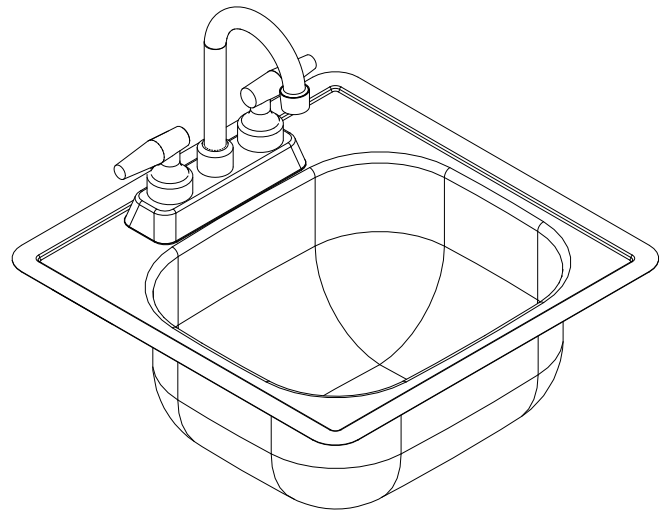
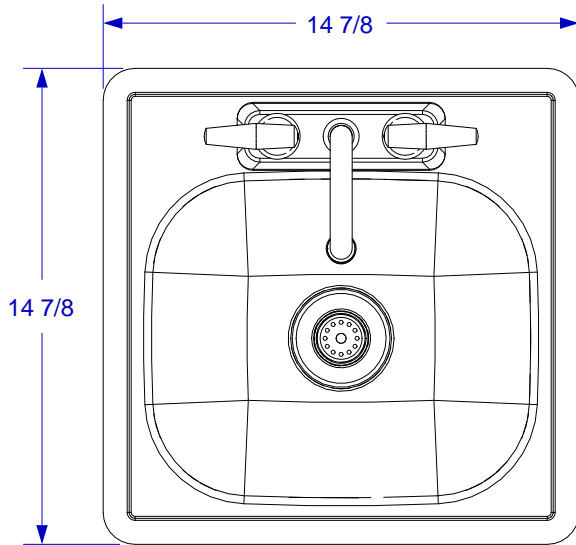




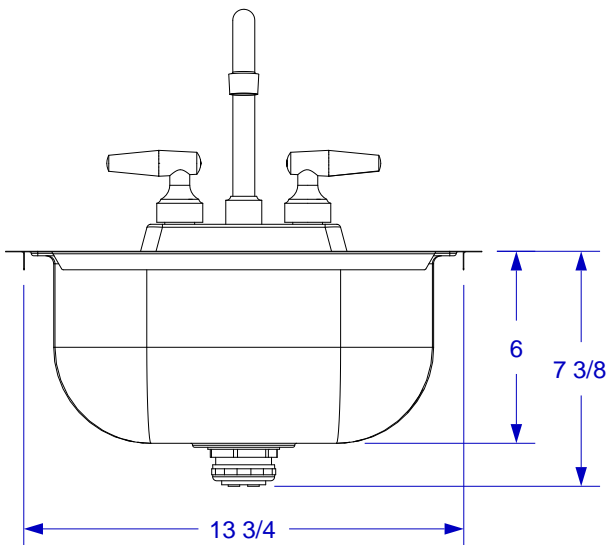
SINK SPEC SHEET



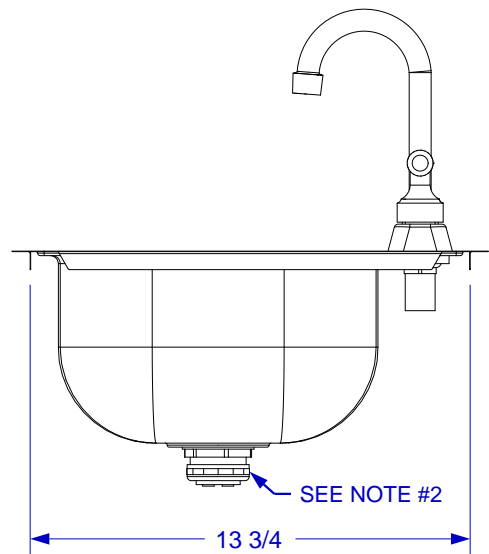
ISOMETRIC VIEW



TOP VIEW



FRONT VIEW



RIGHT SIDE VIEW

NOTES:

- 1. CUTOUT DIMENSIONS: 14 1/4" W X 14 1/4" L X 7 5/8" D
- 2. 1 1/2" DRAIN LINE.
- 3. SCALE: 2" = 1'-0"
- 4. REVISION: 10/2009