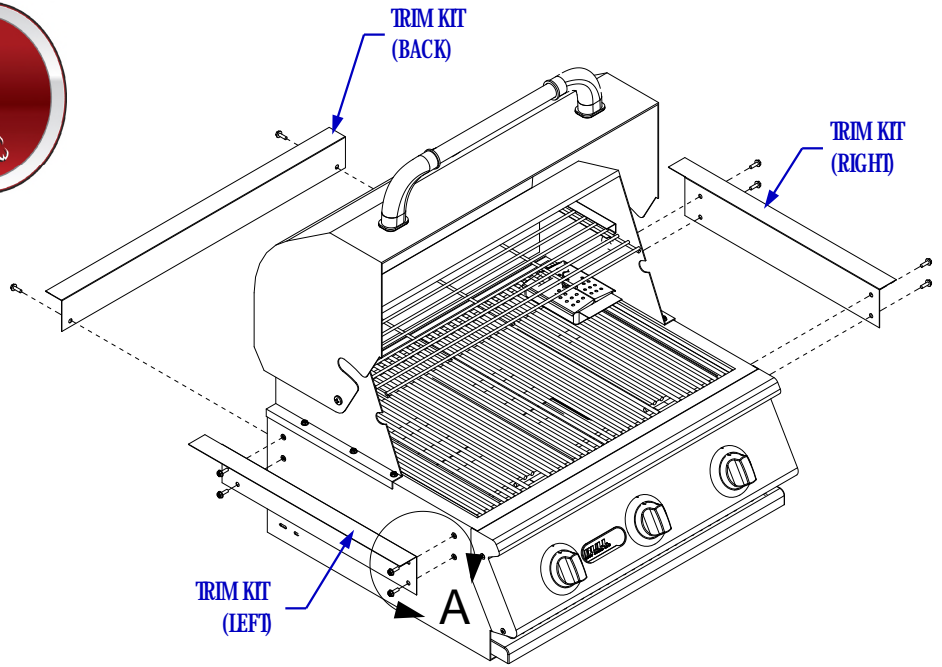


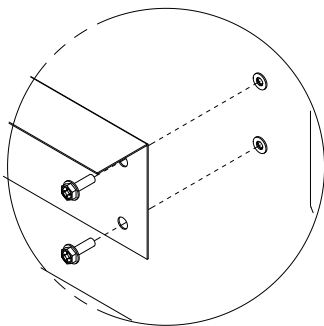


STEER GRILL SPEC SHEET

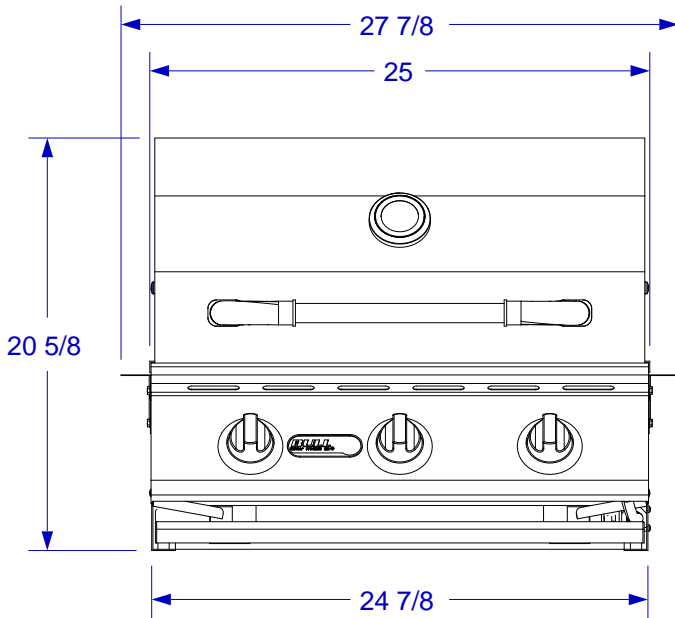
*ISLAND MUST BE CONSTRUCTED WITH NON-COMBUSTIBLE MATERIALS; REFER TO GRILL OWNERS MANUAL



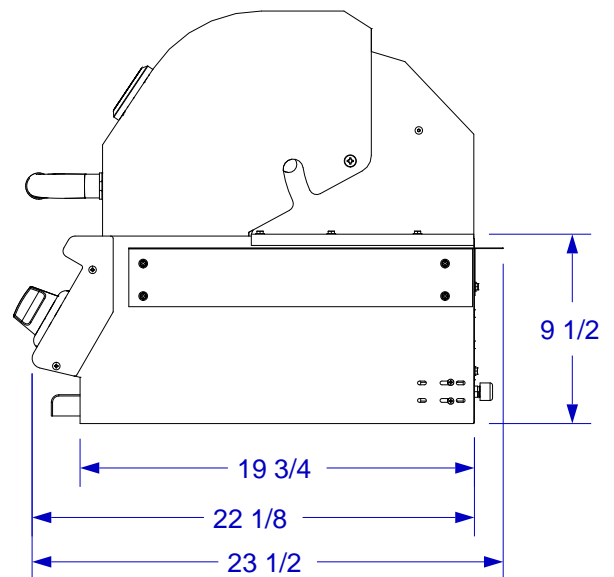
ISOMETRIC VIEW
SCALE 1" = 1' 0"



Detail A
SCALE 3" = 1' 0"



FRONT VIEW



RIGHT SIDE VIEW

NOTES:

1. CUTOUT DIMENSIONS: 25 3/4" W X 20" L X 10" D
2. TRIM KIT SUPPLIED; NOT NECESSARY FOR CART APPLICATION.
3. SCALE: 1 1/4" = 1'-0"
4. REVISION: 01/2012