

POOL BREAKDOWN

COASTLINE 24' x 12' OVAL 48''

STEEL TOP RAIL - STEEL VERTICAL

| √ | QTY | CARTON NUMBER | CARTON DESCRIPTION |
|---|-----|---------------|-------------------------|
| | 1 | 5-9942-106 | ASSEMBLY PACK CARTON |
| | 1 | 5-9712-505 | VERTICAL PACK CARTON |
| | 1 | 5-0564-042 | SIDEWALL CARTON |
| | 1 | 5-8495-366 | BUTTRESS SUPPORT CARTON |
| | | | |
| | | | |
| | | | |
| | | | |
| | | | |
| | | | |



CARTON BREAKDOWN

| ✓ | ITEM | QTY | PART NUMBER | DESCRIPTION |
|-----------------------------------|------|-----|-------------|-------------------------------|
| ASSEMBLY PACK # 5-9942-106 | | | | |
| | 1 | 33 | 545-1001 | Plastic coping |
| | 2 | 10 | 580-2379 | Vertical end cap |
| | 3 | 8 | 583-1012 | Stabilizer Rail (Small) |
| | 4 | 12 | 583-1011 | Stabilizer Rail (Large) |
| | 5 | 12 | 589-1133 | Bottom rail |
| | 6 | 4 | 589-1052 | Bottom rail - stamped S |
| | 7 | 16 | 340-2139 | Top connector |
| | 8 | 130 | 330-1127 | Sheet metal screw, #10 x 1/2" |
| | 9 | 10 | 580-1344 | Bottom connector |
| | 14 | 16 | 587-1350 | Top Rail |
| | 15 | 6 | 580-1949 | Side vertical end cap |
| | — | 1 | 573-3911 | Pool Parts List |
| | — | 1 | 573-3791 | Installation Instructions |
| | — | 1 | — — — | Warranty Card |
| | — | 1 | 573-3169 | "Safety First" Booklet |
| | | | | |
| | | | | |

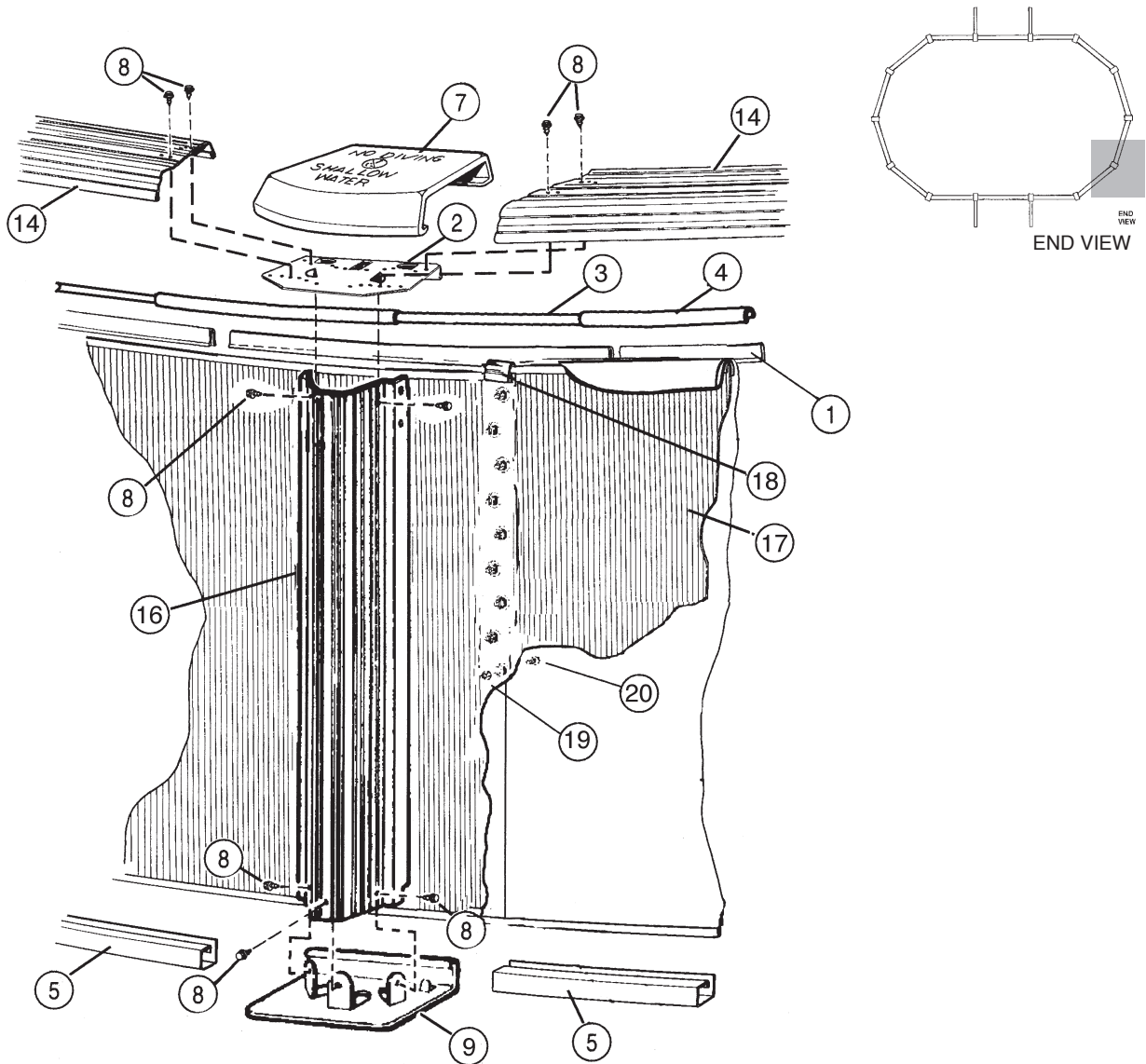
| | | | | |
|-----------------------------------|----|----|----------|----------|
| VERTICAL PACK # 5-9712-505 | | | | |
| | 16 | 10 | 580-1945 | Vertical |

| | | | | |
|-------------------------------------|----|----|------------|----------------------------|
| SIDEWALL CARTON # 5-0564-042 | | | | |
| | 17 | 1 | 5-0564-042 | Sidewall |
| | 18 | 1 | 535-1442 | Protective strip |
| | 19 | 25 | 321-1029 | 1/4-20 Hex Flange Locknut |
| | 20 | 25 | 330-1280 | 1/4-20 x 1/2" Grade 5 Bolt |
| | — | 1 | 560-1055 | Warning Sign |
| | — | 1 | 573-3169 | "Safety First" Booklet |
| | — | 1 | 573-3498 | Safety DVD |

BUTTRESS SUPPORT PACK # 5-8495-366

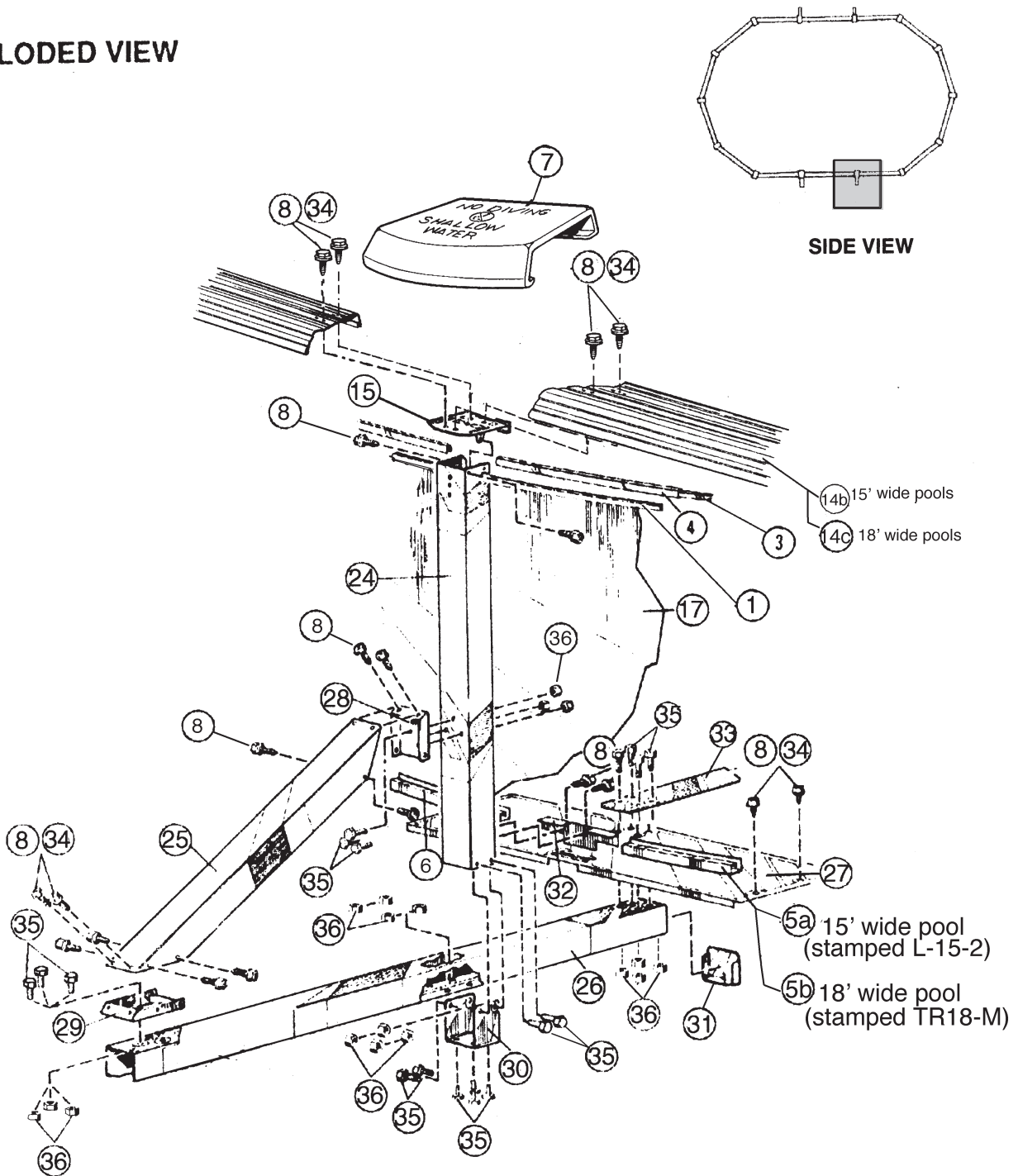
| | | | |
|----|-----|----------|---------------------------------------|
| 24 | 6 | 580-2184 | Side vertical |
| 25 | 6 | 580-1969 | Vertical brace |
| 26 | 6 | 580-1962 | Horizontal support |
| 27 | 6 | 580-1965 | Pressure pad |
| 28 | 6 | 580-2318 | Brace connector - short |
| 29 | 6 | 580-1051 | Brace connector - long |
| 30 | 6 | 580-1862 | Support bracket |
| 31 | 6 | 580-1412 | Horizontal end cap |
| 32 | 6 | 580-1793 | Bottom rail locator |
| 33 | 3 | 580-2187 | Tension strap |
| 34 | 138 | 330-1127 | Sheet metal screw, #10 x 1/2" |
| 35 | 108 | 510-1018 | 1/4-20 x 1/2" hex head bolt - grade 5 |
| 36 | 108 | 511-1000 | 1/4-20 hex nut |

EXPLODED PARTS VIEW



EXPLODED PARTS VIEW

EXPLODED VIEW



Important! Above-ground pools are designed for swimming and wading only. Do not Dive or Jump! Misuse of your pool may result in crippling injury and/or other dangers to life and health. Do not use slides, diving boards, or any other platform or object which can be used for improper pool entry. Use only an above-ground swimming pool ladder or entry system to enter or exit your pool. Never attempt to swim or reach behind ladders or any other pool entry system. It is the pool owner's responsibility to secure the pool against unauthorized, unsupervised or unintentional entry. It is also the pool owner's responsibility to warn all pool users of the hazards of diving into shallow water: paralyzing injury may result. Always obey all safety rules. Remember, pool safety is everybody's responsibility.

Safety decals and caution information provided with your pool have been endorsed by the U.S. Consumer Product Safety Commission. It is mandatory that the pool owner and installer follow the installation and use directions for all provided safety signs and decals. Juveniles must be supervised at all times by a responsible adult as directed by the USCPSC.

Change of Design: The manufacturer (HII) expressly reserves the right to change or modify the design and construction of any product in due course of their manufacturing procedures, without incurring any obligation to furnish or install such changes or modifications on products previously or subsequently sold.