

POOL BREAKDOWN

COASTLINE 33' x 18' OVAL 52" STEEL TOP RAIL - STEEL VERTICAL

√	QTY	CARTON NUMBER	CARTON DESCRIPTION
	1	5-9938-106	ASSEMBLY PACK CARTON
	1	5-1800-904-560	VERTICAL PACK CARTON
	1	5-0565-038	SIDEWALL CARTON
	2	5-8495-164	BUTTRESS SUPPORT CARTON



CARTON BREAKDOWN

✓	ITEM	QTY	PART NUMBER	DESCRIPTION
ASSEMBLY PACK # 5-9938-106				
	1	43	545-1001	Plastic coping
	2	14	580-2379	Vertical end cap
	3	10	583-1012	Stabilizer Rail (Small)
	4	16	583-1011	Stabilizer Rail (Large)
	5	12	589-1136	Bottom rail
	5b	4	589-1303	Bottom rail - stamped TR-18
	6	6	589-1052	Bottom rail - stamped S
	7	22	340-2139	Top connector
	8	174	330-1127	Sheet metal screw, #10 x 1/2"
	9	14	580-1344	Bottom connector
	14	18	587-1350	Top Rail
	14c	4	587-1809	Top Rail - transition - short rail
	15	8	580-1949	Side vertical end cap
	—	1	573-3921	Pool Parts List
	—	1	573-3791	Installation Instructions
	—	1	— — —	Warranty Card
	—	1	573-3169	"Safety First" Booklet

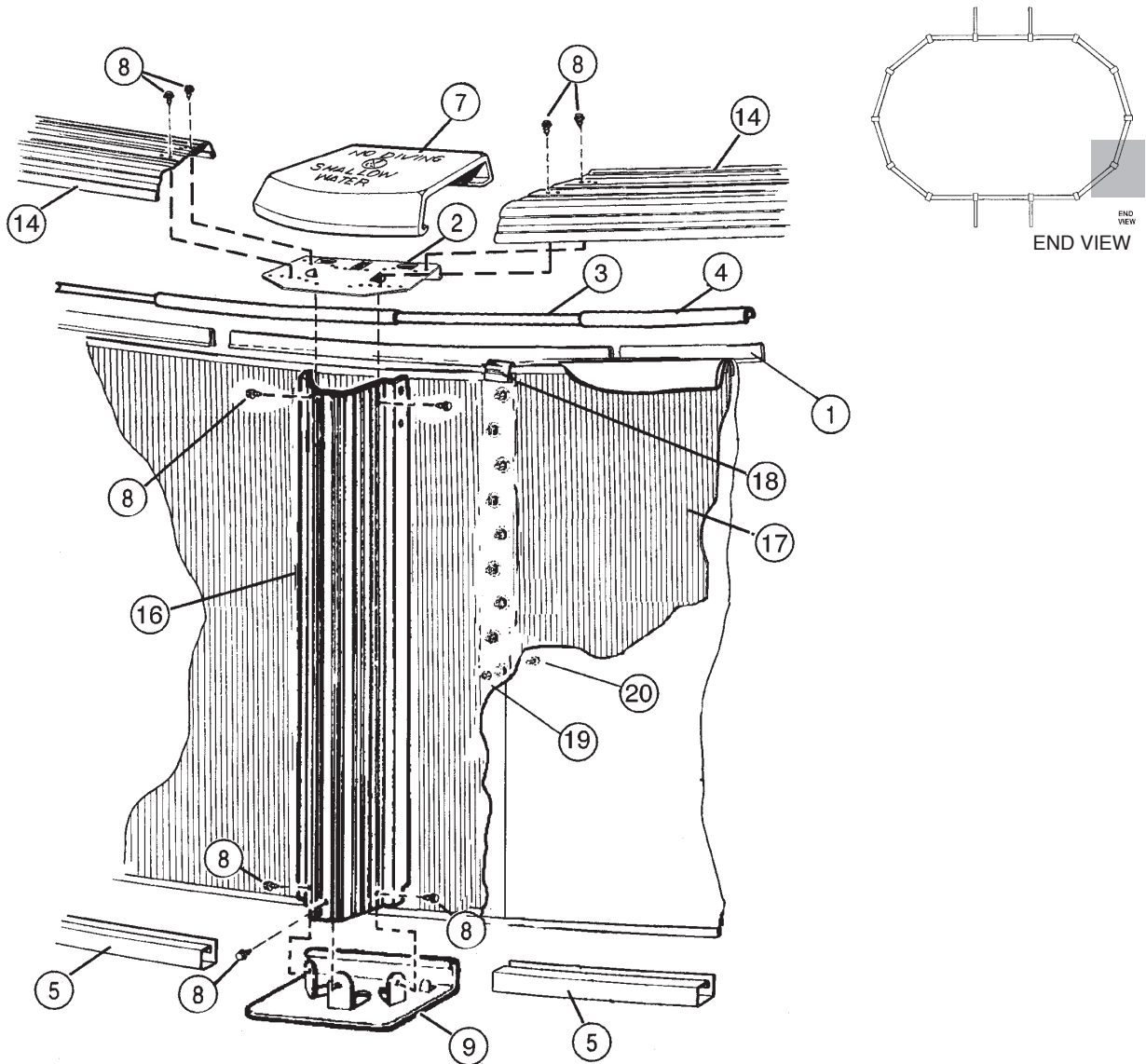
VERTICAL PACK # 5-1800-904-560				
	16	14	580-2222	Vertical

SIDEWALL CARTON # 5-0565-038				
	17	1	5-0565-038	Sidewall
	18	1	535-1442	Protective strip
	19	26	321-1029	1/4-20 Hex Flange Locknut
	20	26	330-1280	1/4-20 x 1/2" Grade 5 Bolt
	—	1	560-1055	Warning Sign
	—	1	573-3169	"Safety First" Booklet
	—	1	573-3498	Safety DVD

BUTTRUSS SUPPORT PACK # 5-8495-164 (2 Required)

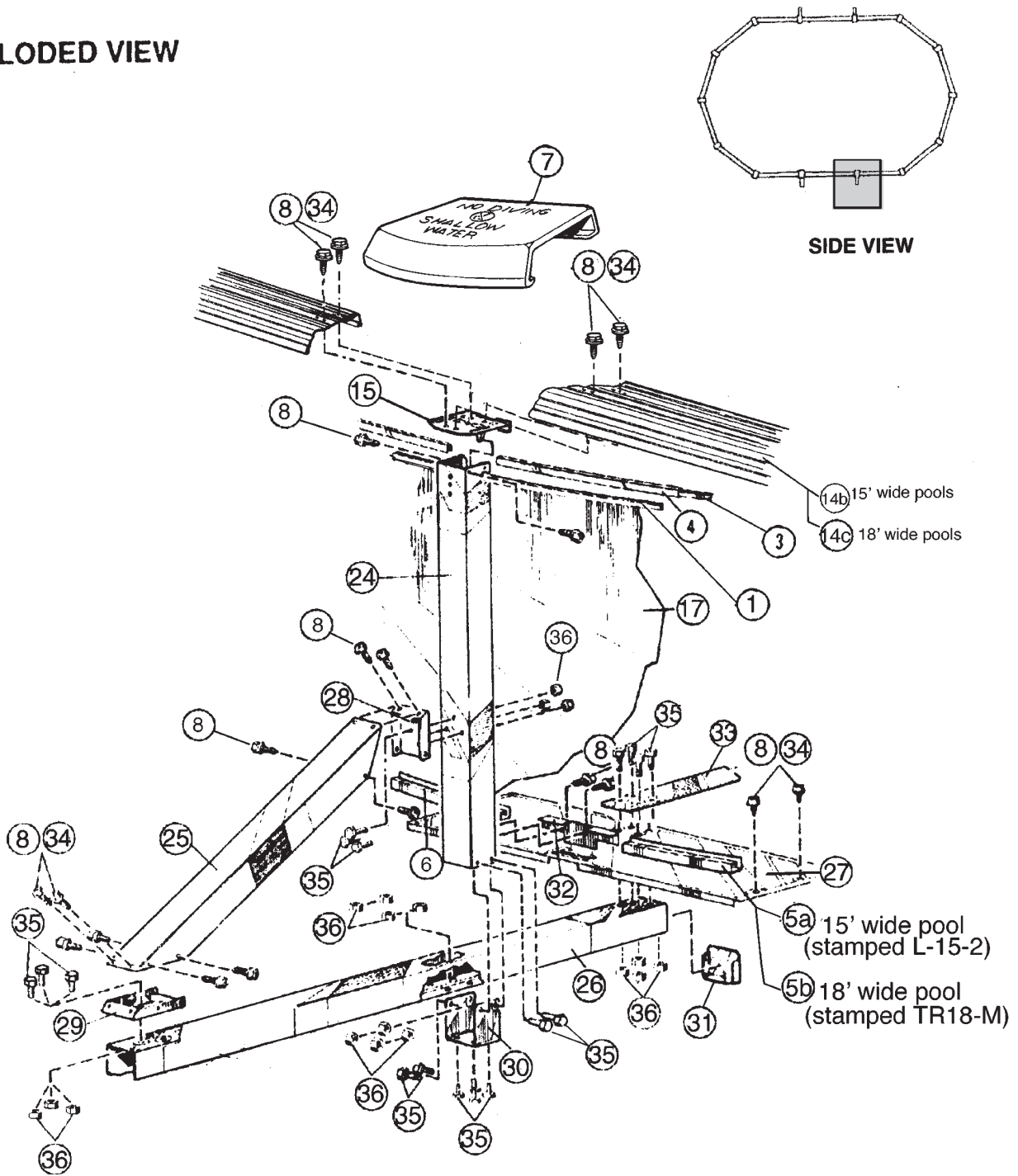
24	8	580-1964	Side vertical
25	8	580-1969	Vertical brace
26	8	580-1962	Horizontal support
27	8	580-1965	Pressure pad
28	8	580-2318	Brace connector - short
29	8	580-1051	Brace connector - long
30	8	580-1862	Support bracket
31	8	580-1412	Horizontal end cap
32	8	580-1793	Bottom rail locator
33	4	580-2187	Tension strap
34	184	330-1127	Sheet metal screw, #10 x 1/2"
35	144	510-1018	1/4-20 x 1/2" hex head bolt - grade 5
36	144	511-1000	1/4-20 hex nut

EXPLODED PARTS VIEW



EXPLODED PARTS VIEW

EXPLODED VIEW



Important! Above-ground pools are designed for swimming and wading only. Do not Dive or Jump! Misuse of your pool may result in crippling injury and/or other dangers to life and health. Do not use slides, diving boards, or any other platform or object which can be used for improper pool entry. Use only an above-ground swimming pool ladder or entry system to enter or exit your pool. Never attempt to swim or reach behind ladders or any other pool entry system. It is the pool owner's responsibility to secure the pool against unauthorized, unsupervised or unintentional entry. It is also the pool owner's responsibility to warn all pool users of the hazards of diving into shallow water: paralyzing injury may result. Always obey all safety rules. Remember, pool safety is everybody's responsibility.

Safety decals and caution information provided with your pool have been endorsed by the U.S. Consumer Product Safety Commission. It is mandatory that the pool owner and installer follow the installation and use directions for all provided safety signs and decals. Juveniles must be supervised at all times by a responsible adult as directed by the USCPSC.

Change of Design: The manufacturer (HII) expressly reserves the right to change or modify the design and construction of any product in due course of their manufacturing procedures, without incurring any obligation to furnish or install such changes or modifications on products previously or subsequently sold.