



## Pool Breakdown

# LEGACY OUTBACK 15' x 30' OVAL 52"

This first page lists the quantity, carton number, and carton description for each individual box and/or pallet in your shipment. Check that the numbers and descriptions on your checklist match identically to those on the cartons. Make sure that the pool type, model, shape, and size also line up perfectly. If something is off, even by one number, check to make sure that you have the correct checklist for your pool type and if so, contact our support team immediately at [support@royalswimmingpools.com](mailto:support@royalswimmingpools.com).

<input checked="" type="checkbox"/>	Qty	Carton Product Number #	Carton Content Description
<input type="checkbox"/>	1	CRHER15TS-10	CTN: HER 15 CRV-SIDE FRAME COMP
<input type="checkbox"/>	1	CRHERUS52-12	CTN: HER 52" CRV-SIDE FRAME COMP
<input type="checkbox"/>	1	CVBIVO-STRUT-0804	CTN: UNIV OVL-STR-SIDE FRAME COMP
<input type="checkbox"/>	1	CVHERTS-10	CTN: HER OVL-STR-SIDE FRAME COMP
<input type="checkbox"/>	1	CVHERVS52-08	CTN: HER 52" OVL-STR-SIDE FRAME COMP
<input type="checkbox"/>	1	CVSTRAP15-12	CTN: UNIV OVL-STR-SIDE FRAME COMP
<input type="checkbox"/>	1	CXHER1530-PSRH1	CTN: HER 1530 MIXED CRV/STR COMP
<input type="checkbox"/>	1	WSAH52S-WMN1530-938	WALL 1530 SAHARA52

Once you have all of the cartons listed above, continue to the next page. There should be one table *per* carton and each carton should be gone through entirely before moving on to the next.

Please ensure that you have received the proper quantity for each item listed.

**DO NOT THROW CARTONS/BOXES AWAY UNTIL AFTER THE INSTALLATION IS COMPLETE. We recommend taking photos of all labels/stickers on the boxes.**

In the unlikely event that you are missing items, please refer to the document *Inventory Checklist and Reporting Missing Items* that was previously emailed to you.

Once you have ALL items listed on the entire inventory checklist, refer to your safety handbook and installation manual before you start the building process.

CUSTOMER SUPPORT CAN BE REACHED AT ANY OF THE FOLLOWING:

CALL: 901-372-1773

TEXT: 901-472-7797

EMAIL: [support@royalswimmingpools.com](mailto:support@royalswimmingpools.com)



## Carton Breakdown

# LEGACY OUTBACK 15' x 30' OVAL 52"

Carton Product Number #	Carton Content Description
CRHER15TS-10	CTN: HER 15 CRV-SIDE FRAME COMP

√	Key #	Qty	Part #	Part Description
<input type="checkbox"/>	E	10	22751	TR 7" SAND TXT 15' 51 3/16" INDIANA

\*Below items will contain no actual pool parts; just packaging/shipping materials

Qty	Part #	Part Description
1	97-1351B	CARTON-EMPTY [4X] ID 58-1/16X8-3/4X5-5/8 ETC48 BOT
1	97-1351T	CARTON-EMPTY [4X] ID 58-5/16X10-1/4X5-3/4 ETC48 TOP

Carton Product Number #	Carton Content Description
CRHERUS52-12	CTN: HER 52" CRV-SIDE FRAME COMP

√	Key #	Qty	Part #	Part Description
<input type="checkbox"/>	D	12	22759	UR 6" SAND TXT 51 5/8" IND/HER

\*Below items will contain no actual pool parts; just packaging/shipping materials

Qty	Part #	Part Description
1	97-1351B	CARTON-EMPTY [4X] ID 58-1/16X8-3/4X5-5/8 ETC48 BOT
1	97-1351T	CARTON-EMPTY [4X] ID 58-5/16X10-1/4X5-3/4 ETC48 TOP

CUSTOMER SUPPORT CAN BE REACHED AT ANY OF THE FOLLOWING:

CALL: 901-372-1773

TEXT: 901-472-7797

EMAIL: support@royalsswimmingpools.com

## Carton Breakdown

# LEGACY OUTBACK 15' x 30' OVAL 52"

Carton Product Number #	Carton Content Description
CVBIVO-STRUT-0804	CTN: UNIV OVL-STR-SIDE FRAME COMP

√	Key #	Qty	Part #	Part Description
<input type="checkbox"/>	L	8	17916	WRAP STRUT TPP SAND TXT
<input type="checkbox"/>	P	4	16723	STRAP SECTION 39 9/32" (FOR 12,15,18')
<input type="checkbox"/>	*	1	22-36501	HDW STRUT - 4 PACK

\*Below items will contain no actual pool parts; just packaging/shipping materials

Qty	Part #	Part Description
1	97-1353B	CARTON-EMPTY [3X] ID 58-1/16X12-1/2X5-5/8 ETC48 BOT
1	97-1353T	CARTON-EMPTY [3X] ID 58-5/16X14X5-3/4 ETC48 TOP

Carton Product Number #	Carton Content Description
CVHERTS-10	CTN: HER OVL-STR-SIDE FRAME COMP

√	Key #	Qty	Part #	Part Description
<input type="checkbox"/>	O	8	16549	PRESSURE PLATE (44")
<input type="checkbox"/>	E	10	22756	TR 7" SAND TXT STR SIDE 41 1/4" INDIANA

\*Below items will contain no actual pool parts; just packaging/shipping materials

Qty	Part #	Part Description
1	97-1355B	CARTON-EMPTY [2X] ID 58-5/16X20X5-5/8 ETC48 BOT
1	97-1355T	CARTON-EMPTY [2X] ID 58-5/16X21-1/2X5-3/4 ETC48 TOP

CUSTOMER SUPPORT CAN BE REACHED AT ANY OF THE FOLLOWING:

CALL: 901-372-1773

TEXT: 901-472-7797

EMAIL: support@royalswimmingpools.com



## Carton Breakdown

# LEGACY OUTBACK 15' x 30' OVAL 52''

Carton Product Number #	Carton Content Description
CVHERVS52-08	CTN: HER 52" OVL-STR-SIDE FRAME COMP

√	Key #	Qty	Part #	Part Description
<input type="checkbox"/>	R	8	29917	OVAL CHANNEL FOAM BLOCK 2 X 4 X 4 1/8
<input type="checkbox"/>	K	8	35738	WRAP UR OVAL TPP SAND 52" (53" OVERALL LENGTH)

\*Below items will contain no actual pool parts; just packaging/shipping materials

Qty	Part #	Part Description
1	97-1353B	CARTON-EMPTY [3X] ID 58-1/16X12-1/2X5-5/8 ETC48 BOT
1	97-1353T	CARTON-EMPTY [3X] ID 58-5/16X14X5-3/4 ETC48 TOP

Carton Product Number #	Carton Content Description
CVSTRAP15-12	CTN: UNIV OVL-STR-SIDE FRAME COMP

√	Key #	Qty	Part #	Part Description
<input type="checkbox"/>	M	8	16542	CONNECTOR BTM RAIL STR SIDE STEEL
<input type="checkbox"/>	N	8	16539	STRAP OVER CHANNEL 2" TALL X 52 3/8"
<input type="checkbox"/>	P	12	16725	STRAP SECTION 41 11/16"(FOR 15')
<input type="checkbox"/>	Q	8	22726	OVAL CHANNEL END CAP

\*Below items will contain no actual pool parts; just packaging/shipping materials

Qty	Part #	Part Description
1	97-1351B	CARTON-EMPTY [4X] ID 58-1/16X8-3/4X5-5/8 ETC48 BOT
1	97-1351T	CARTON-EMPTY [4X] ID 58-5/16X10-1/4X5-3/4 ETC48 TOP

CUSTOMER SUPPORT CAN BE REACHED AT ANY OF THE FOLLOWING:

CALL: 901-372-1773

TEXT: 901-472-7797

EMAIL: support@royalswimmingpools.com



## Carton Breakdown

# LEGACY OUTBACK 15' x 30' OVAL 52''

Carton Product Number #	Carton Content Description
CXHER1530-PSRH1	CTN: HER 1530 MIXED CRV/STR COMP

√	Key #	Qty	Part #	Part Description
<input type="checkbox"/>	A	4	38511	RIM 5/8" SQ STL 9'0"R 37" BLACK
<input type="checkbox"/>	A	8	38513	RIM 5/8" SQ STL 9'0"R 8"
<input type="checkbox"/>	A	6	38512	RIM 5/8" SQ STL 9'0"R 33" BLACK
<input type="checkbox"/>	A	10	38502	INR STAB SQ STL 7'6"R 53-1/4" ORANGE
<input type="checkbox"/>	B	6	16713 or 12327	BTM RAIL STL MOMT 9'0"R 37-1/2" STR SIDE LIGHT BLUE
<input type="checkbox"/>	B	4	16714 or 12328	BTM RAIL STL MOMT 9'0"R 39" CORNER FLUO ORANGE
<input type="checkbox"/>	B	10	12311 or 14950	BTM RAIL STL MOMT 7'6"R 49" ORANGE
<input type="checkbox"/>	C	12	22761	TOP PLATE 6" INDIANA GF [H]
<input type="checkbox"/>	F	19	10296	PLASTIC COPING SINGLE 48" FOR METAL STAB
<input type="checkbox"/>	G	12	22735	TC 7" CHAMPAGNE BOOT [H1]
<input type="checkbox"/>	H	20	22734	TC 7" CHAMPAGNE INNER HALF [H1]
<input type="checkbox"/>	I	8	22733	TC 7" CHAMPAGNE OUTER HALF STR [H1]
<input type="checkbox"/>	I	12	22732	TC 7" CHAMPAGNE OUTER HALF CVD [H1]
<input type="checkbox"/>	J	8	22762	TOP PLATE 6" OVAL IND/HER GF [H]
<input type="checkbox"/>	*	1	44-10026	HARDWARE POOL KIT ZY OVAL 26
<input type="checkbox"/>	*	1	36878	BACKYARD LEISURE CONSUMER DVD
<input type="checkbox"/>	*	1	95-0007	ENVELOPES SAFETY COMPLETE

\*Below items will contain no actual pool parts; just packaging/shipping materials

Qty	Part #	Part Description
1	97-1357B	CARTON-EMPTY [2X] ID 58-5/16X20X9-5/8 ETC48 BOT
1	97-1357T	CARTON-EMPTY [2X] ID 58-5/16X21-1/2X5-3/4 ETC48 TOP

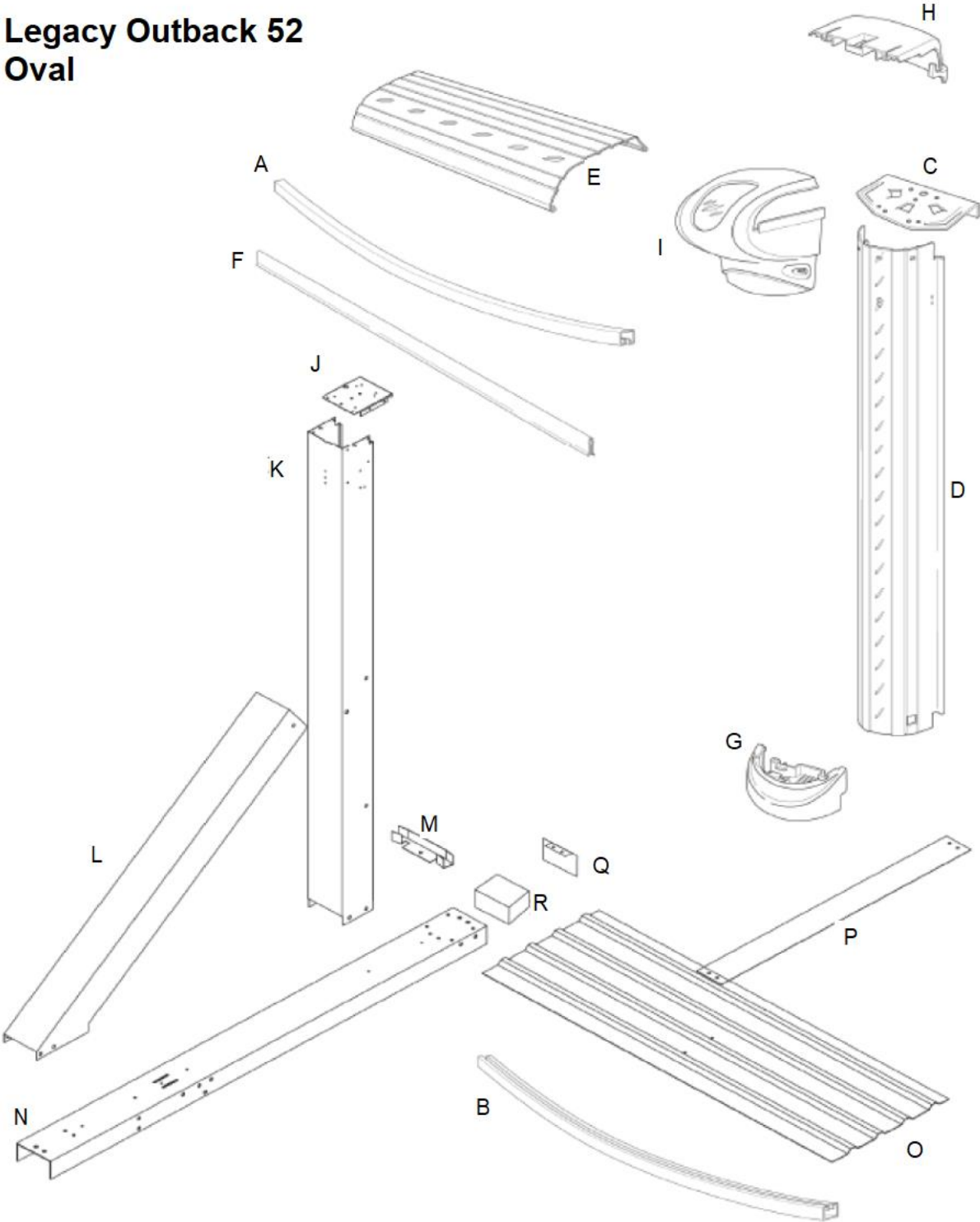
CUSTOMER SUPPORT CAN BE REACHED AT ANY OF THE FOLLOWING:

CALL: 901-372-1773

TEXT: 901-472-7797

EMAIL: support@royalswimmingpools.com

**Legacy Outback 52  
Oval**



CUSTOMER SUPPORT CAN BE REACHED AT ANY OF THE FOLLOWING:  
 CALL: 901-372-1773  
 TEXT: 901-472-7797  
 EMAIL: [support@royalswimmingpools.com](mailto:support@royalswimmingpools.com)