



## Pool Breakdown

# LEGACY OUTBACK 18' ROUND 52''

This first page lists the quantity, carton number, and carton description for each individual box and/or pallet in your shipment. Check that the numbers and descriptions on your checklist match identically to those on the cartons. Make sure that the pool type, model, shape, and size also line up perfectly. If something is off, even by one number, check to make sure that you have the correct checklist for your pool type and if so, contact our support team immediately at [support@royalswimmingpools.com](mailto:support@royalswimmingpools.com).

√	Qty	Carton Product Number #	Carton Content Description
<input type="checkbox"/>	1	CRHER1852-SSPSRH1	CTN: HER 18-52 CRV-SIDE COMP
<input type="checkbox"/>	1	WSAH52S-WMN18-682	WALL 18 SAHARA52

Once you have all of the cartons listed above, continue to the next page. There should be one table per carton and each carton should be gone through entirely before moving on to the next.

Please ensure that you have received the proper quantity for each item listed.

**DO NOT THROW CARTONS/BOXES AWAY UNTIL AFTER THE INSTALLATION IS COMPLETE. We recommend taking photos of all labels/stickers on the boxes.**

In the unlikely event that you are missing items, please refer to the document Inventory Checklist and Reporting Missing Items that was previously emailed to you.

Once you have ALL items listed on the entire inventory checklist, refer to your safety handbook and installation manual before you start the building process.

CUSTOMER SUPPORT CAN BE REACHED AT ANY OF THE FOLLOWING:

CALL: 901-372-1773

TEXT: 901-472-7797

EMAIL: [support@royalswimmingpools.com](mailto:support@royalswimmingpools.com)



## Carton Breakdown

# LEGACY OUTBACK 18' ROUND 52''

<b>Carton # CRHER1852-SSPSRH1 CTN: HER 18-52 CRV-SIDE COMP</b>				
√	Key #	Qty	Part #	Part Description
<input type="checkbox"/>	A	13	38503	INR STAB SQ STL 9'0"R 54-1/8" BLACK
<input type="checkbox"/>	B	12	12321 or 38738	BTM RAIL STL MOMT 9'0"R 54-7/16" CMN BLACK
<input type="checkbox"/>	C	12	22761	TOP PLATE 6" INDIANA GF [H]
<input type="checkbox"/>	D	12	22759	UR 6" SAND TXT 51 5/8" IND/HER
<input type="checkbox"/>	E	12	22755	TR 7" SAND TXT CMN 55 13/16" INDIANA
<input type="checkbox"/>	F	14	10296	PLASTIC COPING SINGLE 48" FOR METAL STAB
<input type="checkbox"/>	G	12	22735	TC 7" CHAMPAGNE BOOT [H1]
<input type="checkbox"/>	H	12	22734	TC 7" CHAMPAGNE INNER HALF [H1]
<input type="checkbox"/>	I	12	22732	TC 7" CHAMPAGNE OUTER HALF CVD [H1]
<input type="checkbox"/>	*	1	36878	BACKYARD LEISURE CONSUMER DVD
<input type="checkbox"/>	*	1	95-0007	ENVELOPES SAFETY COMPLETE
<input type="checkbox"/>	*	1	44-10007	HARDWARE POOL LIT ZY 7

\*Below items will contain no actual pool parts; just packaging/shipping materials

Qty	Part #	Part Description
1	97-1357B	CARTON-EMPTY [2XT] ID 58-5/16X20X9-5/8 ETC48 BOT
1	97-1357T	CARTON-EMPTY [2XT] ID 58-5/16X21-1/2X5-3/4 ETC48 TOP

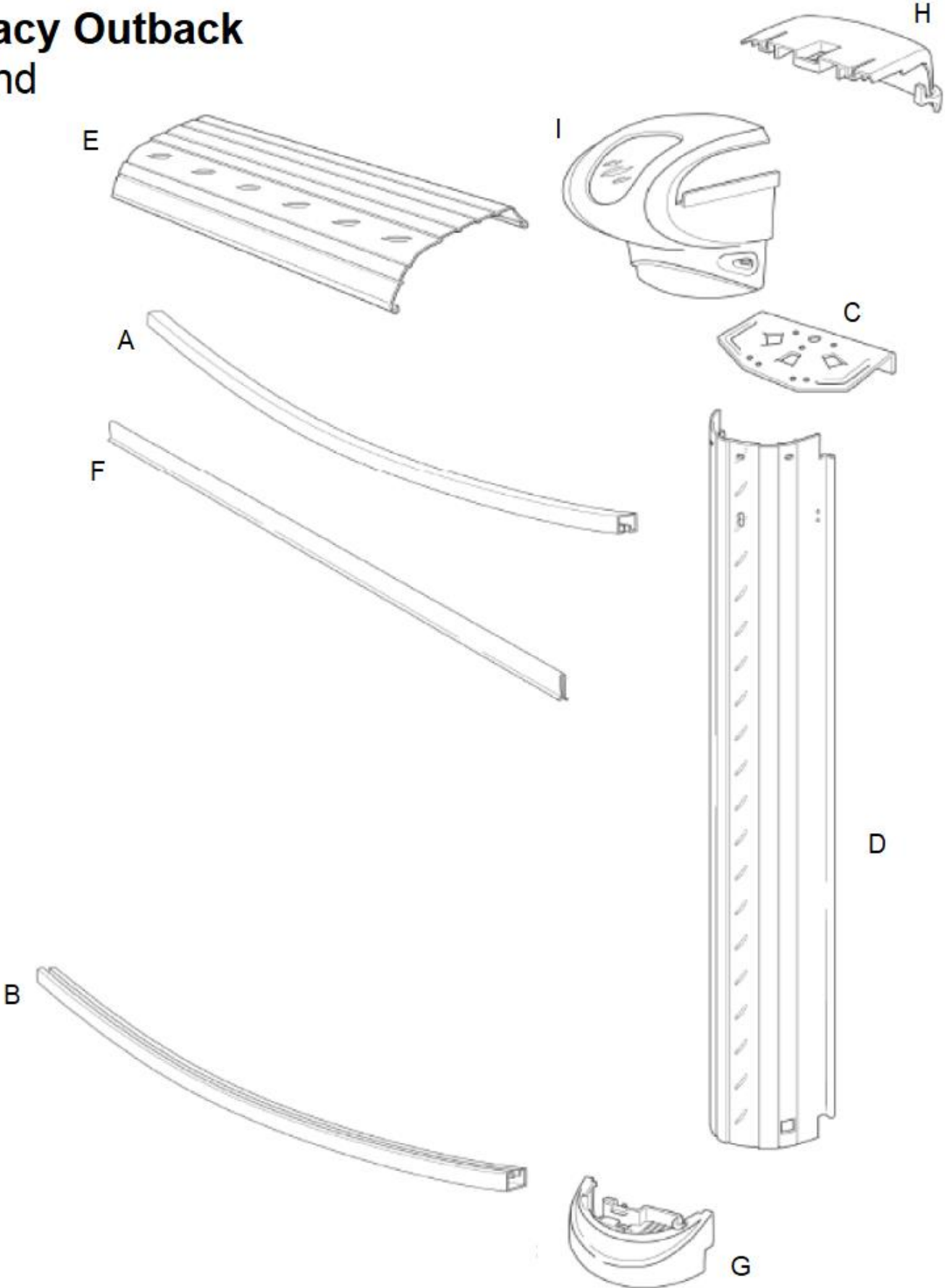
CUSTOMER SUPPORT CAN BE REACHED AT ANY OF THE FOLLOWING:

CALL: 901-372-1773

TEXT: 901-472-7797

EMAIL: [support@royalswimmingpools.com](mailto:support@royalswimmingpools.com)

# Legacy Outback Round



CUSTOMER SUPPORT CAN BE REACHED AT ANY OF THE FOLLOWING:  
CALL: 901-372-1773  
TEXT: 901-472-7797  
EMAIL: [support@royalswimmingpools.com](mailto:support@royalswimmingpools.com)