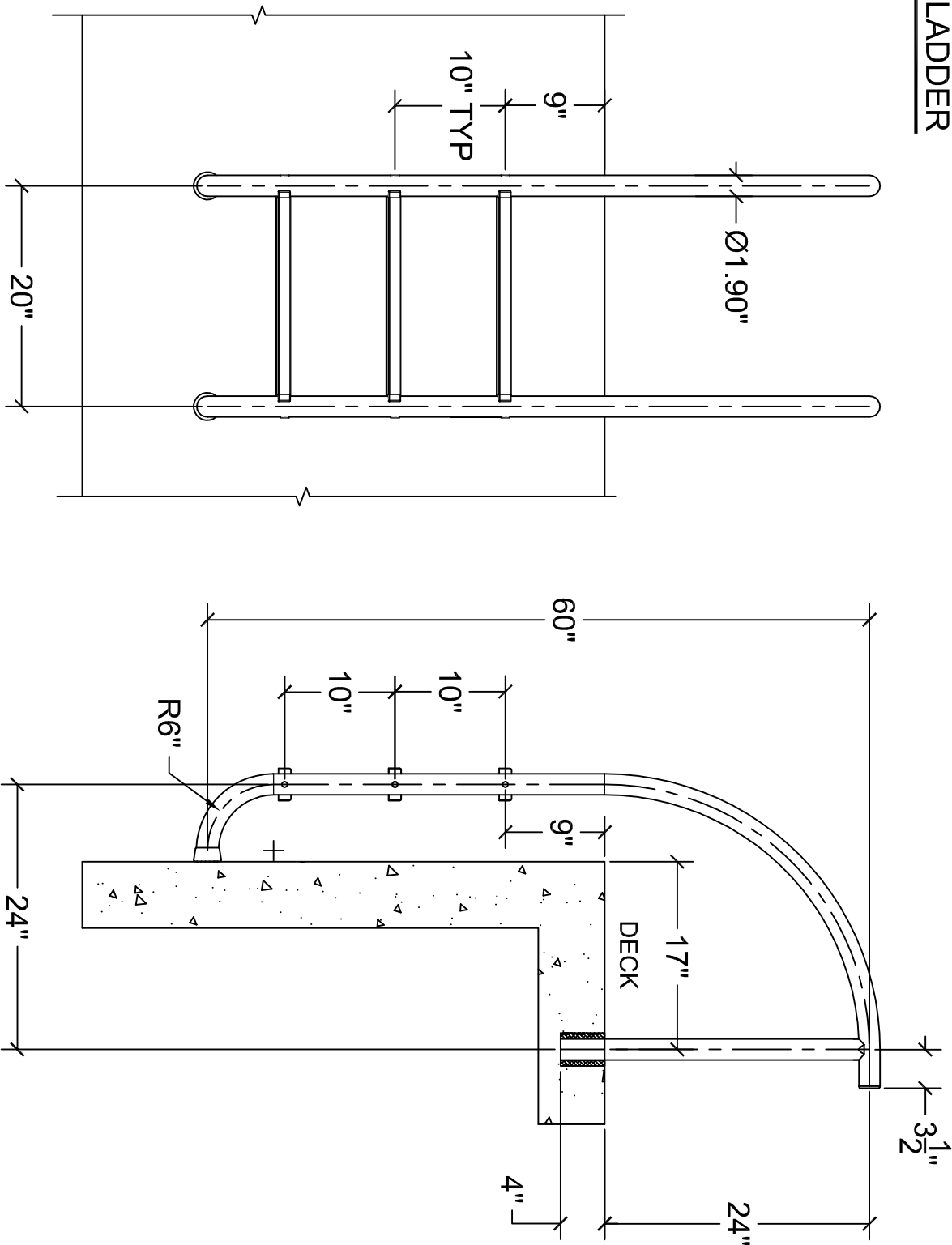


PTL-224-3S POOL LADDER

SAFTRON MANUFACTURING



SAFTRON

Saftron Safety Railing

6012 33rd St E | Bradenton, FL 34203

Phone: 305.233.5511 | Fax: 941.751.2802

Website: www.saftron.com

PROJECT: PTL-224-3S CURVED 3-STEP LADDER

CUSTOMER: SAFTRON-TRITON SERIES

APPROVED BY: SAFTRON

DATE: 03/13/2017

QTY: | COLOR:

ISSUED: 03/09/2017

SCALE: NTS

DRAW. NO. PTL-224-3S