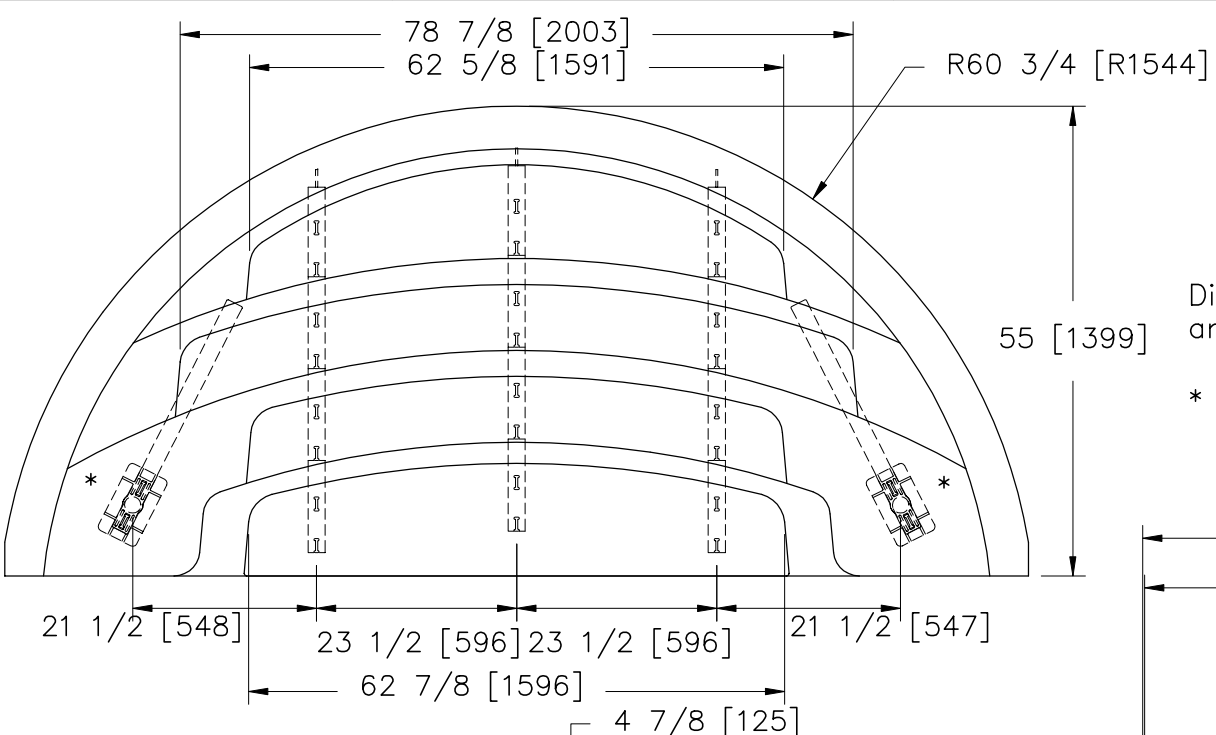


A

B

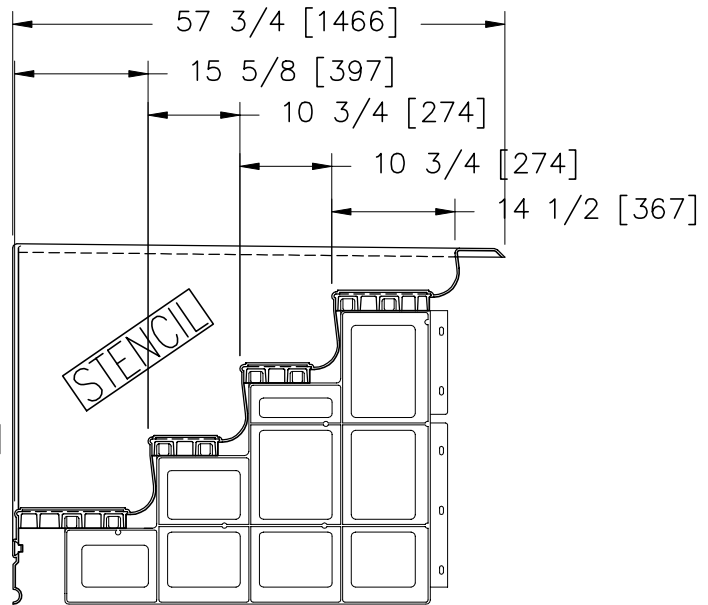
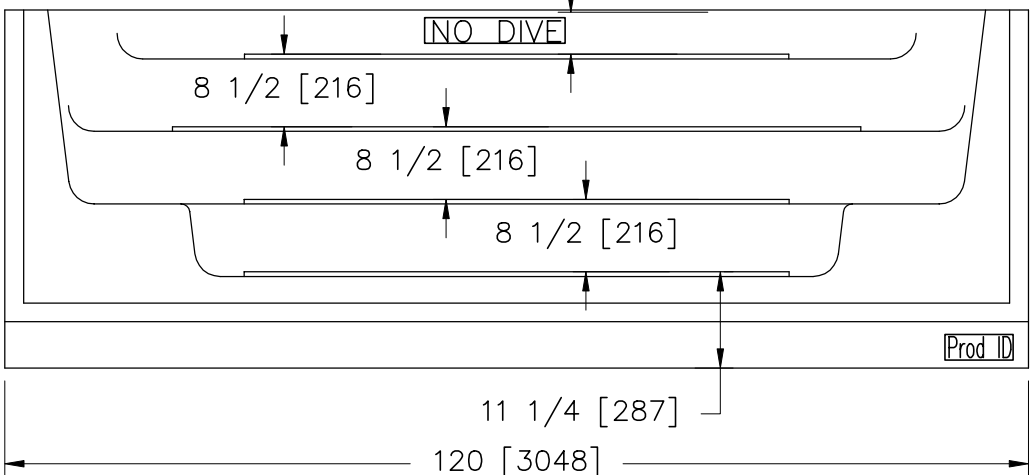
C

D



Dimensions shown are approx.
and are for planning only

* PH336 SUPPORT PAD



CAT. NUMBERS
ST1025 - WHITE
ST10251 - GRANITE

CONFIDENTIAL INFORMATION

ALL MATERIAL CONTAINED HERIN IS THE EXCLUSIVE PROPERTY OF PACIFIC INDUSTRIES AND MAY NOT BE COPIED OR DUPLICATED IN ANY FORM OR USED FOR ANY COMMERCIAL PURPOSE WITHOUT THE EXPRESSED WRITTEN CONSENT OF PACIFIC INDUSTRIES.

ZONE		REV	DESCRIPTION	DATE	APPROVED
SHEET	A		UPDATE DRAWING FILE	11-22-96	TL
SHEET	B		ADD METRIC DATA	11-17-00	TL
4B	C		ADD GRANITE CAT. NUMBER TO DRAWING	04-24-01	TL

CUSTOMER		PACIFIC INDUSTRIES	
UNLESS OTHERWISE SPECIFIED: DIMENSIONS ARE IN INCHES TOLERANCES		PRODUCT	
DECIMALS .XX ± .05 .XXX ± .010 DO NOT SCALE DRAWING	ANGULAR ± 0.5°	PERFORMANCE STEP	
DRAWN		PART NAME	
DATE		10' [3.05M]	
CHECKED	SIZE LETTER	CAT. NO.	DWG. NO.
DESIGN	SCALE	NO SCALE	PACIFIC\STEP\10-FOOT\ST1025.DWG
		PROJ. NO.	SHEET OF
			REV C



1

2

3

4