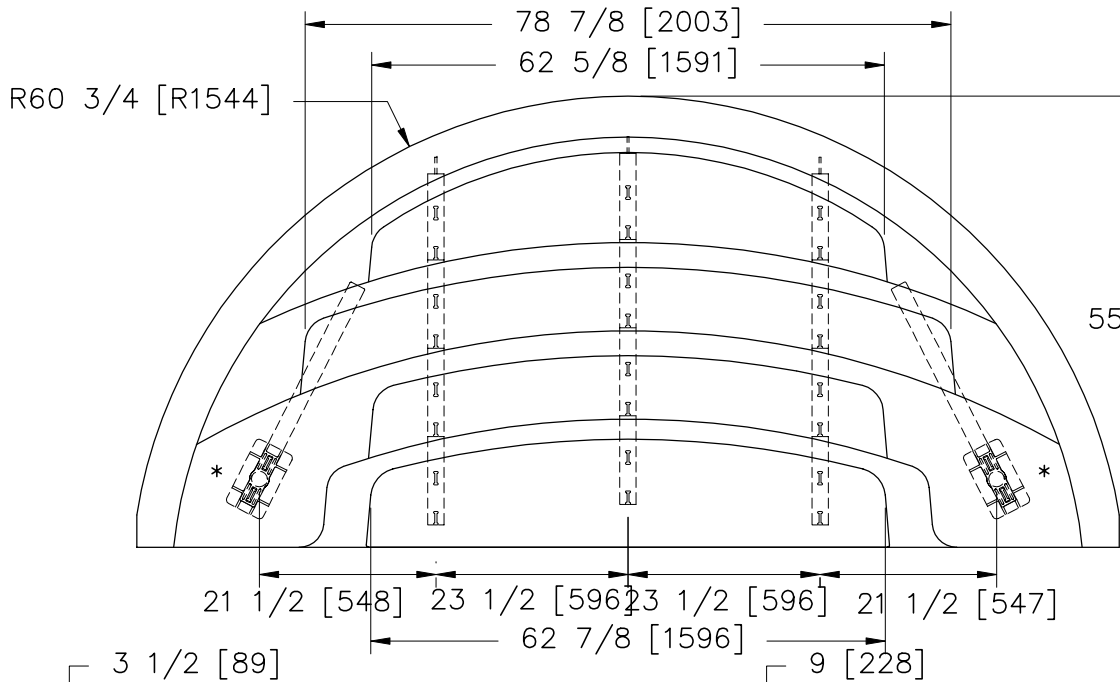


A

B

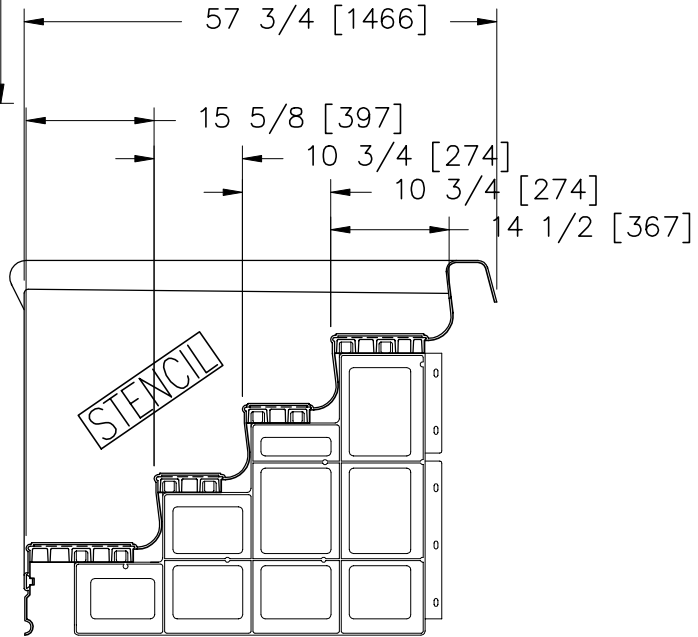
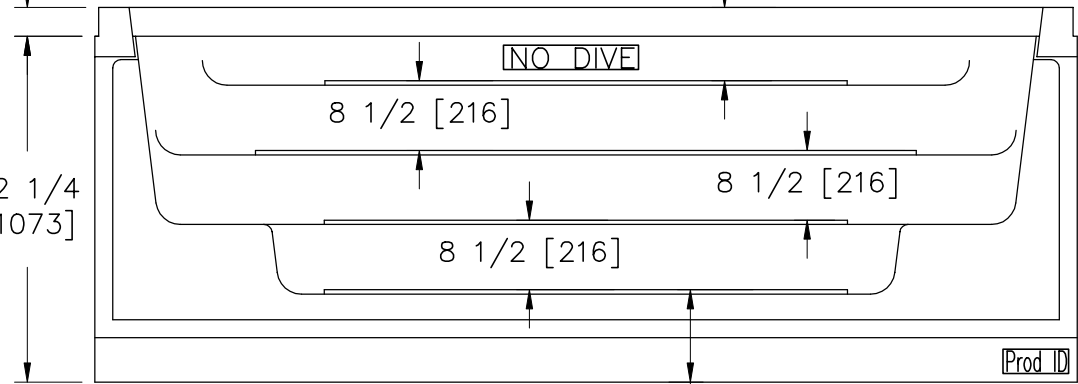
C

D



Dimensions shown are approximate and are for planning only

* PH336 SUPPORT PAD



REVISIONS				
ZONE	REV	DESCRIPTION	DATE	APPROVED
SHEET	A	UPDATE DRAWING FILE	11-22-96	TL
SHEET	B	ADD METRIC DATA	11-17-00	TL
CUSTOMER: PACIFIC INDUSTRIES				
UNLESS OTHERWISE SPECIFIED: DIMENSIONS ARE IN INCHES TOLERANCES DECIMALS .XX ± .05 ANGULAR ± 0.5° .XXX ± .010 DO NOT SCALE DRAWING			PRODUCT: PERFORMANCE STEP	
DRAWN			PART NAME: 10' [3.05M] ROMAN	
DATE			PROJ. NO.	
CHECKED			SCALE: NO SCALE	SHEET OF
DESIGN			CAT. NO. ST1024	DWG. NO. PACIFIC\STEP\10-FOOT\ST1024.DWG
			REV B	

CONFIDENTIAL INFORMATION

ALL MATERIAL CONTAINED HERIN IS THE EXCLUSIVE PROPERTY OF PACIFIC INDUSTRIES AND MAY NOT BE COPIED OR DUPLICATED IN ANY FORM OR USED FOR ANY COMMERCIAL PURPOSE WITHOUT THE EXPRESSED WRITTEN CONSENT OF PACIFIC INDUSTRIES.

