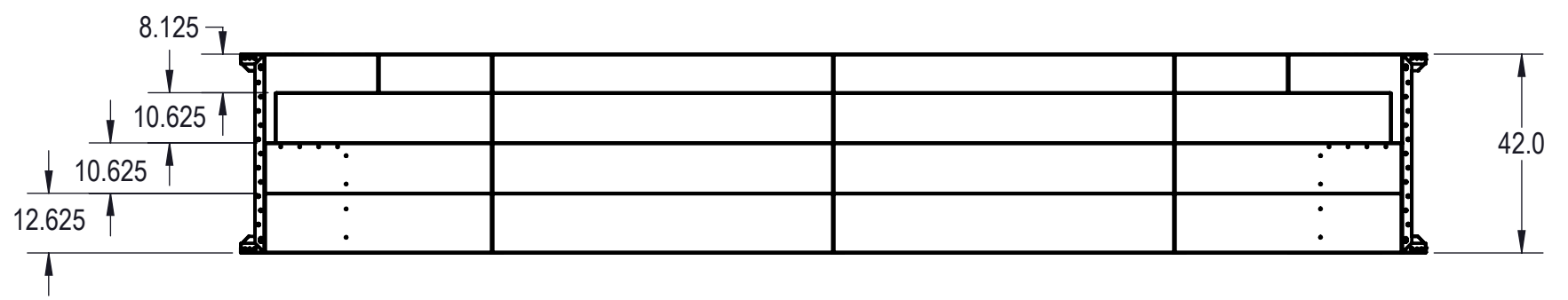
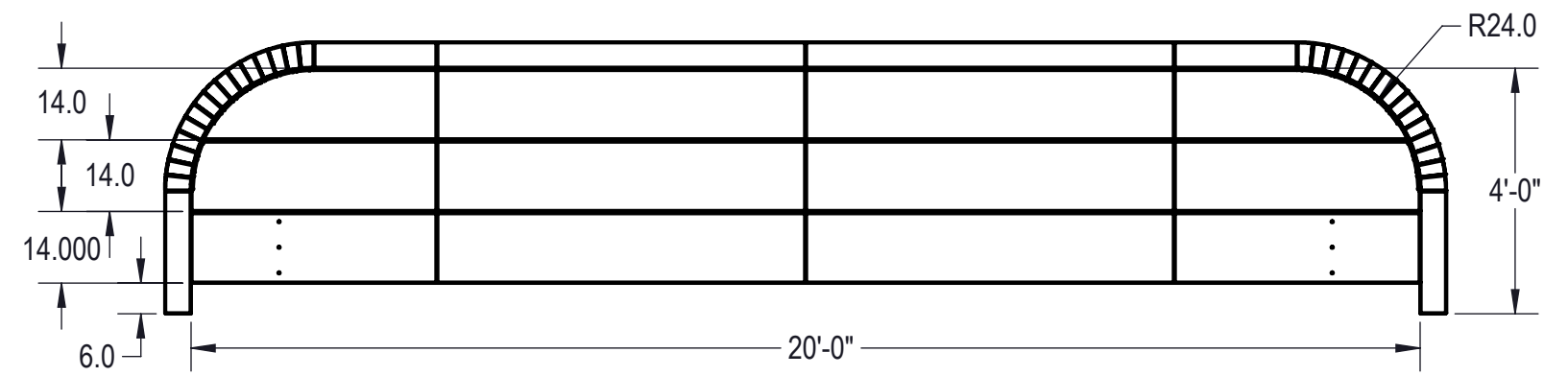
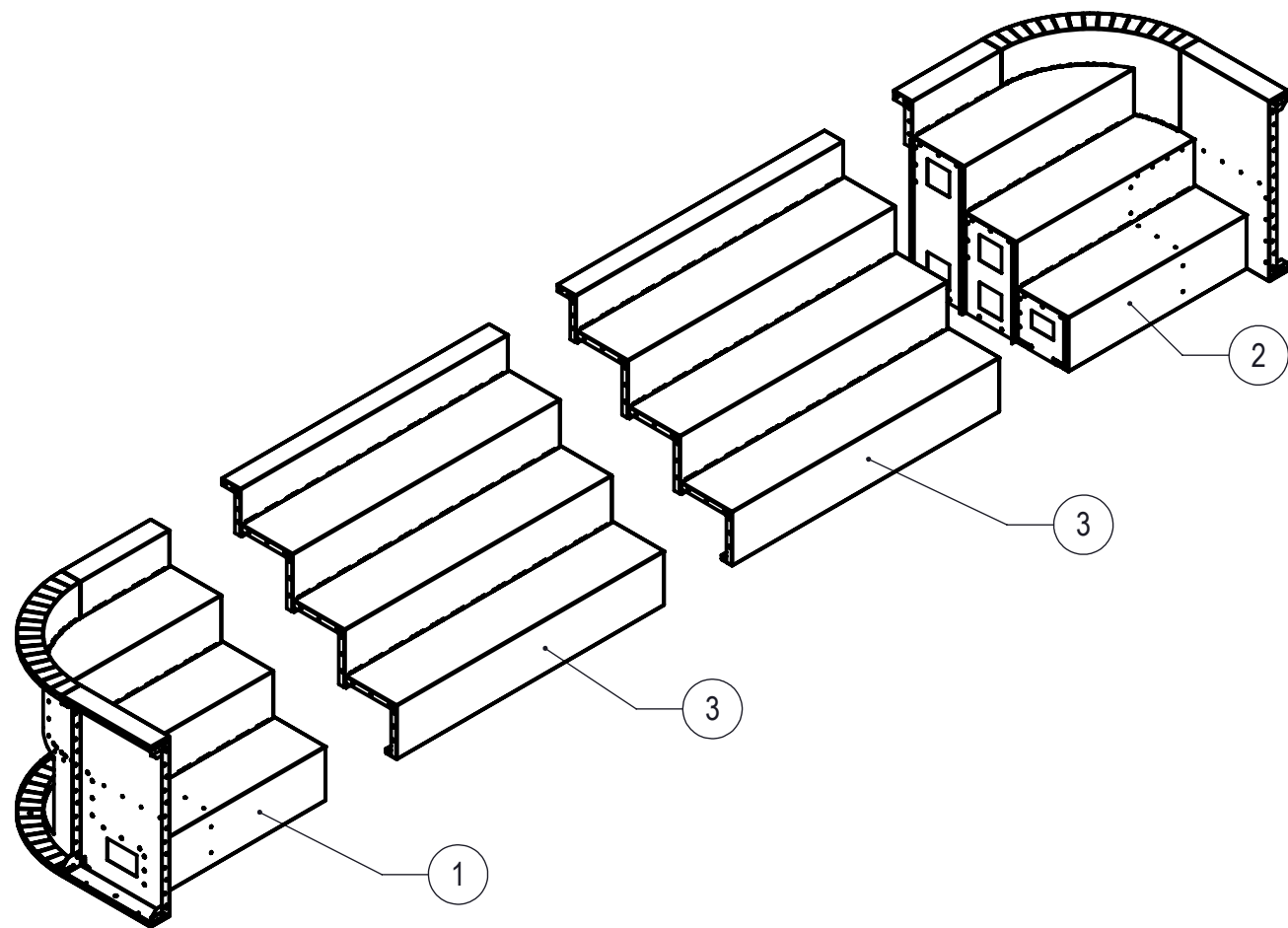


REVISION HISTORY				
REV.	DESCRIPTION	DATE	ECO	BY
A	RELEASED FOR PRODUCTION	10/24/2014		LNELSON
B		7/23/2015		JBOSSERDET



USE 00004122 BENCH ADAPTOR ON RIGHT SIDE
 USE 00004135 BENCH ADAPTOR ON LEFT SIDE

- NOTES:**
- THESE ARE FINISHED DIMENSIONS READY FOR THE LINER.
 - DIMENSIONS ARE FROM INSIDE POOL PANELS.
 - THE IDEAL WATER LEVEL SHOULD BE TO THE MIDDLE OF THE SKIMMER OPENING(S).
- EXCAVATION NOTES:**
- ROUGH EXCAVATION SHOULD BE 2" DEEPER IN EACH INSTANCE.
 - SOIL TO HAVE MINIMUM BEARING CAPACITY OF 1500 PSF.
 - LOCATE TOP OF POOL AT LEAST 6" ABOVE THE SURROUNDING LAND ELEVATION.
 - SEE "OVER DIG DETAIL" FOR EXCAVATION AROUND POOL.
 - FILL VOIDS UNDER BASE OF PANELS AND TAMP WELL.
 - BACK FILL WITH NON-EXPANSIVE MATERIAL.
 - ANSI / APSP / ICC-5 FOR RESIDENTIAL POOLS, 2003-2007 BOCA CODE SECTION 421.
- IMPORTANT NOTES:**
- THIS DOCUMENT IS FOR ILLUSTRATIVE PURPOSES ONLY. THE DEALER OR CONTRACTOR WHO SELLS OR INSTALLS YOUR POOL IS AN INDEPENDENT CONTRACTOR AND IS NOT AN AGENT OF THE MANUFACTURER. THE CONSTRUCTION METHODS ILLUSTRATED HERE ARE SUGGESTIONS AND APPLY ONLY TO NORMAL GROUND CONDITIONS. THERE MAY BE ADDITIONAL PRECAUTIONS AND/OR METHODS OF CONSTRUCTION. PROPER INSTALLATION IS THE RESPONSIBILITY OF THE DEALER/BUILDER/CONTRACTOR.

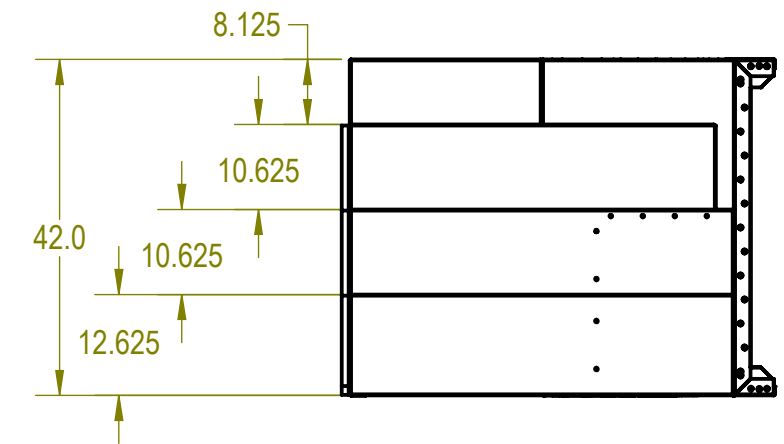
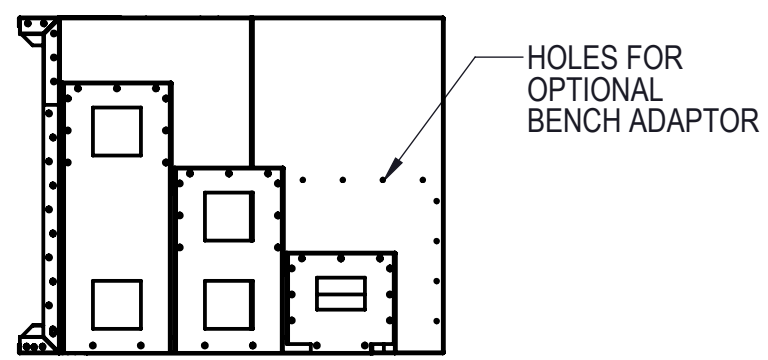
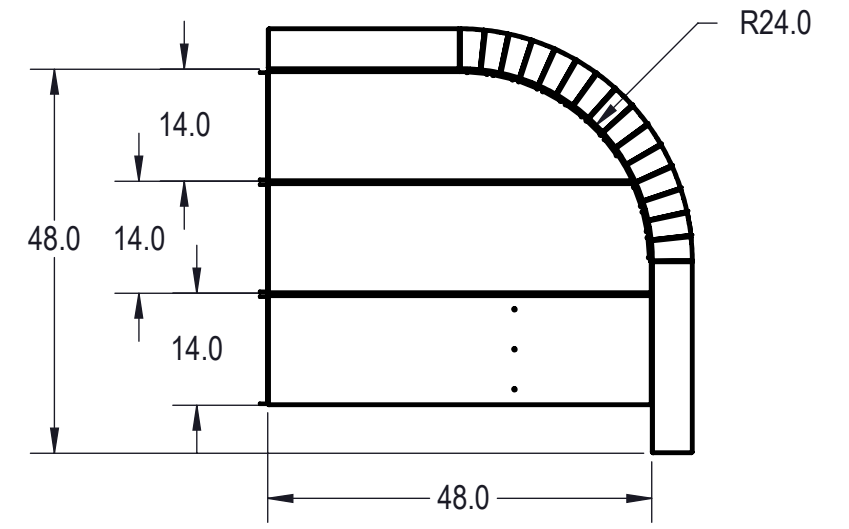
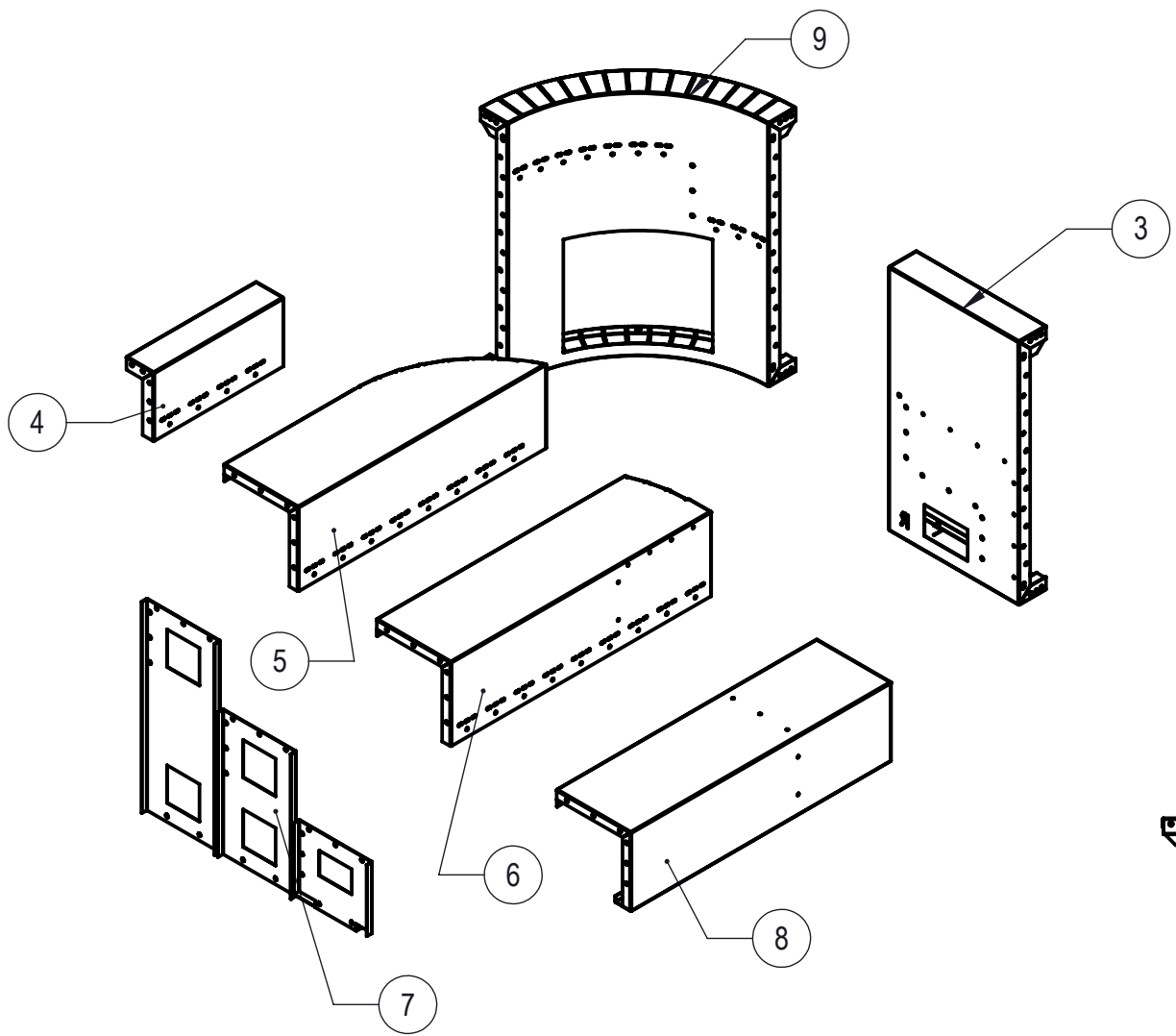
ITEM	FILE NAME	DESCRIPTION	CUSTOMER DRAWING #	VENDOR PART #	Defa ult/Q TY.	VENDOR NAME	MATERIAL
1	00004128	STEP, 3 TREAD, 2' RADIUS, LEFT END, BENCH OPTION, SUB ASSEMBLY	HSS3M2RBL		1		
2	00004108	STEP, 3 TREAD, 2' RADIUS, RIGHT END, BENCH OPTION, SUB ASSEMBLY	HSS3M2RRTB		1		
3	00004218	STEP, 3 TREAD, 6' LONG, SUB ASSEMBLY	HSS3M6		2		

ENGINEERING DRAWING NUMBER 00008023	WEIGHT: 809.1 lbs	UNLESS OTHERWISE SPECIFIED DESIGNED BY: LNELSON 10/16/2014 DETAILED BY: JBOSSERDET 10/16/2014 LAST REVISED BY: jbosserdet 7/23/2015 MATERIAL: CREATION DATE: 10/16/2014 DETAILED DATE: 10/16/2014 LAST REVISED DATE: 7/23/2015	TITLE: STEP, 3 TREAD, 20', ACROSS END, 2' RADIUS CORNER, MODULAR, ASSEMBLY
	VOLUME: Inch ³		
	COLOR:		
	HEAT TREAT:		
FINISH:	DIMENSIONS ARE IN INCHES TOLERANCES DECIMALS: X ± .1 XX ± .01 XXX ± .001 XXXX ± .0005 ANGULAR: X ± 0.5 THIRD ANGLE PROJECTION	SAMSON STEEL	
TEXTURE:			PART NUMBER: 00008023

SCALE: 1:24
SHEET: 1 OF 4
SIZE: B

CHECK IN DATE/TIME: Thursday, July 23, 2015 12:46:31 PM

REVISION HISTORY				
REV.	DESCRIPTION	DATE	ECO	BY
C	UPDATED DESCRIPTION	04/21/14	NONE	RCOLBOCH
D	ADDED CUSTOMER NUMBER	04/24/14	NONE	RCOLBOCH
E	ADDED BENCH ADAPTOR (SUPPRESSED)	10/9/2014	NONE	LNELSON



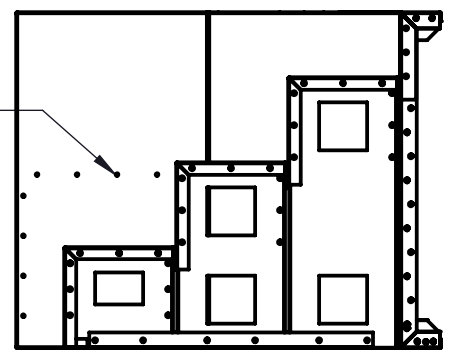
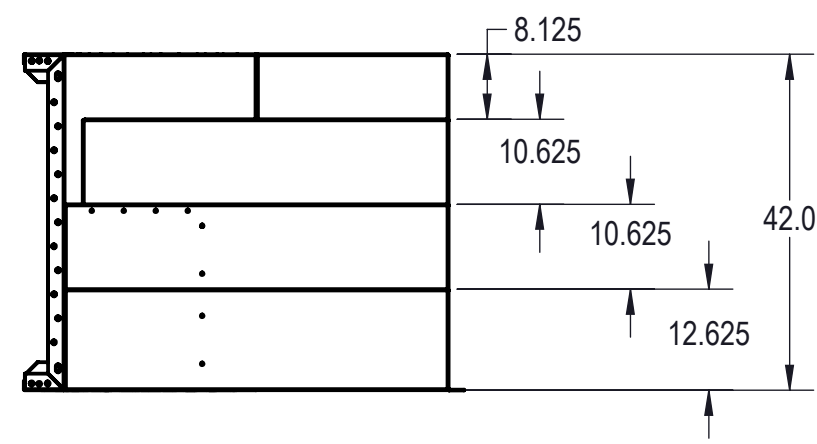
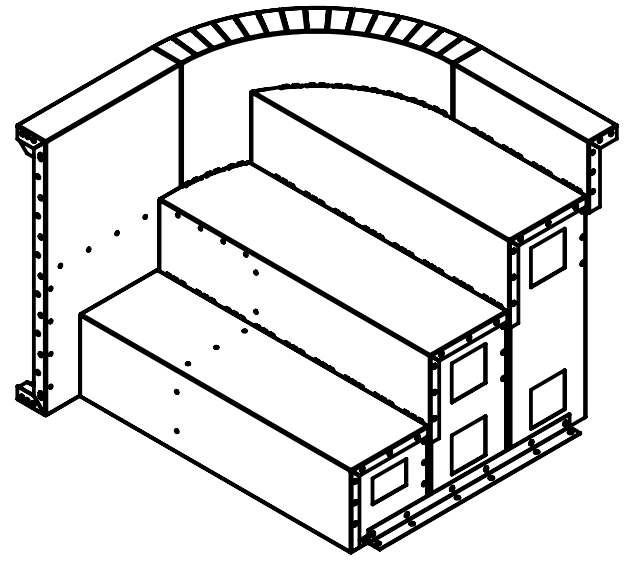
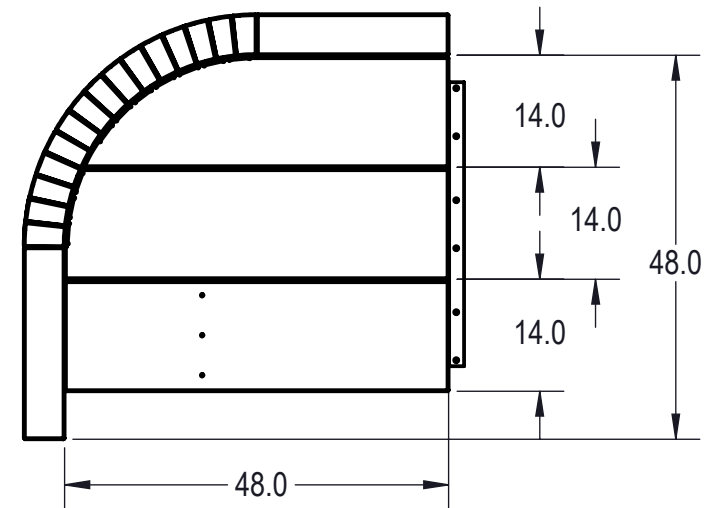
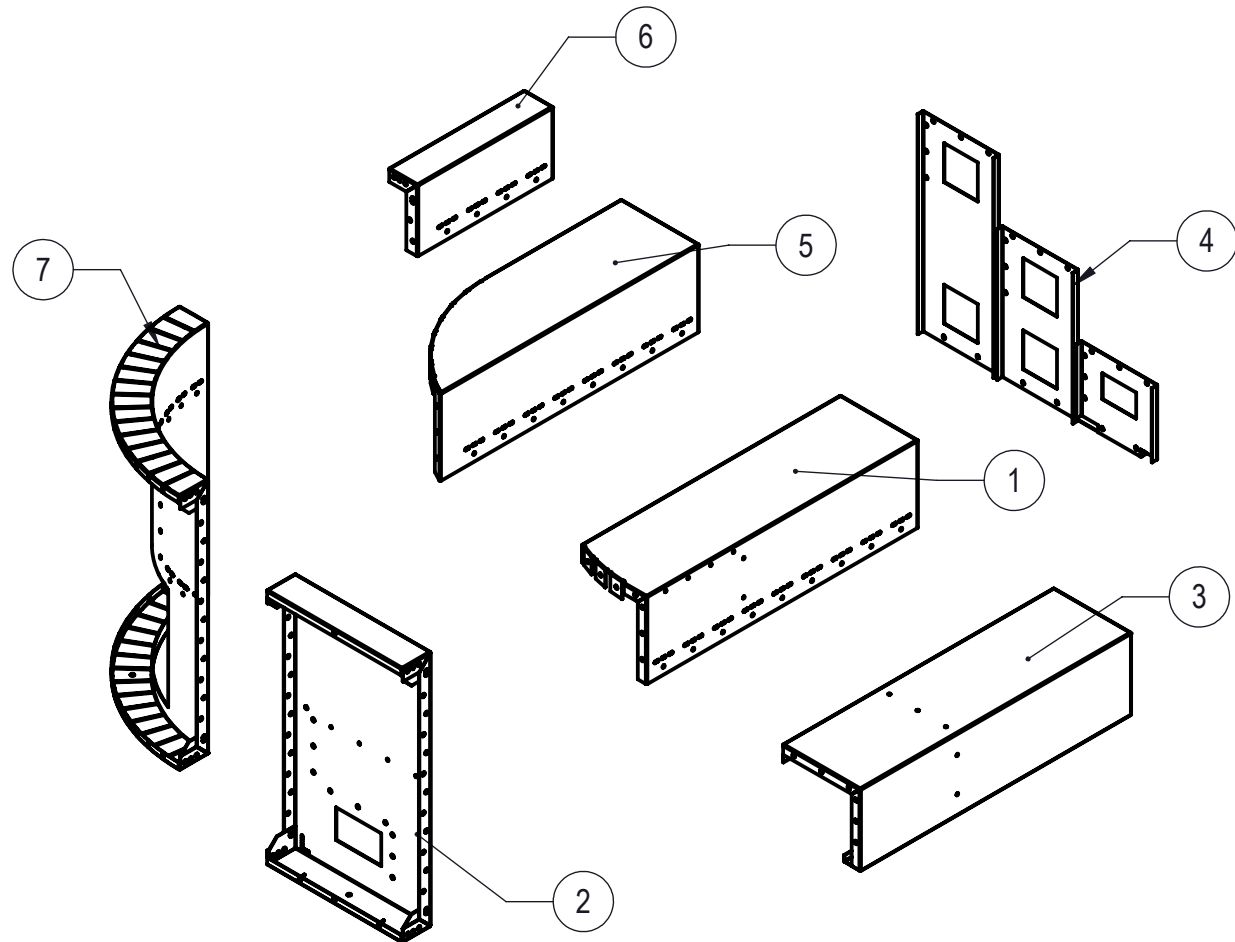
- NOTES:**
- THESE ARE FINISHED DIMENSIONS READY FOR THE LINER.
 - DIMENSIONS ARE FROM INSIDE POOL PANELS.
 - THE IDEAL WATER LEVEL SHOULD BE TO THE MIDDLE OF THE SKIMMER OPENING(S).
- EXCAVATION NOTES:**
- ROUGH EXCAVATION SHOULD BE 2" DEEPER IN EACH INSTANCE.
 - SOIL TO HAVE MINIMUM BEARING CAPACITY OF 1500 PSF.
 - LOCATE TOP OF POOL AT LEAST 6" ABOVE THE SURROUNDING LAND ELEVATION.
 - SEE "OVER DIG DETAIL" FOR EXCAVATION AROUND POOL.
 - FILL VOIDS UNDER BASE OF PANELS AND TAMP WELL.
 - BACK FILL WITH NON-EXPANSIVE MATERIAL.
 - ANSI / APSP / ICC-5 FOR RESIDENTIAL POOLS, 2003-2007 BOCA CODE SECTION 421.
- IMPORTANT NOTES:**
- THIS DOCUMENT IS FOR ILLUSTRATIVE PURPOSES ONLY. THE DEALER OR CONTRACTOR WHO SELLS OR INSTALLS YOUR POOL IS AN INDEPENDENT CONTRACTOR AND IS NOT AN AGENT OF THE MANUFACTURER. THE CONSTRUCTION METHODS ILLUSTRATED HERE ARE SUGGESTIONS AND APPLY ONLY TO NORMAL GROUND CONDITIONS. THERE MAY BE ADDITIONAL PRECAUTIONS AND/OR METHODS OF CONSTRUCTION. PROPER INSTALLATION IS THE RESPONSIBILITY OF THE DEALER/BUILDER/CONTRACTOR.

USE 00004122
BENCH ADAPTOR

ITEM	FILE NAME	DESCRIPTION	CUSTOMER DRAWING #	VENDOR PART #	QTY.	VENDOR NAME	MATERIAL
1	00000306	HNUIT 0.3750-16-D-N		H03163	102	HYDRA POOLS	AISI 1020
2	00000305	HBOLT 0.3750-16x1-N		H03162	102	HYDRA POOLS	AISI 1020
3	00004109	PANEL, STEP, 3 TREAD, 2' RADIUS, RIGHT SIDE, BENCH OPTION, ASSEMBLY			1		
4	00004111	TREAD, STEP, 3 TREAD, 2' RADIUS, "A", RIGHT, 2' LONG			1	SAMSON STEEL	G- 235,14 GA
5	00004112	TREAD, STEP, 3 TREAD, 2' RADIUS, "B", RIGHT, 4' LONG			1	SAMSON STEEL	G- 235,14 GA
6	00004113	TREAD, STEP, 3 TREAD, 2' RADIUS, "C", RIGHT, 4' LONG			1	SAMSON STEEL	G- 235,14 GA
7	00004115	SUPPORT, CENTER, 3 TREAD STEP, ASSEMBLY			1		
8	00004114	TREAD, STEP, 3 TREAD, "D", BENCH OPTION, 4' LONG, RIGHT SIDE			1	SAMSON STEEL	G- 235,14 GA
9	00004110	PANEL, 2' RADIUS, STEP, 2' RADIUS, CORNER ASSEMBLY			1		

ENGINEERING DRAWING NUMBER: 00004108	WEIGHT: 204.8 lbs	UNLESS OTHERWISE SPECIFIED DIMENSIONS ARE IN INCHES TOLERANCES DECIMALS: X ± 0.1 XX ± 0.01 XXX ± 0.005 XXXX ± 0.0005 ANGULAR: X ± 0.5 THIRD ANGLE PROJECTION	DESIGNED BY: LNELSON	CREATION DATE: 10/1/2013	SAMSON STEEL
	VOLUME: Inch ³		DETAILED BY: JBOSSERDET	DETAILED DATE: 10/16/2014	
	COLOR:		LAST REVISED BY: jbosserdet	LAST REVISED DATE: 7/23/2015	
	HEAT TREAT:		MATERIAL:		
FINISH:					TITLE: STEP, 3 TREAD, 2' RADIUS, RIGHT END, BENCH OPTION, SUB ASSEMBLY
TEXTURE:					PART NUMBER: HSS3M2RRTB
					SCALE: 1:16
					SHEET: 2 OF 4
					SIZE: B

REVISION HISTORY				
REV.	DESCRIPTION	DATE	ECO	BY
A		10/24/2013		LNELSON
B	ADDED CUSTOMER NUMBER	2/23/2014		RCOLBOCH
C	CORRECTED STEP ADAPTOR MOUNTING HOLES	10/9/2014		LNELSON



NOTES:

- THESE ARE FINISHED DIMENSIONS READY FOR THE LINER.
- DIMENSIONS ARE FROM INSIDE POOL PANELS.
- THE IDEAL WATER LEVEL SHOULD BE TO THE MIDDLE OF THE SKIMMER OPENING(S).

EXCAVATION NOTES:

- ROUGH EXCAVATION SHOULD BE 2" DEEPER IN EACH INSTANCE.
- SOIL TO HAVE MINIMUM BEARING CAPACITY OF 1500 PSF.
- LOCATE TOP OF POOL AT LEAST 6" ABOVE THE SURROUNDING LAND ELEVATION.
- SEE "OVER DIG DETAIL" FOR EXCAVATION AROUND POOL.
- FILL VOIDS UNDER BASE OF PANELS AND TAMP WELL.
- BACK FILL WITH NON-EXPANSIVE MATERIAL.
- ANSI / APSP / ICC-5 FOR RESIDENTIAL POOLS, 2003-2007 BOCA CODE SECTION 421.

IMPORTANT NOTES:

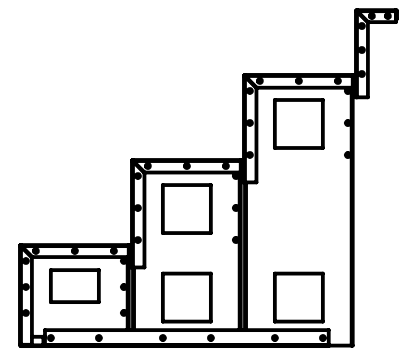
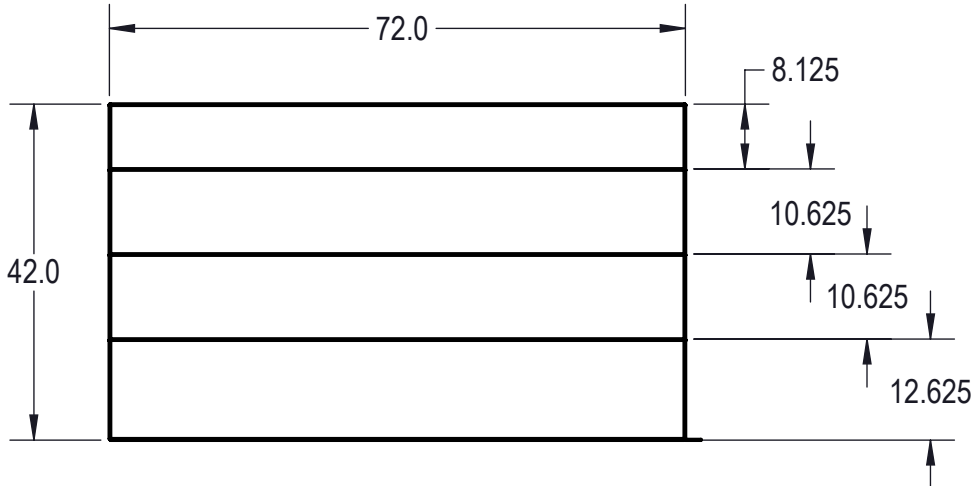
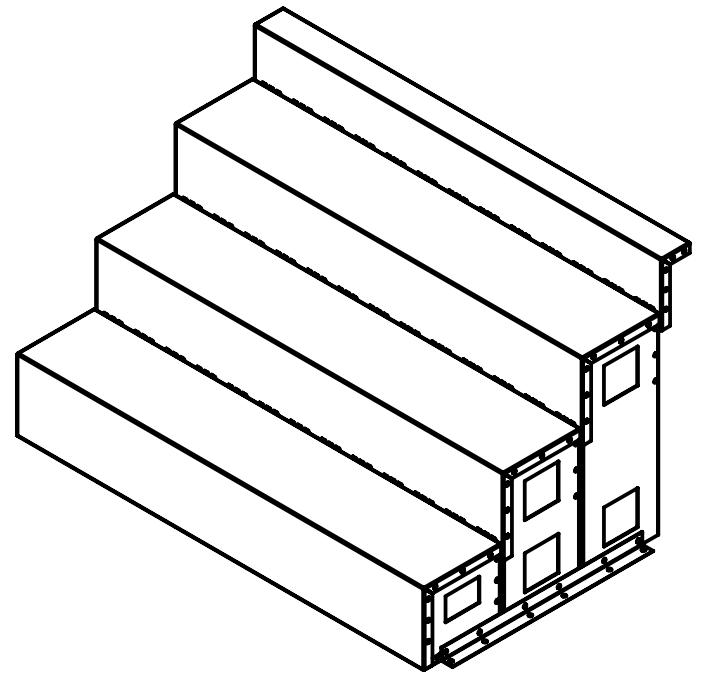
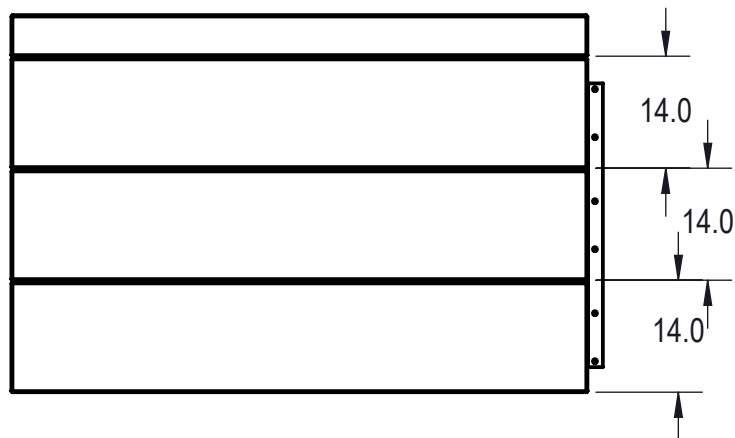
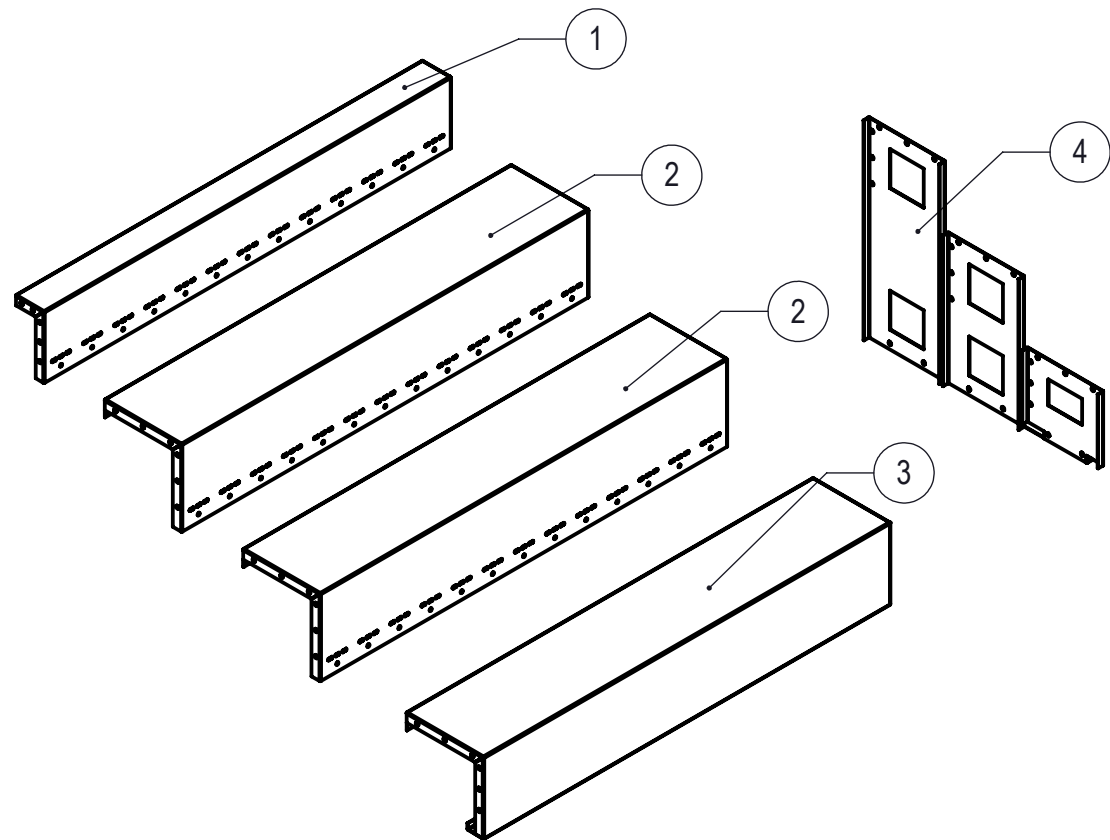
- THIS DOCUMENT IS FOR ILLUSTRATIVE PURPOSES ONLY. THE DEALER OR CONTRACTOR WHO SELLS OR INSTALLS YOUR POOL IS AN INDEPENDENT CONTRACTOR AND IS NOT AN AGENT OF THE MANUFACTURER. THE CONSTRUCTION METHODS ILLUSTRATED HERE ARE SUGGESTIONS AND APPLY ONLY TO NORMAL GROUND CONDITIONS. THERE MAY BE ADDITIONAL PRECAUTIONS AND/OR METHODS OF CONSTRUCTION. PROPER INSTALLATION IS THE RESPONSIBILITY OF THE DEALER/BUILDER/CONTRACTOR.

USE 00004135
BENCH ADAPTOR

ITEM	FILE NAME	DESCRIPTION	CUSTOMER DRAWING #	VENDOR PART #	QTY.	VENDOR NAME	MATERIAL
1	00004133	TREAD, STEP, 3 TREAD, 2' RADIUS, "C", LEFT SIDE			1	SAMSON STEEL	G-235,14 GA
2	00004129	PANEL, STEP, 3 TREAD, 2' RADIUS, LEFT SIDE, BENCH OPTION, ASSEMBLY			1		
3	00004134	TREAD, STEP, 3 TREAD, "D", BENCH OPTION, 4' LONG, LEFT SIDE			1	SAMSON STEEL	G-235,14 GA
4	00004115	SUPPORT, CENTER, 3 TREAD STEP, ASSEMBLY			1		
5	00004132	TREAD, STEP, 3 TREAD, 2' RADIUS, "B", LEFT SIDE			1	SAMSON STEEL	G-235,14 GA
6	00004131	TREAD, STEP, 3 TREAD, 2' RADIUS, "A", LEFT, 2' LONG			1	SAMSON STEEL	G-235,14 GA
7	00004130	PANEL, RADIUS, STEP, 3 TREAD, 2' RADIUS, RIGHT SIDE, BENCH OPTION, ASSEMBLY			1		
8	00000305	HBOLT 0.3750-16x1x1-N		H03162	102	HYDRA POOLS	AISI 1020
9	00000306	HNUT 0.3750-16-D-N		H03163	102	HYDRA POOLS	AISI 1020

ENGINEERING DRAWING NUMBER: 00004128	WEIGHT: 204.9 lbs	UNLESS OTHERWISE SPECIFIED DIMENSIONS ARE IN INCHES TOLERANCES DECIMALS: X ± 0.1 XX ± 0.01 XXX ± 0.005 XXXX ± 0.0005 ANGULAR: X ± 0.5 THIRD ANGLE PROJECTION	DESIGNED BY: LNELSON	CREATION DATE: 9/27/2013	SAMSON STEEL
	VOLUME: Inch ³		DETAILED BY: JBOSSERDET	DETAILED DATE: 10/16/2014	
	COLOR:		LAST REVISED BY: jbosserdet	LAST REVISED DATE: 7/23/2015	
	HEAT TREAT:		MATERIAL:		
FINISH:					TITLE: STEP, 3 TREAD, 2' RADIUS, LEFT END, BENCH OPTION, SUB ASSEMBLY
TEXTURE:					PART NUMBER: HSS3M2RBL
					SCALE: 1:24
					SHEET: 3 OF 4
					SIZE: B

REVISION HISTORY				
REV.	DESCRIPTION	DATE	ECO	BY
A	WORKING	10/24/2013		LNELSON
B	ADDED CUSTOMER NUMBER	04/23/14		RCOLBOGH



NOTES:

- THESE ARE FINISHED DIMENSIONS READY FOR THE LINER.
- DIMENSIONS ARE FROM INSIDE POOL PANELS.
- THE IDEAL WATER LEVEL SHOULD BE TO THE MIDDLE OF THE SKIMMER OPENING(S).

EXCAVATION NOTES:

- ROUGH EXCAVATION SHOULD BE 2" DEEPER IN EACH INSTANCE.
- SOIL TO HAVE MINIMUM BEARING CAPACITY OF 1500 PSF.
- LOCATE TOP OF POOL AT LEAST 6" ABOVE THE SURROUNDING LAND ELEVATION.
- SEE "OVER DIG DETAIL" FOR EXCAVATION AROUND POOL.
- FILL VOIDS UNDER BASE OF PANELS AND TAMP WELL.
- BACK FILL WITH NON-EXPANSIVE MATERIAL.
- ANSI / APSP / ICC-5 FOR RESIDENTIAL POOLS, 2003-2007 BOCA CODE SECTION 421.

IMPORTANT NOTES:

- THIS DOCUMENT IS FOR ILLUSTRATIVE PURPOSES ONLY. THE DEALER OR CONTRACTOR WHO SELLS OR INSTALLS YOUR POOL IS AN INDEPENDENT CONTRACTOR AND IS NOT AN AGENT OF THE MANUFACTURER. THE CONSTRUCTION METHODS ILLUSTRATED HERE ARE SUGGESTIONS AND APPLY ONLY TO NORMAL GROUND CONDITIONS. THERE MAY BE ADDITIONAL PRECAUTIONS AND/OR METHODS OF CONSTRUCTION. PROPER INSTALLATION IS THE RESPONSIBILITY OF THE DEALER/BUILDER/CONTRACTOR.

ITEM	FILE NAME	DESCRIPTION	CUSTOMER DRAWING #	VENDOR PART #	QTY.	VENDOR NAME	MATERIAL
1	00004219	TREAD, STEP, 3 TREAD, "A", 6' LONG			1	SAMSON STEEL	G- 235,14 GA
2	00004220	TREAD, STEP, 3 TREAD, "B", 6' LONG			2	SAMSON STEEL	G- 235,14 GA
3	00004221	TREAD, STEP, 3 TREAD, "C", 6' LONG			1	SAMSON STEEL	G- 235,14 GA
4	00004115	SUPPORT, CENTER, 3 TREAD STEP, ASSEMBLY			1		
5	00000305	HBOLT 0.3750-16x1x1-N		H03162	94	HYDRA POOLS	AISI 1020
6	00000306	HNUT 0.3750-16-D-N		H03163	94	HYDRA POOLS	AISI 1020

ENGINEERING DRAWING NUMBER: 00004218	WEIGHT: 199.7 lbs	UNLESS OTHERWISE SPECIFIED DIMENSIONS ARE IN INCHES TOLERANCES DECIMALS: X ± 0.1 XX ± 0.01 XXX ± 0.005 XXXX ± 0.0005 ANGULAR: X ± 0.5 THIRD ANGLE PROJECTION	DESIGNED BY: LNELSON	CREATION DATE: 9/27/2013	SAMSON STEEL
	VOLUME: Inch ³		DETAILED BY: JBOSSERDET	DETAILED DATE: 10/16/2014	
	COLOR:		LAST REVISED BY: jbosserdet	LAST REVISED DATE: 7/23/2015	
	HEAT TREAT:		MATERIAL:		
FINISH:					TITLE: STEP, 3 TREAD, 6' LONG, SUB ASSEMBLY
TEXTURE:					PART NUMBER: HSS3M6
					SCALE: 1:24
					SHEET: 4 OF 4
					SIZE: B