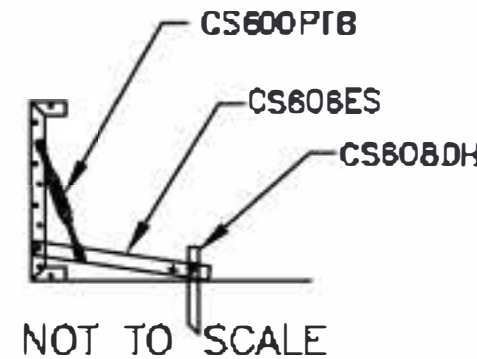
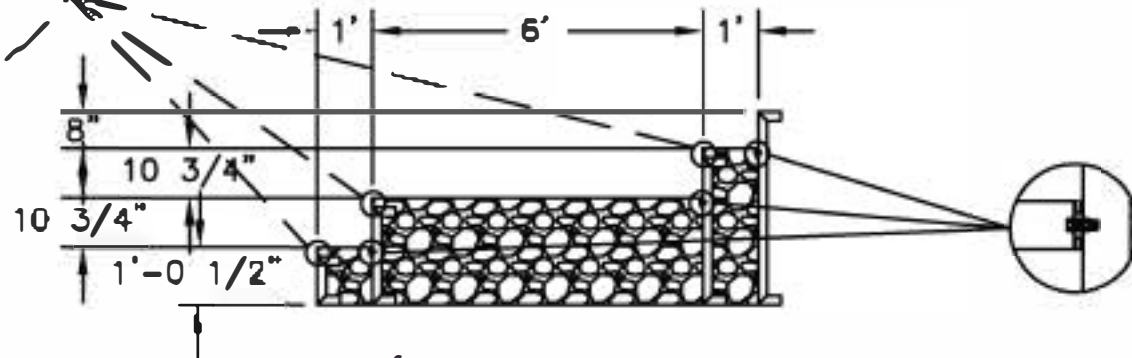
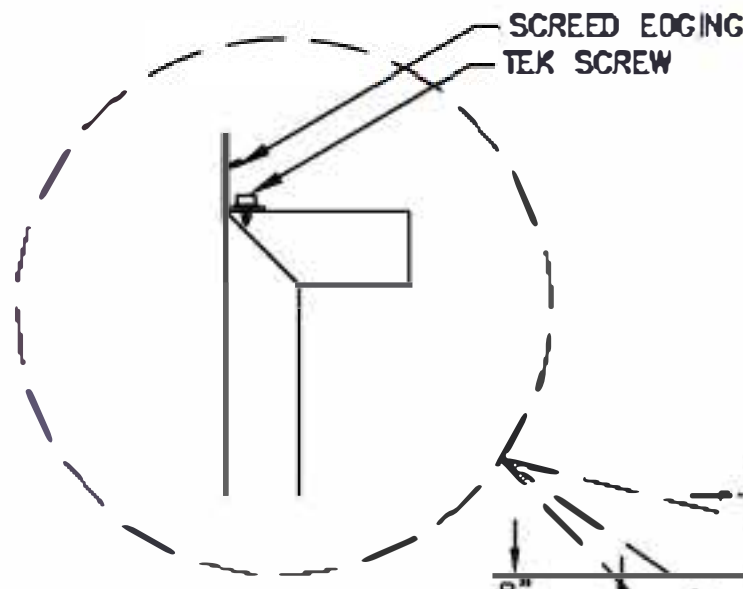


POSITION	PART NO.	QTY.	DESCRIPTION
A	SP2678	1	2'-0" STEP PANEL
B	5S42400XXX0	2	4'-0" PANEL
C	SP0908	1	3'-1 5/8" x 2'-0" RADIUS STEP PANEL
D	SP0108	5	4'-0" STEP PANEL
E	SP0911	1	3'-1 5/8" x 2'-0" RADIUS STEP PANEL
F	SP2679	1	2'-0" STEP PANEL
G	PT3088	1	4'-8 3/4" POURED TREAD
H	PT2258	2	5'-0" POURED TREAD
J	PT3089	1	4'-8 3/4" POURED TREAD
K	PT2257	4	5'-0" POURED TREAD
L	PT1887	4	5'-0" POURED TREAD
M	LT0005	7	4'-0" LINER TRACK
N	LT0020	6	5'-0" LINER TRACK
O	LT0296	2	4'-8" LINER TRACK
P	TS0007	8	1'-0" POURED TREAD SUPPORT
	SP0745-6N-3	4	BOX OF 3 - 6' LONG NOTCHED SCREED EDGE
	BP106ST	1	LARGE STEP BOLT PACK
	BP000TS	1	BOX OF TEK SCREWS
	HPSF08	10	A-FRAME TURNBUCKLE ASSEMBLY
	HPSSTAKE	14	DRIVE STAKE
	CS800PTB	4	TURNBUCKLE
	CS808ES	4	SHORT ANGLE
Q	PT1873	1	4'-0" POURED TREAD CENTER
S	PT1791	1	4'-0" POURED TREAD TOP
T	PT1875	1	4'-0" POURED TREAD BOTTOM



FIBERGLASS ROD TOTALS:

6' LENGTHS = _____

8' LENGTHS = _____

NOTE:
USE REBAR HOLE LOCATIONS TO PIN WALL AND STEP DECK SUPPORTS IN PLACE. THEN POUR 4"-6" OF CONCRETE AROUND THESE AREAS AND UNDER THE ASSEMBLY FOR REINFORCEMENT

Drawn By: **GA**

Date: **1/3/2020**

Scale: **3/16" =**

Notes: **SSL-42224**

This information is the confidential property of Cardinal Systems, Inc. Disclosure or duplication without proper written approval is strictly prohibited. Acceptance and use of this drawing constitutes knowledge and acceptance by the user of the terms and conditions set forth in the notice and warning which accompanied this drawing is incorporated herein and made part hereof and is found on Cardinal Systems, Inc's website at www.CardinalSystemsinc.com

