



POOL BREAKDOWN



WHISPERING WIND 18' x 33' OVAL 52'' STEEL TOP RAIL - STEEL VERTICAL

√	QTY	CARTON NUMBER	CARTON DESCRIPTION
	1	1-1833-901-819	ASSEMBLY PACK CARTON
	1	1-1800-904-806	VERTICAL PACK CARTON
	1	1-1204-905-816	TOP RAIL PACK CARTON
	1	1-1200-905-816	TOP RAIL SIDE CARTON
	1	1-2400-903-816	TOP CONNECTOR PACK
	1	1-1833-906-209	SIDEWALL CARTON
	1	1-1304-907	SIDE SUPPORT CARTON
	1	1-1306-907	SIDE SUPPORT CARTON
	1	1-8888-004	SUPPORT BASE CARTON
	1	1-8888-006	SUPPORT BASE CARTON



CARTON BREAKDOWN

✓	ITEM	QTY	PART NUMBER	DESCRIPTION
ASSEMBLY PACK # 1-1833-901-819				
	3	11	583-1011	Stabilizer Rail (Large)
	4	11	583-1012	Stabilizer Rail (Small)
	5	14	580-2087	Vertical center section
	6	28	580-2260	Vertical End Cap
	7	10	580-2279	Side vertical end cap
	9	46	545-1001	Plastic coping
	10	12	589-1136	Bottom rail - stamped - L-18
	11	8	589-1201	Bottom rail - side - stamped L-S
	12	4	589-1135	Bottom rail - apex - stamped L-APEX
	13	8	583-1064	Side stabilizer rail
	14	220	330-1127	Sheet metal screw, #10 x 1/2"
	24	10	580-2055	Connector bracket
	25	10	580-1942	Stabilizer bracket
	—	1	573-4514	Pool Parts List
	—	1	573-3657	Installation Instructions
	—	1	— — —	Warranty Card
	—	1	573-3169	"Safety First" Booklet

TOP RAIL PACK # 1-1204-905-816				
	1	12	587-1413	Top Rail

TOP RAIL SIDE PACK # 1-1200-905-816				
	2	12	587-1414	Top Rail

TOP CONNECTOR PACK # 1-2400-903-816				
	8	24	340-2220	Top connector

VERTICAL PACK # 1-1800-904-806				
	26	28	580-2088	Vertical

SIDEWALL CARTON				
	37	1	1-1833-906-209	Sidewall
	38	1	535-1442	Protective Strip
	39	26	321-1029	1/4-20 Hex Flange Locknut
	40	26	330-1280	1/4-20 x 1/2" Grade 5 Bolt
	—	1	560-1055	Warning Sign
	—	1	573-3169	"Safety First" Booklet
	—	1	573-3498	Safety DVD

WRITE SIDEWALL NUMBER HERE _____

WRITE SIDEWALL BOX SERIAL NUMBER HERE _____

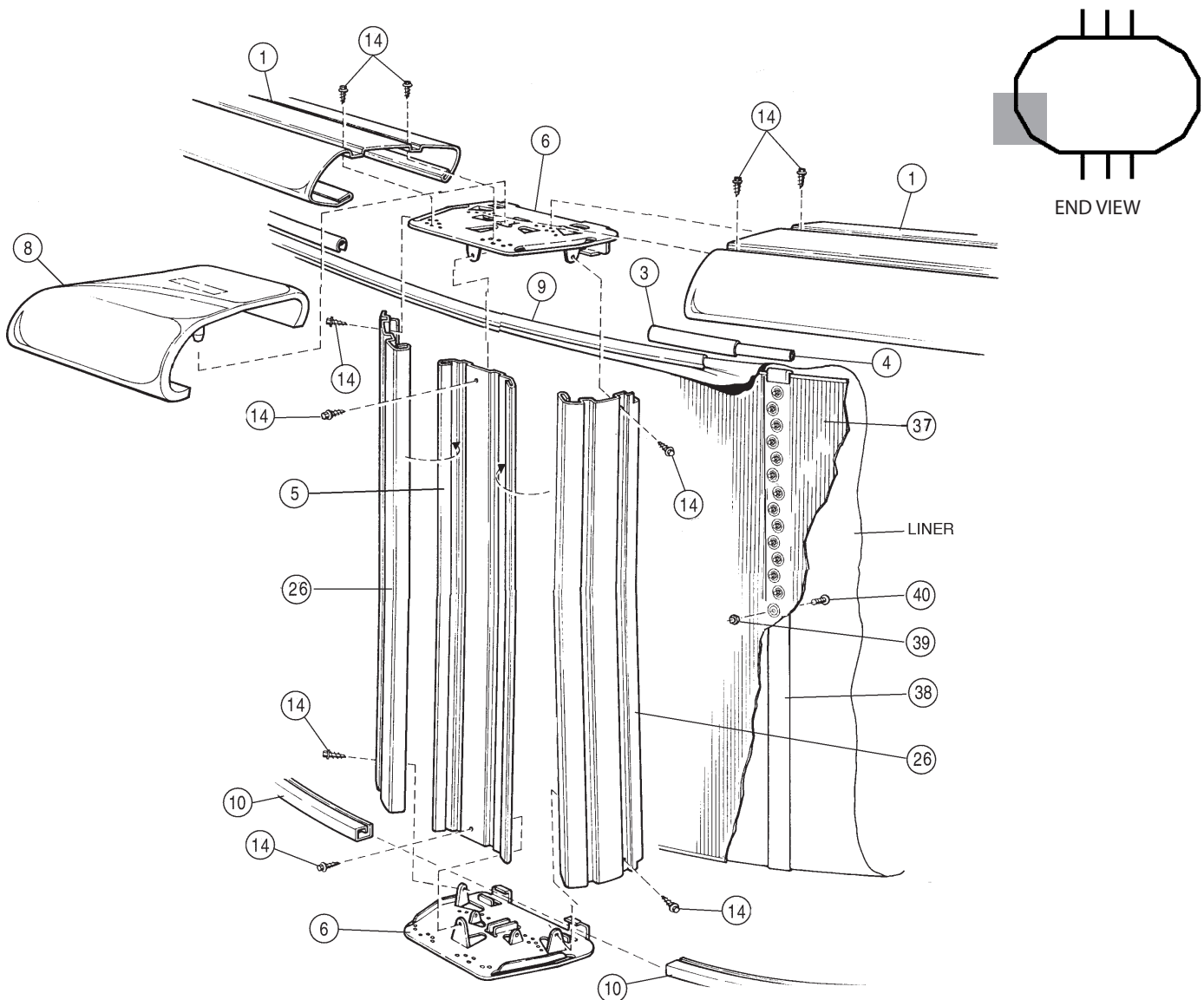
SUPPORT BASE PACK # 1-8888-004 & 1-8888-006 (1 ea. Required)

46	10	580-1779	Skid support
47	10	580-2071	Ground support - top
48	10	580-2072	Ground support - bottom
49	10	580-2083	Pressure pad
50	10	580-2082	Pressure pad
51	10	580-1792	Btm rail locator & cover
52	60	510-1035	#12x3/4" hex washer head screw
53	40	330-1220	3/8"-16 x 3-1/2" hex head bolt
54	40	321-1069	3/8-16 hex nut
55	40	510-1018	1/4-20 x 1/2" hex head bolt - grade 5
56	40	511-1000	1/4-20 hex nut
57	60	330-1127	Sheet metal screw, #10 x 1/2"

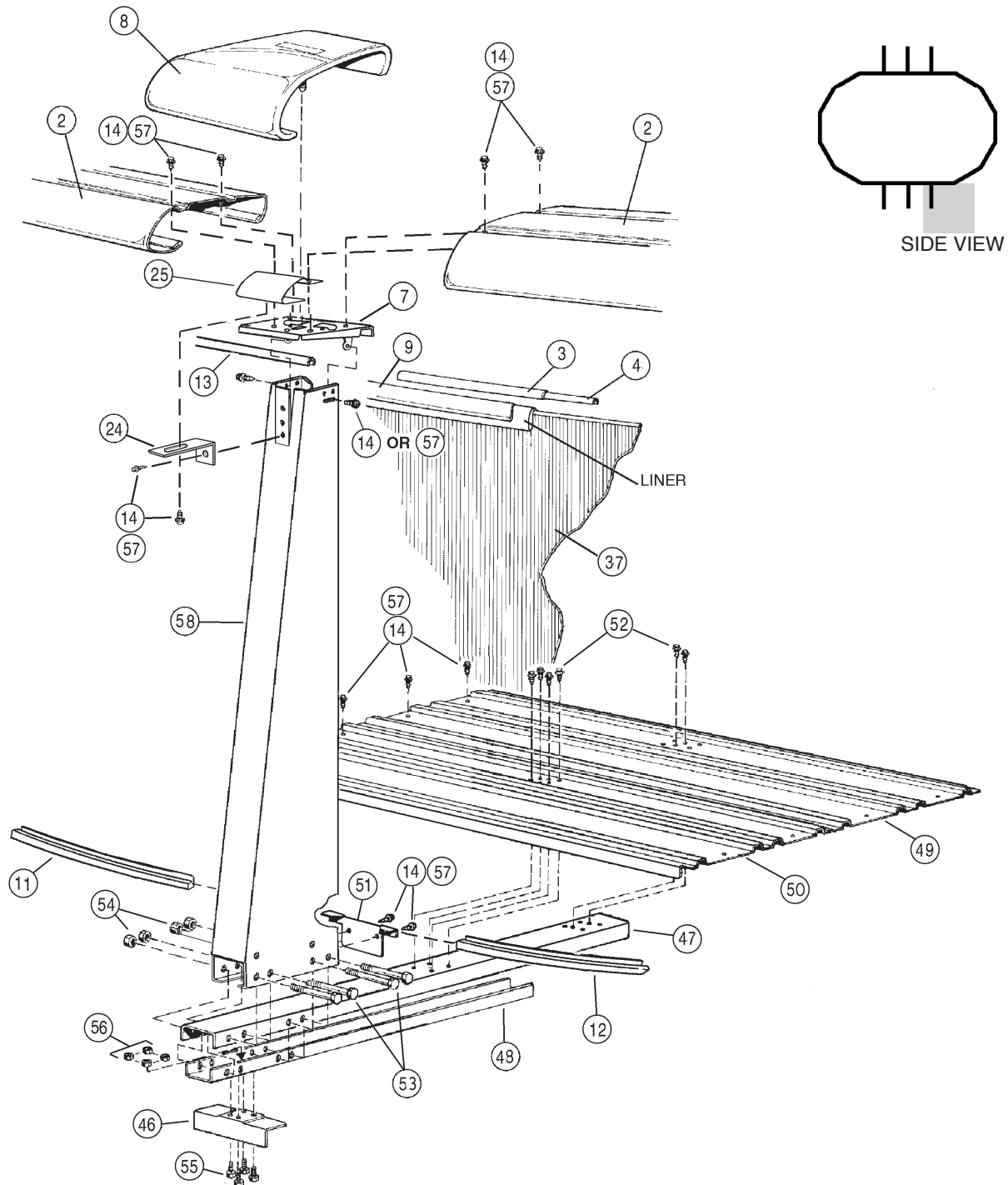
SIDE SUPPORT PACK # 1-1304-907 & 1-1306-907 (1 ea. Required)

58	10	580-2089	Side support
----	----	----------	--------------

EXPLODED PARTS VIEW



EXPLODED PARTS VIEW



Important! Above-ground pools are designed for swimming and wading only. Do not Dive or Jump! Misuse of your pool may result in crippling injury and/or other dangers to life and health. Do not use slides, diving boards, or any other platform or object which can be used for improper pool entry. Use only an above-ground swimming pool ladder or entry system to enter or exit your pool. Never attempt to swim or reach behind ladders or any other pool entry system. It is the pool owner's responsibility to secure the pool against unauthorized, unsupervised or unintentional entry. It is also the pool owner's responsibility to warn all pool users of the hazards of diving into shallow water: paralyzing injury may result. Always obey all safety rules. Remember, pool safety is everybody's responsibility.

Safety decals and caution information provided with your pool have been endorsed by the U.S. Consumer Product Safety Commission. It is mandatory that the pool owner and installer follow the installation and use directions for all provided safety signs and decals. Juveniles must be supervised at all times by a responsible adult as directed by the USCPSC.

Change of Design: The manufacturer (HII) expressly reserves the right to change or modify the design and construction of any product in due course of their manufacturing procedures, without incurring any obligation to furnish or install such changes or modifications on products previously or subsequently sold.