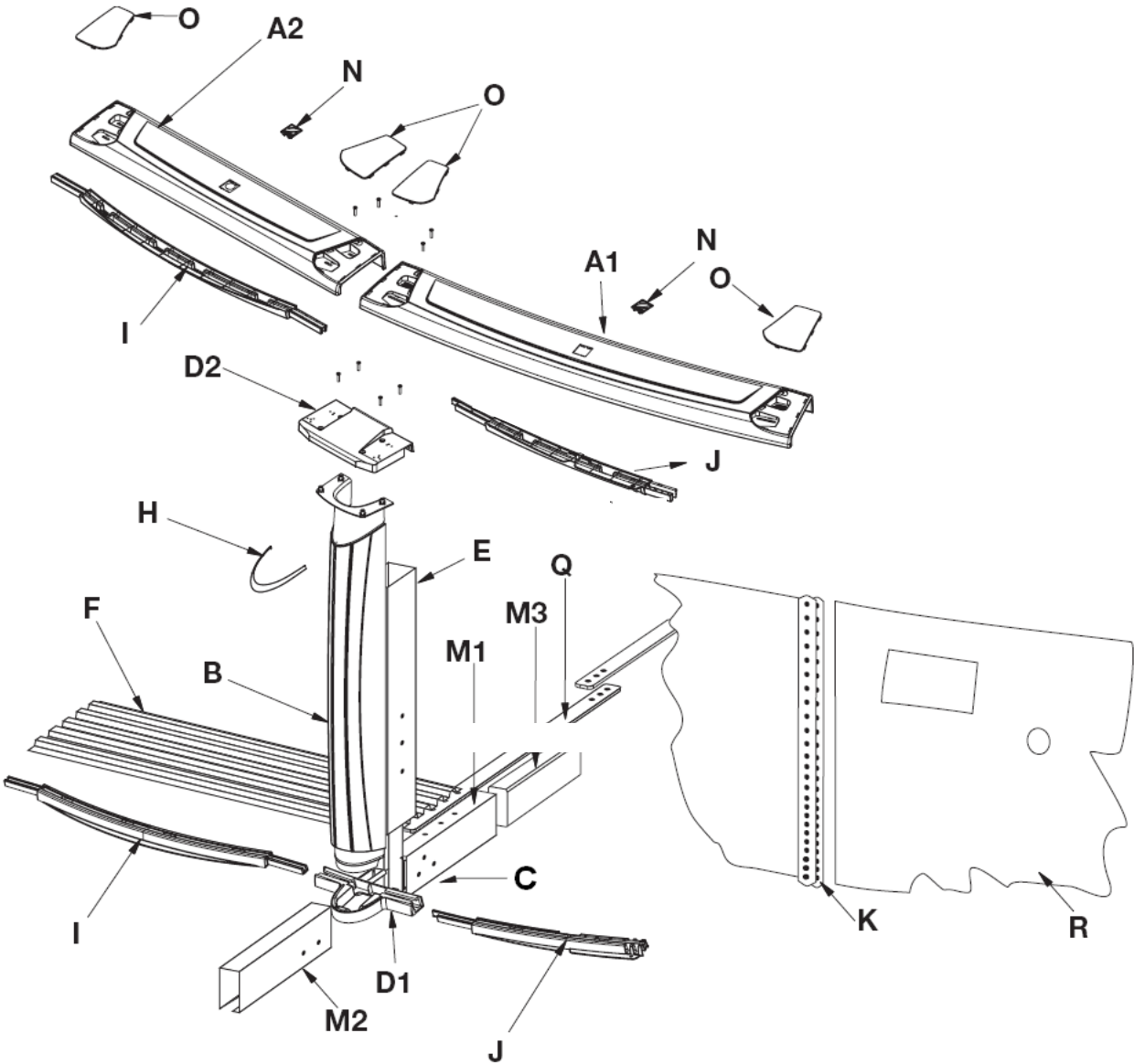


Azor RRR
PAZO-YE54RRRRRI10
Yard Extender
Oval



Product Description:**Azor Oval**

Revised Sept 2014

Product Code:**PAZO-YE54RRRRRI10**

				Quantity required for installation (by pool size)		
Index #	Description	Part #	Length	1530	1833	2143
A1	Top ledge (round sections)	CG761-001-R		10	12	14
A2	Top ledge (straight sections)	CG761-001-O		8	8	12
B	Upright	CG861-002-54	54,000"	18	20	26
C	T unit	20801		10	10	14
D1	Bottom plate	CG761-20852		18	20	26
D2	Top plate	CC761-20851		18	20	26
E	Vertical sleeve	20509	52,875"	10	10	14
F	Brace plate	20809	47,000"	8	8	12
H	Collar	SV761-007		18	20	26
I	Stabilizer/Bottom Rail (straight sections)	1514215	42,436"	16	16	24
J	Stabilizer/Bottom Rail (round section)	1525515	55,250"	16	20	24
	Stabilizer/Bottom Rail (trans. section)	1325315	54,125"	4	4	4
K	Steel bars	11825	54,000"	2	2	2
M1	Horizontal sleeve with pen nut	20810	17,000"	10	10	14
M2	Horizontal sleeve without pen nut	20802	17,000"	10	10	14
M3	Extruded polystyrene piece	1000100		10	10	14
N	Logo	SVLOGOM761-1		18	20	26
O	Ledge cover (left)	CC761-006-G		18	20	26
O	Ledge cover (right)	CC761-006-D		18	20	26
Q	Steel strap 26"	20526	26,000"		10	
Q	Steel strap 60"	20560	59,760"	15	15	28
R	Wall			1	1	1
	Hardware bag/wall	1050000054		1	1	1
	Hardware Kit braceless (4 "t")	SACSJF-4		1		2
	Hardware Kit braceless (6 "t")	SACSJF-6		1		1
	Hardware / braceless kit	SACIM1833			1	
	Bolt 1/4"-20 X 2 1/2"	B14X20X212		82	80	115
	Bolt 3/8"-16 X 3/4"	B38X16X34		62	90	87
	Nut 1/4"-20	N14X20		82	80	115
	Nut 3/8" X 16	N38X16S		32	60	45
	Assembly bag	SACRE1530		1		
	Assembly bag	SACRE1833			1	
	Assembly bag	SACRE2143				1
	Flat washer 10 X 3/4"	FW10X34S		75	84	110
	Screw 12X1 1/4"	VHL12X114S		75	84	110
	Screw 12X3/4"	VHL12X34S		75	84	110
	Instruction DVD	SACWBI36876		1	1	1

