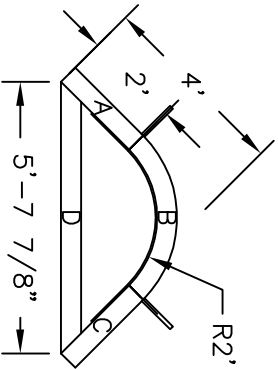




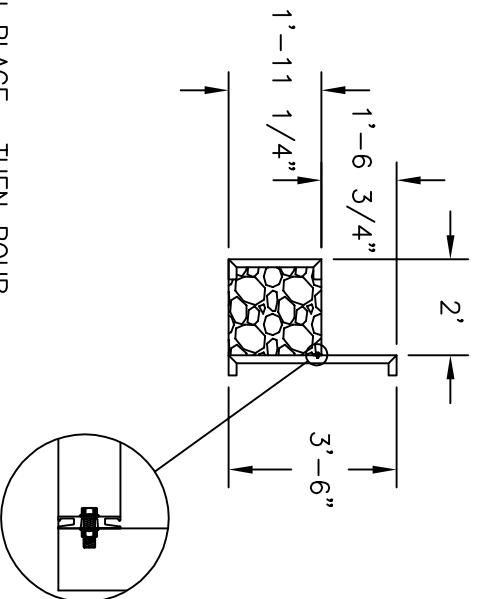
Name: 5' Poured Corner Bench w/ Liner Track

Number: B0577CP14220XX0

250 Route 61 South, Schuylkill Haven, PA 17972 • 570-385-4733 • fax: 570-385-1318 • CustomerService@CardinalSystemsinc.com



POSITION	PART NO.	QTY.	DESCRIPTION
A	BP0288	1	2'-0" BENCH PANEL
B	BP0290	1	3'-1 5/8" X 2'-0" RADIUS BENCH PANEL
C	BP0289	1	2'-0" BENCH PANEL
D	BP0291	1	5'-5 7/8" BENCH PANEL
E	LT0080	1	3'-1" X 2'-0" RADIUS LINER TRACK
F	LT0120	2	1'-2 1/4" LINER TRACK
	BP053ST	1	SMALL STEP BOLT PACK
	CS600OPT	2	A-FRAME ASSEMBLY
	CS608DH	2	18" DRIVE STAKE



NOTE:
USE REBAR HOLE LOCATIONS TO PIN WALL AND STEP DECK SUPPORTS IN PLACE. THEN POUR 4"-6" OF CONCRETE AROUND THESE AREAS AND UNDER THE ASSEMBLY FOR REINFORCEMENT

Drawn By: PATRICK

Date: 5/21/15

Scale: 1/4" = 1'-0"

Notes: -----

This information is the confidential property of Cardinal Systems, Inc. Disclosure or duplication without proper written approval is strictly prohibited. Acceptance and use of this drawing constitutes knowledge and acceptance by the user of the terms and conditions set forth in the notice and warning which accompanied this drawing is incorporated herein and made part hereof and is found on Cardinal Systems, Inc's website at www.CardinalSystemsinc.com



CardinalSystemsinc.com