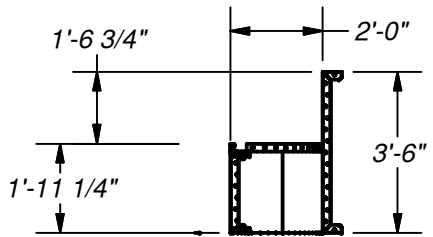
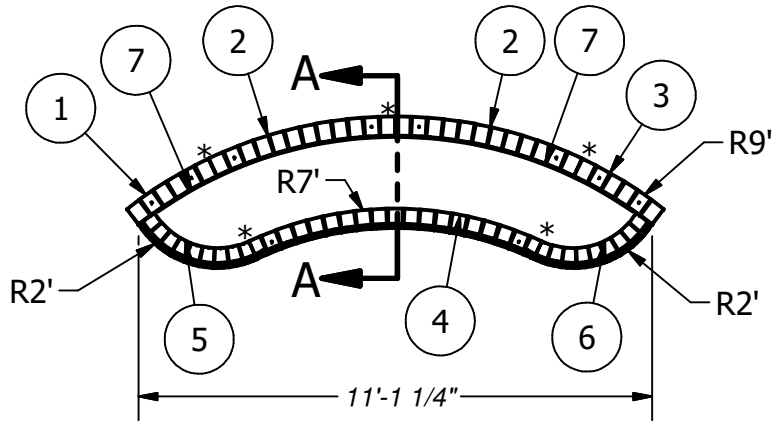




Name: 9' RADIUS POURED BENCH W/ LINER TRACK - SCREED EDGE

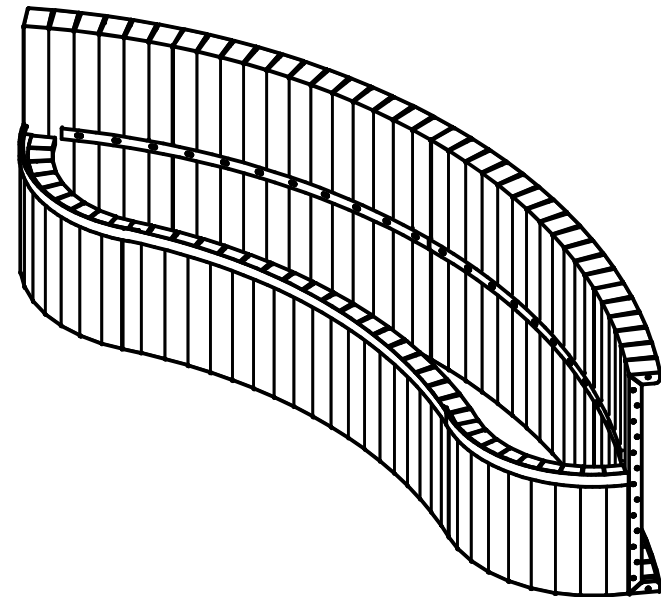
Number: B1203TP14290RX1

250 Route 61 South, Schuylkill Haven, PA 17972 • 570-385-4733 • fax: 570-385-1318 • CustomerService@CardinalSystemsinc.com



SECTION A-A
SCALE 1 / 50

PARTS LIST			
ITEM	PART NUMBER	QTY	DESCRIPTION
1	BP0969	1	2'-0" X 9'-0" RADIUS BENCH PANEL
2	BP1638	2	4'-0" X 9'-0" RADIUS BENCH PANEL
3	BP0970	1	2'-0" X 9'-0" RADIUS BENCH PANEL
4	PT5194	1	6'-2 3/8" X 7'-0" RADIUS POURED TREAD
5	PT2424	1	2'-11" X 2'-0" REV. RADIUS POURED TREAD
6	PT1762	1	2'-11" X 2'-0" REV. RADIUS POURED TREAD
7	LT1873	2	5'-6" X 9'-0" RADIUS LINER TRACK
8	SP0745-6N-3	1	BOX OF 3'-6'-0" NOTCHED SCREED EDGE
9	BP000TS	1	BOX OF TEK SCREWS
10	CS600OPT	3	A-FRAME ASSEMBLY
11	CS608DH	3	18" DRIVE STAKE
12	TS0060	2	2'-0" POURED TREAD SUPPORT
13	BP106ST	1	LARGE STEP BOLT PACK



NOTE:
USE REBAR HOLE LOCATIONS TO PIN WALL AND STEP DECK SUPPORTS IN PLACE. THEN POUR 4"-6" OF CONCRETE AROUND THESE AREAS AND UNDER THE ASSEMBLY FOR REINFORCEMENT

Drawn By: Shay

Date: 12/18/2017

Scale: 1 : 50

Notes: ST004985

This information is the confidential property of Cardinal Systems, Inc. Disclosure or duplication without proper written approval is strictly prohibited. Acceptance and use of this drawing constitutes knowledge and acceptance by the user of the terms and conditions set forth in the notice and warning which accompanied this drawing is incorporated herein and made part hereof and is found on Cardinal Systems, Inc's website at www.CardinalSystemsInc.com



CardinalSystemsInc.com