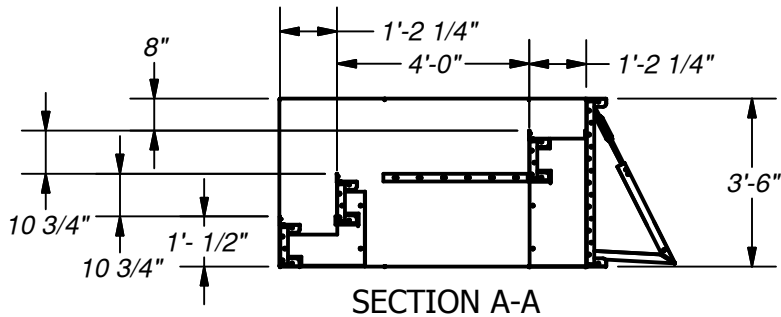
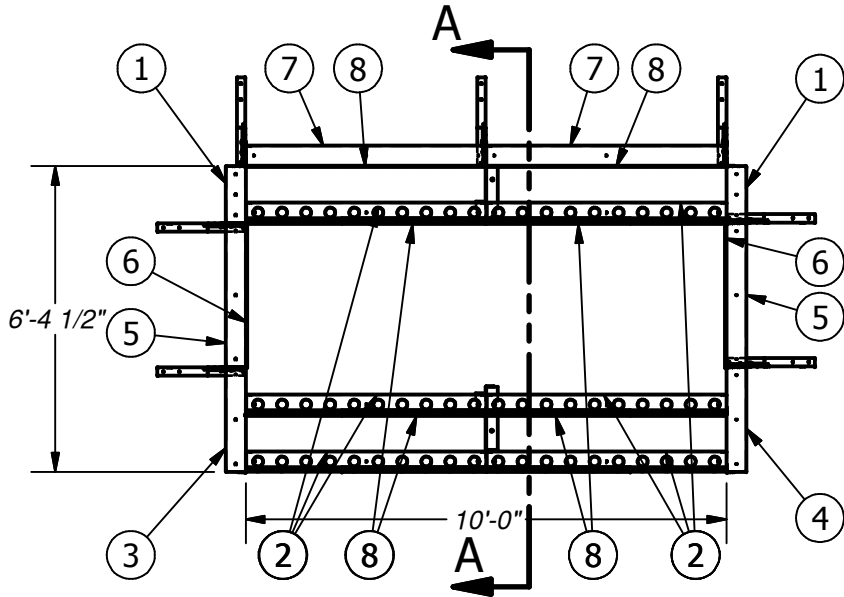




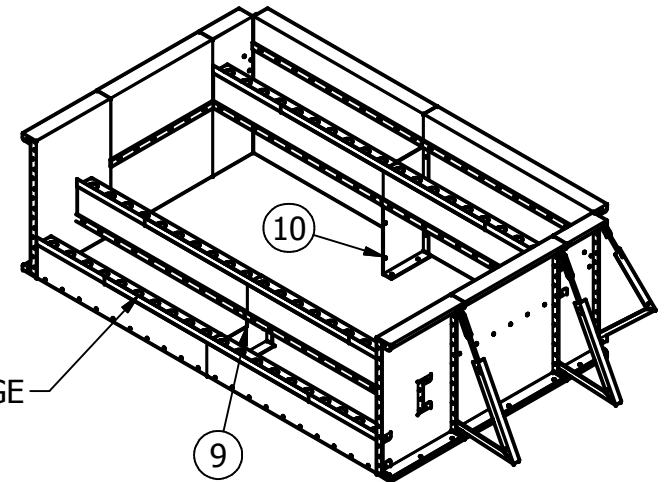
Name: 10'-0" POURED STEP/SUNDECK

Number: CST0CSPXXXDT4X4

250 Route 61 South, Schuylkill Haven, PA 17972 • 570-385-4733 • fax: 570-385-1318 • CustomerService@CardinalSystemsinc.com



PARTS LIST			
ITEM	PART NUMBER	QTY	DESCRIPTION
1	SP2552	2	1'-2 1/4" STEP PANEL
2	PT4653	6	5'-0" POURED TREAD
3	SP4192	1	2'-2 1/4" STEP PANEL
4	SP4193	1	2'-2 1/4" STEP PANEL
5	BP1474	2	3'-0" BENCH PANEL
6	LT0031	2	3'-0" LINER TRACK
7	PT0186	2	5'-0" STEP PANEL
8	LT0020	6	5'-0" LINER TRACK
9	TS0289	1	2'-0" BOTTOM TREAD SUPPORT
10	TS0290	1	1'-2 1/4" POURED TOP TREAD SUPPORT
11	CS600OPT	7	A-FRAME TURNBUCKLE ASSEMBLY
12	SP0745-8	6	5'-0" SCREED EDGE
	CS608DH	7	18" DRIVE STAKE
	CS902SA	2	SQUARE CORNER ANGLE
	CS903FC	2	FOAM CORNER INSERT
	BP106ST	1	LARGE STEP BOLT PACK
	BP000TS	1	BOX OF TEK SCREWS



NOTE:
USE REBAR HOLE LOCATIONS TO PIN WALL AND STEP DECK SUPPORTS IN PLACE. THEN POUR 4"-6" OF CONCRETE AROUND THESE AREAS AND UNDER THE ASSEMBLY FOR REINFORCEMENT

Drawn By: jschaeffer

Date: 12/11/2017

Scale: SCALE

Notes: NOTES

This information is the confidential property of Cardinal Systems, Inc. Disclosure or duplication without proper written approval is strictly prohibited. Acceptance and use of this drawing constitutes knowledge and acceptance by the user of the terms and conditions set forth in the notice and warning which accompanied this drawing is incorporated herein and made part hereof and is found on Cardinal Systems, Inc's website at www.CardinalSystemsInc.com



CardinalSystemsInc.com